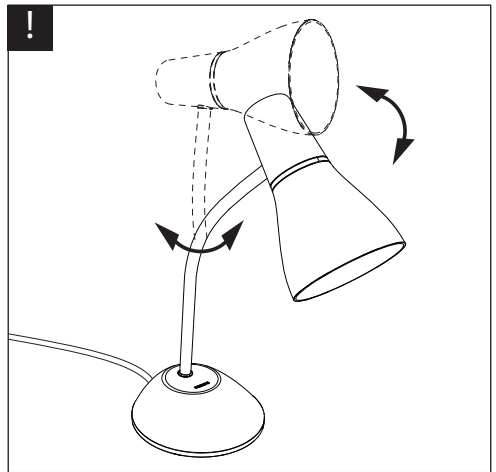
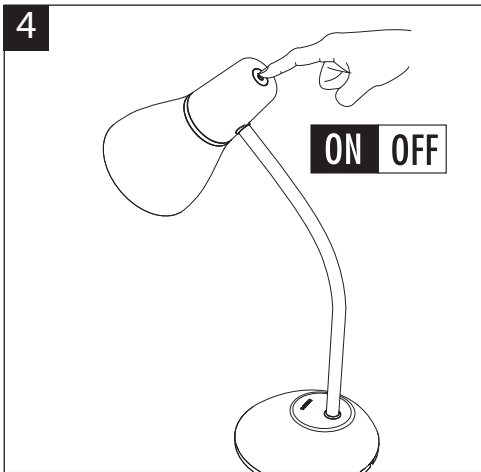
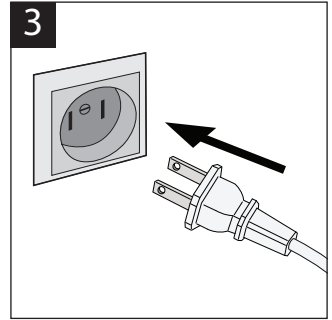
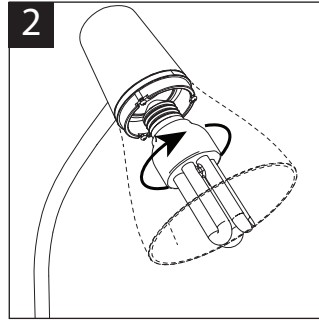
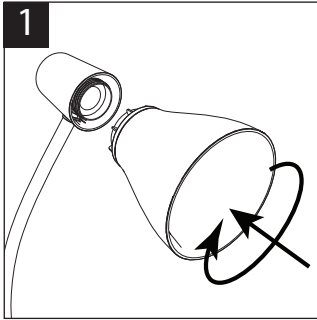
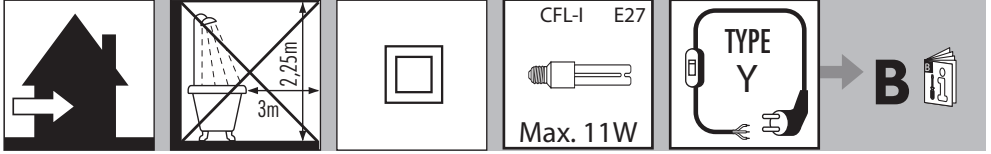




# PHILIPS

4404.017.0068  
Last update: 16/01/15



PHILIPS (CHINA) INVESTMENT CO., LTD.  
1602-1605, No. 218 Tian Mu Xi Road, Shanghai, PRC 200070.  
飞利浦(中国)投资有限公司  
上海市天目西路218号1602-1605 (邮编: 200070)