

READ AND UNDERSTAND THESE INSTRUCTIONS BEFORE INSTALLING FIXTURE

This fixture is intended for installation in accordance with the National Electrical Code and local regulations. To assure full compliance with local codes and regulations, check with your local electrical inspector before installation. To prevent electric shock, turn off electricity at fuse box before proceeding.
Retain these instructions for maintenance reference.

INSTRUCTION SHEET NO.

IS:CLV

A1099

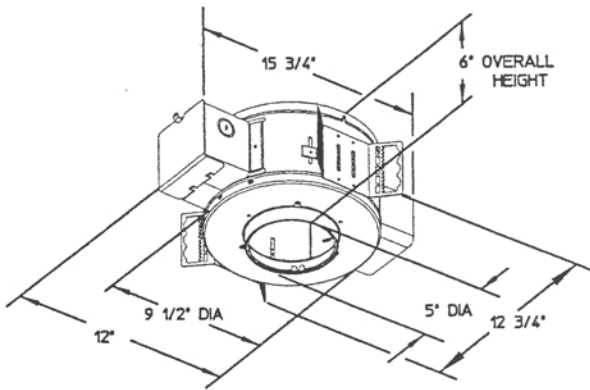
Page 1 of 4

**INSTALLATION PROCEDURE FOR CALCULITE® EVOLUTION:
C4LV, C4ALV, C6LV, C6ALV RECESSED LOW VOLTAGE FRAME-IN-KITS**

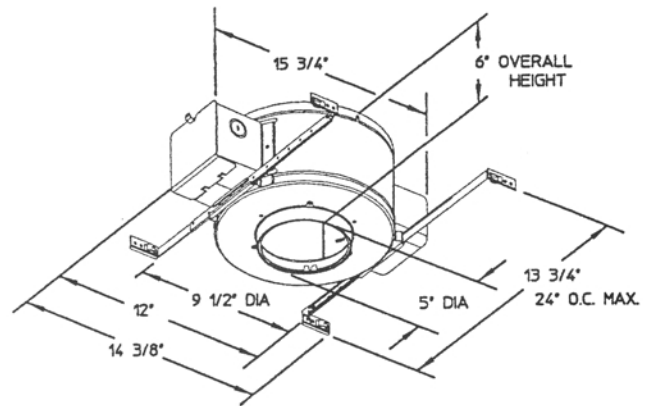
WARNING: (RISK OF FIRE) DO NOT INSTALL INSULATION WITHIN 3 INCHES OF FIXTURE SIDES OR WIRING COMPARTMENT, NOR ABOVE FIXTURE IN SUCH A MANNER SO AS TO ENTRAP HEAT.

WARNING: USE ONLY REFLECTOR TRIMS PROVIDED BY LIGHTOLIER. USE OF OTHER MANUFACTURERS' REFLECTOR TRIMS MAY VOID THE UNDERWRITERS LABORATORIES LISTING AND COULD CONSTITUTE A FIRE HAZARD.

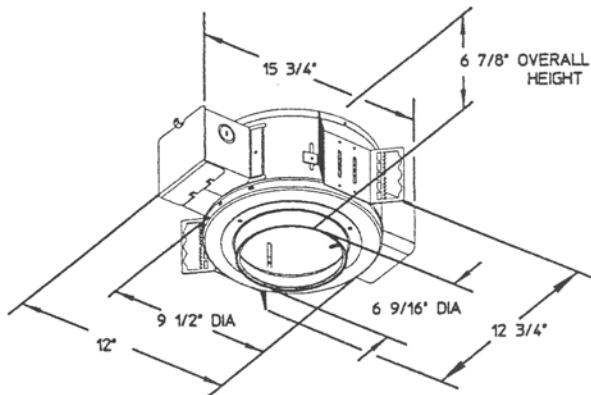
MODEL: C4LV



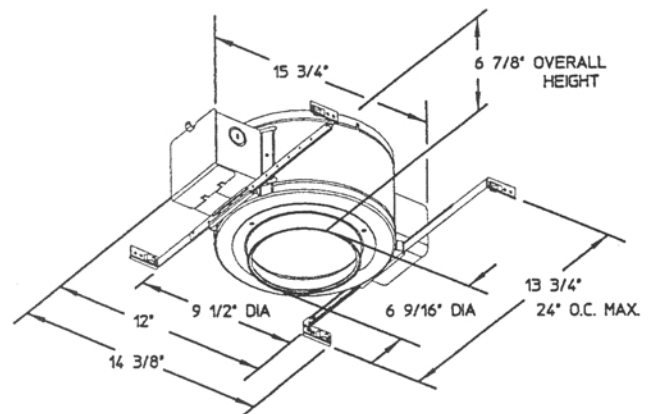
MODEL: C4ALV



MODEL: C6LV



MODEL: C6ALV



U.S. AND FOREIGN PATENTS PENDING

LIGHTOLIER® LIGHTOLIER a GENLYTE THOMAS company
631 Airport Road, Fall River, MA 02720

READ AND UNDERSTAND THESE INSTRUCTIONS BEFORE INSTALLING FIXTURE
 This fixture is intended for installation in accordance with the National Electrical Code and local regulations. To assure full compliance with local codes and regulations, check with your local electrical inspector before installation. To prevent electric shock, turn off electricity at fuse box before proceeding.
Retain these instructions for maintenance reference.

**INSTALLATION PROCEDURE FOR: C4LV, C6LV
 RECESSED LOW VOLTAGE FRAME-IN-KITS**

A. FRAME-IN AND WIRE-IN

1. Install MOUNTING FRAME using ADJUSTABLE MOUNTING BRACKETS (as shown below). Fixture must be secured to structural ceiling members. Plug blue lead (single connector) to black lead (single connector) for 120V (see Fig.10). For 277V supply plug blue lead (single connector) to red lead (single connector)(see Fig.10). Connect to supply leads: bare wire to supply ground, white wire to common supply lead, and black to 'hot' supply lead. Use wirenuts(local hardware items). Place all electrical connections in the J-BOX. Attach J-BOX COVER onto J-BOX.

a. With MOUNTING BARS (order separately) 18" - Cat. No. 1950; 27" - Cat. No. 1951, using rectangular slots as shown.

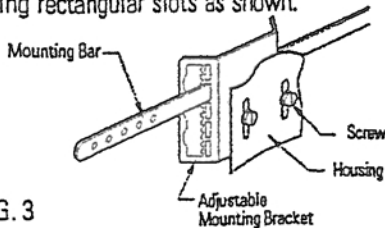


FIG. 3

b. With 1/2" (11/16" O.D.) EMT tubing (by others)

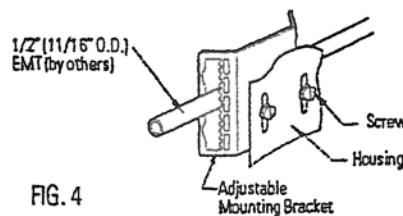


FIG. 4

c. With 3/4" or 1-1/2" CHANNELS (by others)

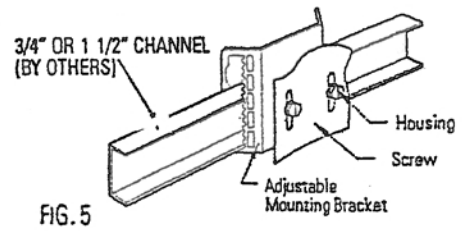


FIG. 5

For suspended T-bar ceilings, T-Bar ANCHOR CLIPS ACCESSORY NO. 1956 (order separately) may be used with 18", 27" MOUNTING BARS (Fig. 6) or simply wire MOUNTING BARS, TUBING, or CHANNELS to ceiling members (Fig. 7).

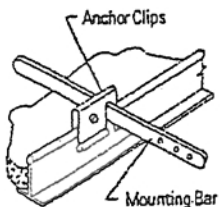


FIG. 6

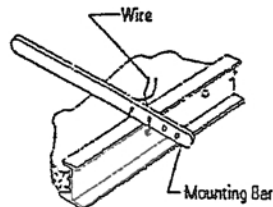


FIG. 7

For wood joist construction, MOUNTING BARS (order separately): 18"-Cat. No. 1950; 27"-Cat. No. 1951, may be used to secure HOUSING to joist. For 16" spaced joist, simply place FIXTURE between joists with MOUNTING BARS parallel with joists and use nails to secure it to the joists (See Fig. 8). For 24" spaced joists, bend MOUNTING BARS at appropriate points and use nails to secure them to the joists (See Fig. 9).

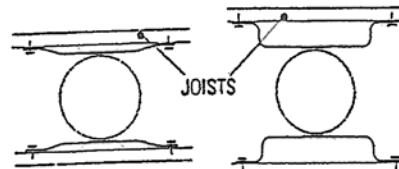


FIG. 8

Fig. 9

B. ADJUST MOUNTING FRAME

1. For Flangeless Trim, Plaster Ceiling. (Fig. 11) SET MOUNTING FRAME so that bottom edge is flush with finished ceiling, as shown. Maximum ceiling thickness, 3/4".
2. For Overlapping Trim, Plaster or Dry Ceiling. (Fig. 12) SET MOUNTING FRAME so bottom edge is flush with, or no higher than 1/4", above finished ceiling, as shown.

NOTE: Final vertical adjustment can be made by means of mounting bracket screws (Fig. 3 or 13) on inside or outside of housing.

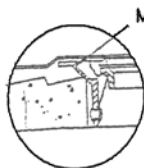


FIG. 11

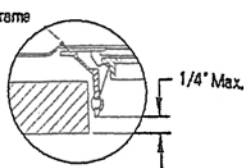


FIG. 12

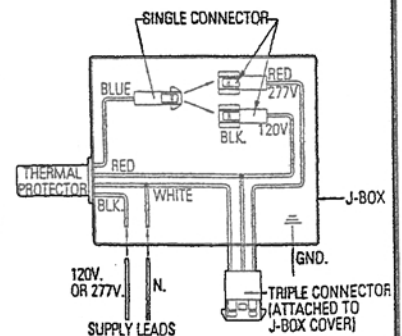


FIG. 10

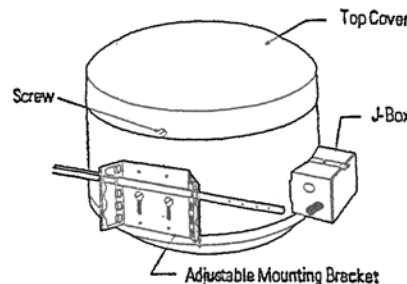


FIG. 13

U.S. AND FOREIGN PATENTS PENDING

READ AND UNDERSTAND THESE INSTRUCTIONS BEFORE INSTALLING FIXTURE

This fixture is intended for installation in accordance with the National Electrical Code and local regulations. To assure full compliance with local codes and regulations, check with your local electrical inspector before installation. To prevent electric shock, turn off electricity at fuse box before proceeding. Retain these instructions for maintenance reference.

INSTRUCTION SHEET NO.

IS:CLV

A1099

Page 3 of 4

**INSTALLATION PROCEDURE FOR: C4LV, C6LV
RECESSED LOW VOLTAGE FRAME-IN-KIT**

C. CLOSE-IN

Close in ceiling as required.

D. INSTALLING SOCKET HARNESS

E. INSTALLING HOUSING TRIMS

F. FIXTURE TRIM ADJUSTMENT

G. TOP RELAMPING (Fig. 12)

Loosen two screws and pull TOP COVER up.

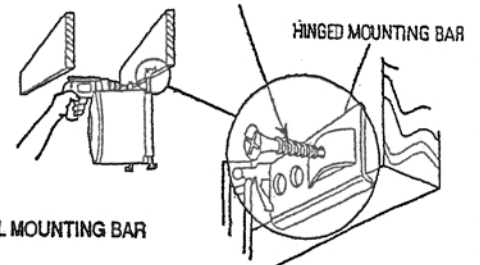
} SEE SEPARATE
REFLECTOR TRIM
INSTRUCTION
SHEETS

**INSTALLATION PROCEDURE FOR: C4ALV, C6ALV
RECESSED LOW VOLTAGE FRAME-IN-KIT**

FRAME-IN

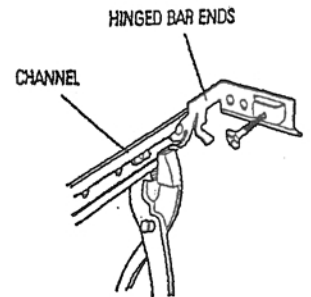
Locate fixture along joist and line up bottom edge of HINGED MOUNTING BAR with the bottom of joist and fasten in place.

Note: Integral nail version available



FOR JOIST SPACING LESS THAN 16" ON CENTER (TO 12" ON-CENTER),

- MOUNTING BAR CHANNELS can be shortened and used as nailing legs in tight spaces. Simply remove INNER BAR from holed CHANNEL, bend CHANNEL at appropriate point and use extra screw to secure it to the joist.

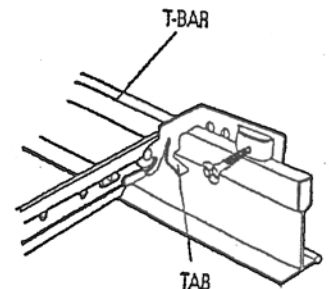
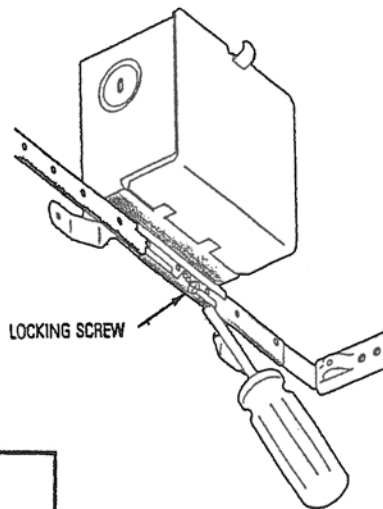


For suspended ceilings:

- Rotate HINGED BAR ENDS to position shown and fully extend bars.
- Crimp bottom of edge of CHANNEL to prevent rotation of HINGED BAR ENDS.
- Position notched area of MOUNTING BARS onto T-BAR and lock by bending TAB underneath T-BAR BEAD as shown.

WIRE-IN

Refer to A. FRAME-IN AND WIRE-IN (page 2).



SWING-UP

Extend MOUNTING BAR to reach opposite joist and fasten in place. Adjust fixture to desired position along MOUNTING BAR and lock in place using locking screw.

AIRSEAL® INSTALLATION (optional)

Install a bead of silicone caulking compound between the ceiling opening and edge of HOUSING. Housings are tested in accordance with ASTM E 283 (max 2 cfm @ 75 pa) and comply with WSEC & MEC when installed as instructed.

U.S. AND FOREIGN PATENTS PENDING

LIGHTOLIER®

LIGHTOLIER a GENLYTE THOMAS company.

631 Airport Road, Fall River, MA 02720

READ AND UNDERSTAND THESE INSTRUCTIONS BEFORE INSTALLING FIXTURE

This fixture is intended for installation in accordance with the National Electrical Code and local regulations. To assure full compliance with local codes and regulations, check with your local electrical inspector before installation. To prevent electric shock, turn off electricity at fuse box before proceeding.

Retain these instructions for maintenance reference.

INSTALLATION PROCEDURE FOR: C4ALV, C6ALV RECESSED LOW VOLTAGE FRAME-IN-KIT

CLOSE-IN

Close in ceiling as required.

INSTALLING SOCKET HARNESS

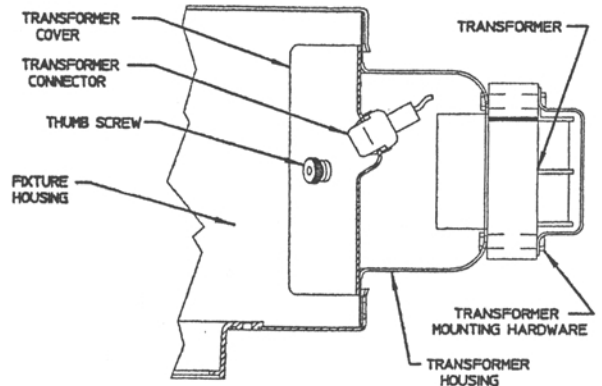
INSTALLING HOUSING TRIMS

FIXTURE TRIM ADJUSTMENT

SEE SEPARATE
REFLECTOR TRIM
INSTRUCTION
SHEETS

TRANSFORMER REPLACEMENT

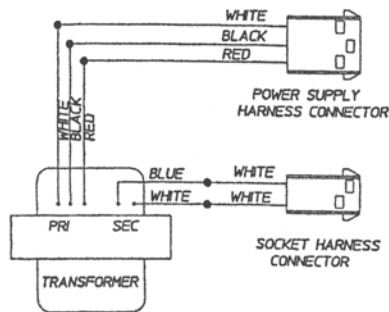
- Make sure power to fixture is off.
- Remove REFLECTOR TRIM from ceiling by twisting counter-clockwise and pulling down.
- Disconnect & remove SOCKET HARNESS from TRANSFORMER ASSEMBLY.
- Disconnect POWER SUPPLY HARNESS: For MODELS C4LV and C4ALV disconnect harness at TRANSFORMER COVER. For MODELS C6LV and C6ALV disconnect harness from junction box assembly (opposite side of fixture from TRANSFORMER ASSEMBLY).
- Remove (2) THUMB SCREWS.
- Remove TRANSFORMER COVER from THUMB SCREW studs.
- Pull TRANSFORMER ASSEMBLY and TRANSFORMER COVER into FIXTURE HOUSING and out through aperture opening.
- Disconnect TRANSFORMER wiring from TRANSFORMER CONNECTORS. Refer to TRANSFORMER WIRING DIAGRAMS shown below for your particular MODEL AS INDICATED.
- Remove TRANSFORMER MOUNTING HARDWARE and discard faulty TRANSFORMER.
- Install new TRANSFORMER in reverse order of removal.



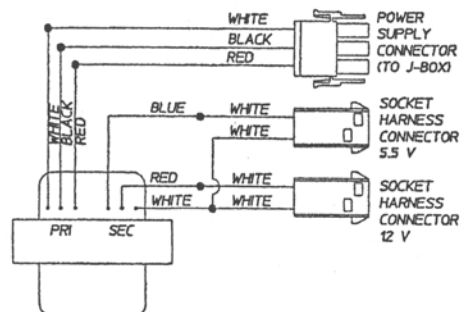
TRANSFORMER ASSEMBLY

NOTE: 1. LOW VOLTAGE FIXTURES should be dimmed only with special dimmers intended specifically for that purpose. Use Lightolier Lytemode, Scenist, Crescendo VA, Neptune VA, Precision VA, Easyset VA, Sunrise VA, Radiant VA or equivalent products by others or variable autotransformers or electronic dimmers intended for use with low voltage fixtures.
2. Low voltage fixtures produce audible sound which may be objectionable in acoustically critical areas.

Warning: Risk of fire. Use only replacement TRANSFORMER obtained from LIGHTOLIER.



TRANSFORMER WIRING DIAGRAM
MODELS C4LV and C4ALV



TRANSFORMER WIRING DIAGRAM
MODELS C6LV and C6ALV

U.S. AND FOREIGN PATENTS PENDING