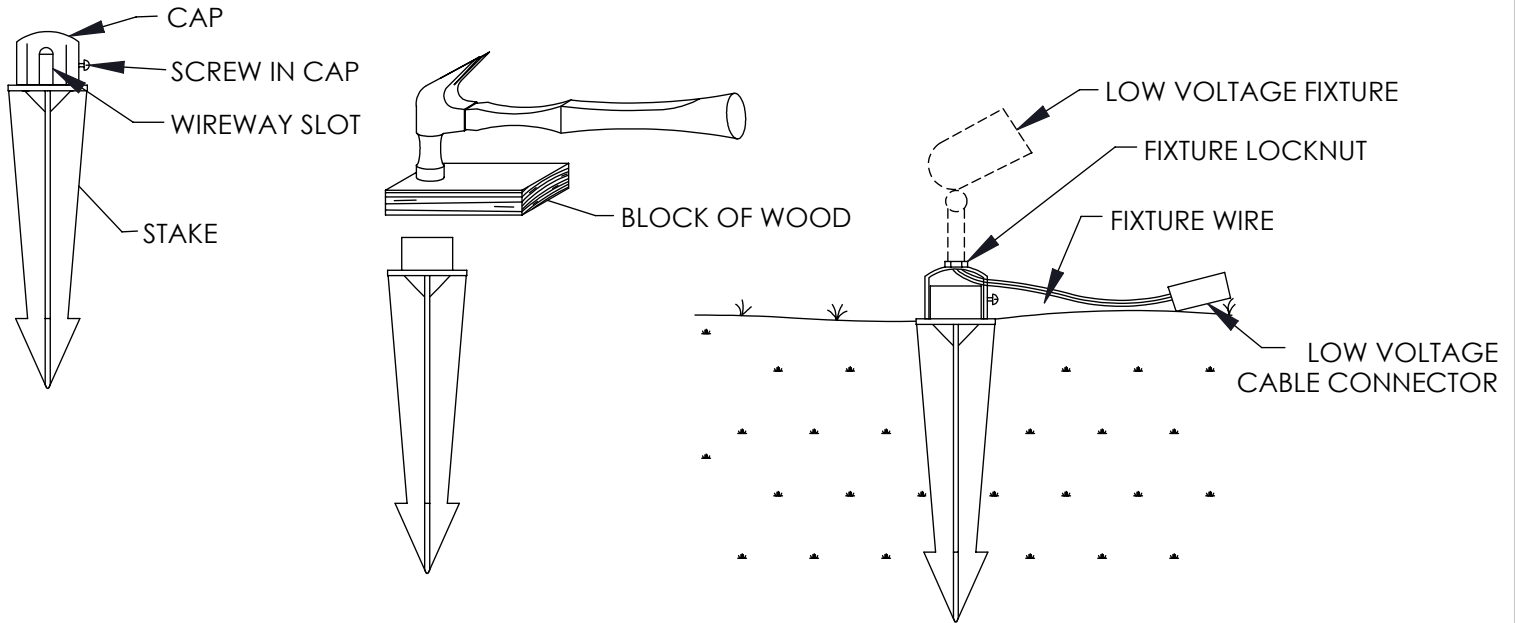


INSTALLATION INSTRUCTIONS: S7 OR S8 LOW VOLTAGE MOUNTING STAKE



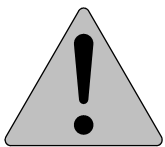
This fixture is intended for installation in accordance with the National Electrical Code and local code specifications. Failure to adhere to these codes and instructions may result in serious injury and/or damage to the ballast and void the warranty. These instructions do not purport to cover all details or variations in equipment, nor to provide for every possible contingency related to installation, operation, maintenance, or mounting situation. Should specific problems occur that are not addressed by these instructions, contact your Sales Representative or distributor for assistance. Retain these instructions for future reference.



SAFETY WARNING:

ALWAYS TURN FIXTURE OFF/DISCONNECT POWER AND ALLOW TO COOL BEFORE PERFORMING ANY MAINTENANCE, INCLUDING RELAMPING AND CLEANING!

This fixture can become very HOT! The fixture housing and lens, especially if it is glass, can become hot enough to blister hands. Attention should be paid to where the fixture is mounted, particularly if it can be touched by children or pets. To help prevent premature failure, decreased performance, overheating and risk of fire, keep fixture and lens clean and free of leaves, mulch, debris and mineral deposits from water. The fixture and lens can be cleaned using a soft cloth and a solution of mild liquid soap and warm water. Wipe clean and dry with a soft, lint-free dry cloth. Avoid polishing fixture or lens.



INSTRUCTIONS PERTAINING TO A RISK OF FIRE OR INJURY TO PERSONS IMPORTANT SAFETY INSTRUCTIONS - SAVE THESE INSTRUCTIONS!

WARNING - Lamp gets HOT quickly! To reduce the risk of FIRE OR INJURY TO PERSONS:

Do not operate fixture with a missing or damaged lens/lens assembly.

Contact only switch or plug when turning fixture on or off. Do NOT touch hot lens or housing.

Turn off or unplug fixture and allow to cool before relamping. Keep lamp away from combustibles.

Do NOT touch lamp with bare hands at any time, use a soft cloth as oil from skin may damage lamp.

READ THESE INSTRUCTIONS CAREFULLY BEFORE INSTALLING THIS STAKE.

This stake is intended for installation in accordance with the National Electrical Code and local code specifications. Failure to adhere to these codes and instructions may result in serious injury and/or damage to the stake, and will void the warranty. These instructions cover most installation applications. For any special applications not covered, please contact your distributor for assistance.

INSTALLATION INSTRUCTIONS

1. Loosen screw on side of cap and remove cap from stake.
2. For installations in soft soil: The stake can be installed without excavating the soil. To prevent the top of the stake from flaring out when striking, place a block of wood on top of the stake and drive the stake into the ground by striking the wood with a hammer.
3. For installations in hard or rocky soil: Dig a hole for the stake. Place stake in hole with the top cylinder of the stake above ground level. Hold the stake straight while backfilling and compacting the soil.
4. Screw the cap onto the fixture and tighten the fixture's locknut against the top of the cap.
5. Install the fixture and cap onto the top of the stake. Fixture wire exits through wire-way slot in cap. Turn the fixture until it is in the correct position. Tighten the screw on the side of the cap.
6. Connect fixture wire to low voltage cable per the installation instructions for the fixture.
7. Warning: This stake is for use with low voltage fixtures only.

