

# Stonco

by  Signify



## Wall Mount

Low profile wall

15W, 30W, and 50W



Project: \_\_\_\_\_

Location: \_\_\_\_\_

Cat.No: \_\_\_\_\_

Type: \_\_\_\_\_

Lamps: \_\_\_\_\_ Qty: \_\_\_\_\_

Notes: \_\_\_\_\_

Stonco Low Profile Wall Mount features a discreet design that will complement any building exterior. Three sizes are available in 15, 30 and 50W output to accommodate multiple mounting heights. Low Profile Wall delivers up to 110 lumens per watt for excellent energy savings over HID.

### Ordering guide

Example: PW-50-NW-G1-8-BZ

Luminaire	Wattage	LED Color – Generation	Voltage	Finish
<b>PW</b>		<b>NW-G1</b>	<b>8</b>	<b>BZ</b>
PW Low Profile Wall	15 15W 30 30W 50 50W	NW-G1 Neutral White, 4000K, 80 CRI, Generation 1	8 120-277 Volts	BZ Bronze

### Specifications

#### Housing

Die-cast aluminum housing with UV stabilized polycarbonate lens mounted with stainless steel hardware.

#### IP Rating

LED light engine is weather proof rated IP65.

#### Electrical

Electrical Driver efficiency (>90% at full load). Available in 120-277V. IP65 compliant driver. RoHS compliant. Surge protector standard. 10KA per ANSI/IEEE C62.41.2.

#### LED Board and Array

24, 48, and 80 LEDs. Color temperature 4000K, +/- 500K. Minimum CRI of 80. Aluminum metal clad board with midpower LED chips.

#### Optical System

Direct mid-power LED distribution with white reflective plate. Optical system is designed for zero uplight. Light engine is weather protected with silicone sealed clear glass.

#### Mounting

Mounts to standard 3 1/2" to 4" square and octagonal or 4 inch round electrical junction boxes.

#### Energy Saving Benefits

System efficacy up to 110lm/W with significant energy savings over Pulse Start Metal Halide luminaires.

#### Listings

UL/cUL listed to the UL 1598 standard, suitable for Wet Locations. Suitable for use in ambient from -30° to 40°C (-22° to 104°F). All product configurations are DesignLights Consortium® qualified.

#### Finish

Each luminaire receives a fade and abrasion resistant, electrostatically applied, thermally cured, triglycidal isocyanurate (TGIC) textured polyester powdercoat finish. Standard color is bronze (BZ).

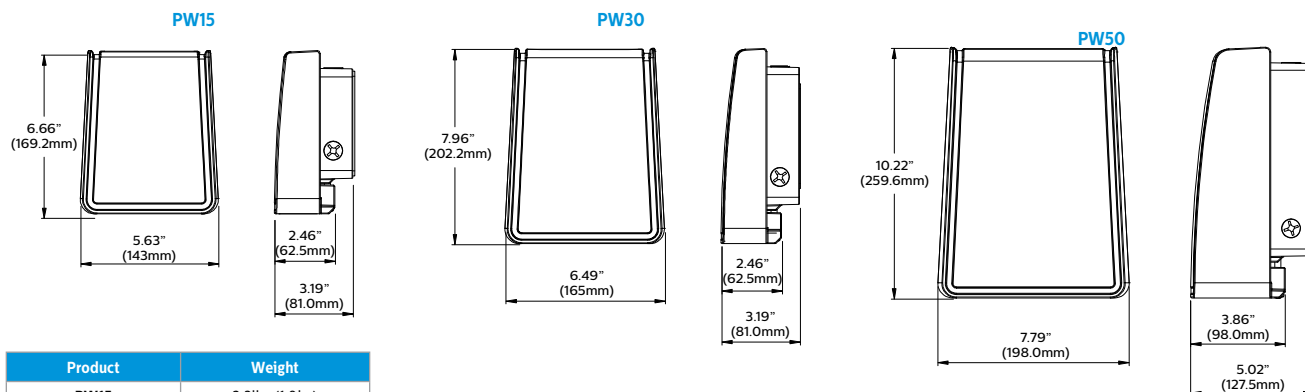
#### Limited Warranty

Luminaires are all covered by a 5-year limited warranty. See [philips.com/warranties](http://philips.com/warranties) for details.



# PW LED low profile wall

## Dimensions



Product	Weight
<b>PW15</b>	2.3lbs (1.0kg)
<b>PW30</b>	2.9lbs (1.3kg)
<b>PW50</b>	5.3lbs (2.4kg)

## LED Wattage and Lumen Values

Ordering Codes	Total LEDs	System Current (mA)	Color Temp. (K)	Average System Wattage <sup>1</sup>	Type 2		
					Lumen Output <sup>2</sup>	BUG Rating	Efficacy (LPW)
<b>PW15-NW-G1</b>	24	700	4000K	15	1656	B1-UO-G0	110
<b>PW30-NW-G1</b>	48	1000	4000K	30	3090	B2-UO-G1	103
<b>PW50-NW-G1</b>	80	1400	4000K	51	5114	B2-UO-G1	100

1. Wattage and lumen output may vary due to LED manufacturer forward volt specification and ambient temperature. Wattage shown is average for 120V through 277V input. Measured wattage may vary due to variation in input voltage.
2. Lumen values based on photometric tests performed in compliance with IESNA LM-79. Contact [outdoorlighting.applications@philips.com](mailto:outdoorlighting.applications@philips.com) for details or additional information

## Predicted Lumen Depreciation Data

Predicted performance derived from LED manufacturer's data and engineering design estimates, based on IESNA LM-80 methodology. Actual experience may vary due to field application conditions. L70 is the predicted time when LED performance depreciates to 70% of initial lumen output. Calculated per IESNA TM21-11. Published L70 hours limited to 6 times actual LED test hours.

Ordering Codes	Ambient Temperature °C	LED Current	System Current	L <sub>70</sub> Per TM-21 <sup>2,3</sup>	Lumen Maintenance % @ 50,000hrs <sup>1</sup>
<b>PW15-NW-G1</b>	25 °C	65mA	700mA	> 54,000	77%
<b>PW30-NW-G1</b>	25 °C	65mA	1000mA	> 54,000	77%
<b>PW50-NW-G1</b>	25 °C	65mA	1400mA	> 54,000	76%

1. Predicted performance derived from LED manufacturer's data and engineering design estimates, based on IESNA LM-80 methodology. Actual experience may vary due to field application conditions.
2. L70 is the predicted time when LED performance depreciates to 70% of initial lumen output.
3. Calculated per IESNA TM 21-11. Published L<sub>70</sub> hours limited to 6 times actual LED test hours

