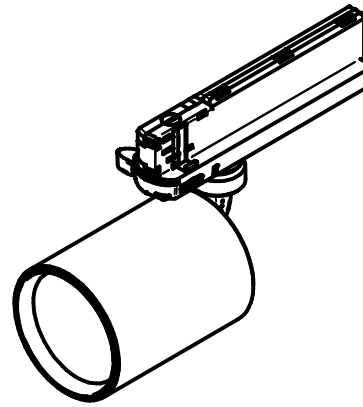



PHILIPS

TrueFashion
Compact
Driver -In-Track

ST712T

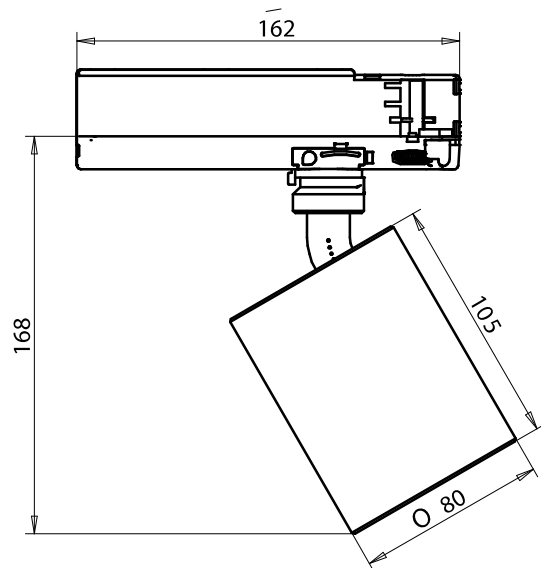
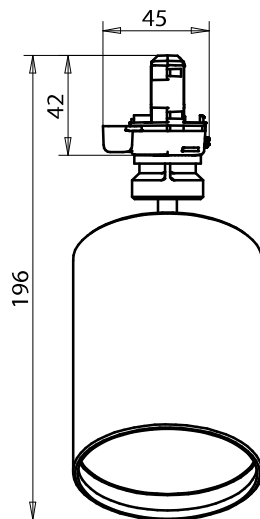
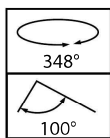


| Housing | Lumen package | Color temperature [K] |  | CoB type | Driver type |
|---|---------------|-----------------------|---|-----------|-------------|
| ST712T | LED17S | PW9-3000 | 0,52 | 1203 L2C5 | PSU |
| TrueFashion Compact Driver-in-Track | LED20S | PW9-3500 | 0,52 | 1203 L2C5 | PSU |
| | | PW9-4000 | 0,52 | 1203 L2C5 | PSU |
| | LED24S | PW9-3000 | 0,61 | 1208 L2C5 | PSU |
| | LED27S | PW9-3500 | 0,61 | 1208 L2C5 | PSU |
| | LED27S | W9-4000 | 0,61 | 1208 L2C5 | PSU |

Product Info Label

Main dimensions

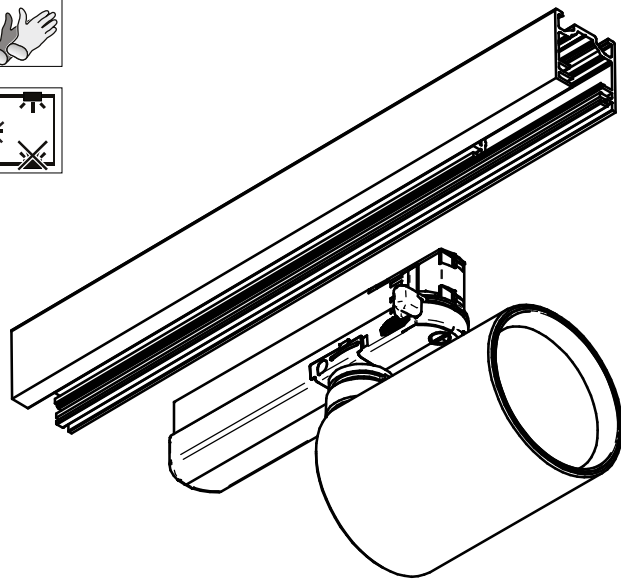
ST712T - Mini



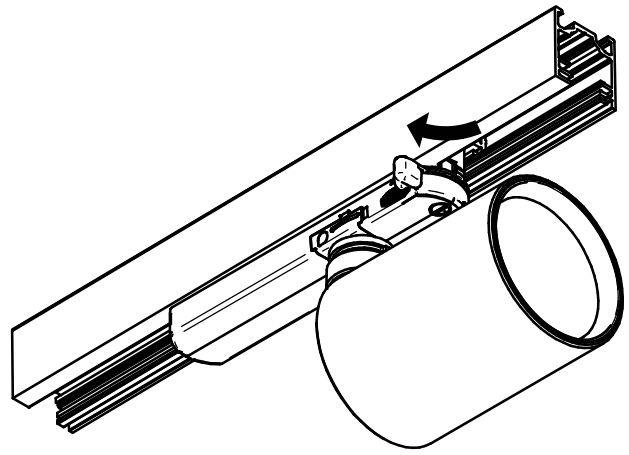
NOTE: LUMINAIRES MUST BE INSTALLED OVER ARM REACH DISTANCE/HEIGHT.
THE SPOT HEAD ADJUSTMENT CAN BE DONE ONLY AFTER THE LUMINAIRE IS COOLED DOWN!



ST712T installation

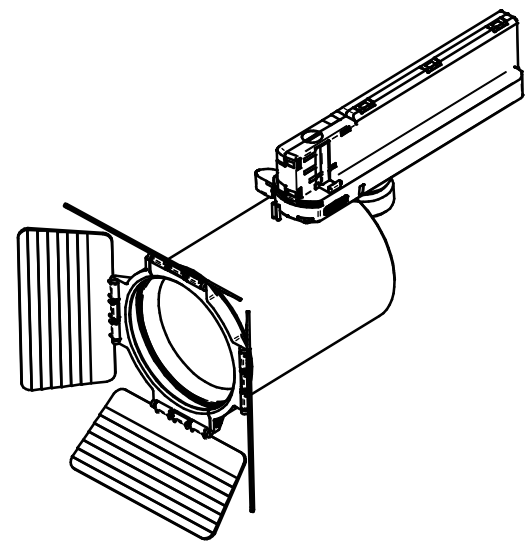
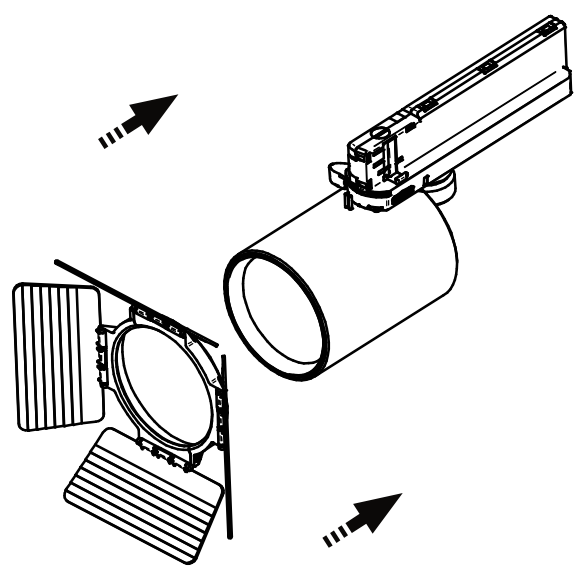


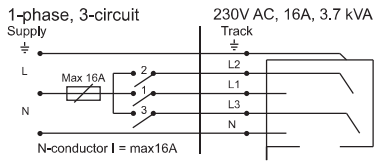
1



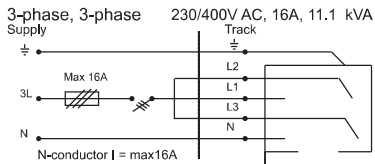
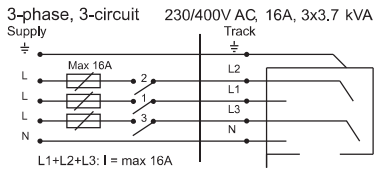
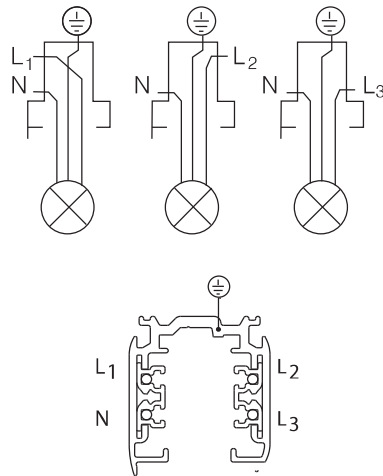
2

ST710Z BD Accessory installation

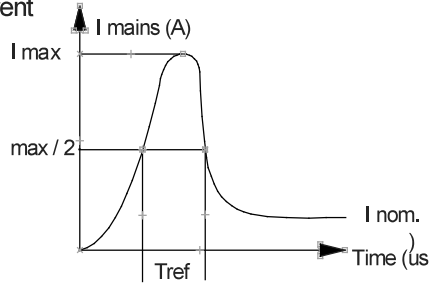




GA 69 & GAC69 Dali - 230 V, 6A



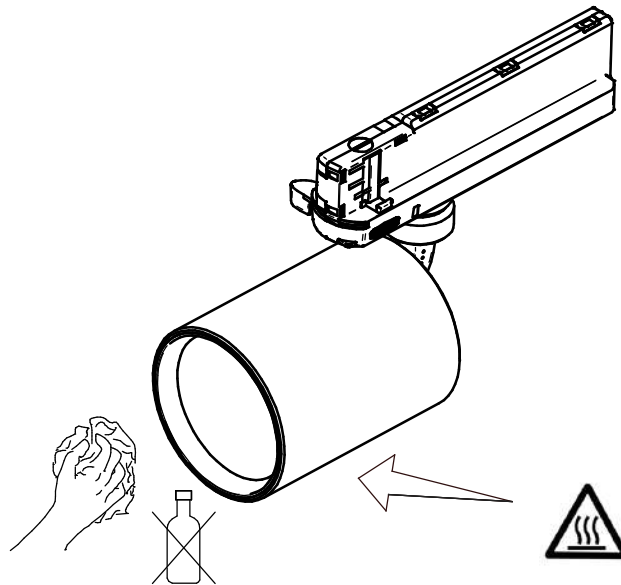
Inrush current



| CA/TRACK ADAPTER GA17 DRIVER IN TRACK | |
|--|------------------------|
| I _{peak} [A] | 5 |
| T _{ref} [us] | 50 |
| MCB | Max products 1 pcs* |
| B-16 A type B | 50 |



Only with soft cloths!



**LUMINAIRES MUST BE INSTALLED
OUT OF ARM REACH DISTANCE/HEIGHT!**
THE SPOT HEAD CAN BE PERCEIVED AS HOT.
ADJUST THE SPOTHEAD AFTER THE LUMINAIRE IS COOLED DOWN
OR WHEN USING HEAT INSULATING GLOVES.
LUMINAIRE CAN NOT BE OPENED, LIGHTSOURCE CANNOT BE REPLACED!



© 2018 Signify Holding.
All rights reserved. This document contains information relating to the product portfolio of Signify which information may be subject to change. No representation or warranty as to the accuracy or completeness of the information included herein is given and any liability for any action in reliance thereon is disclaimed. The information presented in this document is not intended as any commercial offer and does not form part of any quotation or contract. Philips and the Philips Shield Emblem are registered trademarks of Koninklijke Philips N.V. All other trademarks are owned by Signify Holding or their respective owners.

Signify Holding.
The Netherlands