

GreenUp Accent

ST391T

Mounting Instruction/安裝說明書

444100006301


CNS
14335



IP20



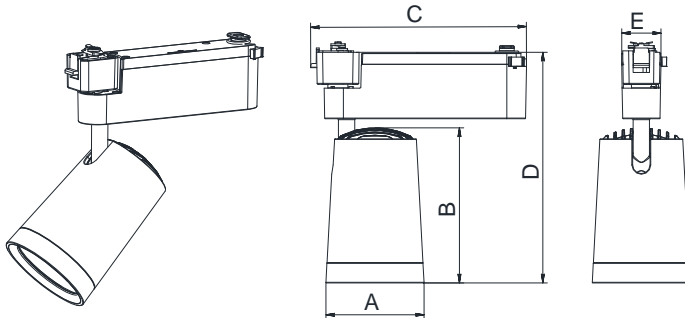
室內照明用

Type Number 產品型號	Power 功率	Light Source 光源	CCT 色溫	Beam Angle 光束角度	
ST391T LED10/XYX PSU-E ZZ TW	11.5 W	LED	3000K/4000K	NB/MB/WB	0.68
ST391T LED20/XYX PSU-E ZZ TW	25.5 W	LED	3000K/4000K	NB/MB/WB	0.68
ST391T LED30/XYX PSU-E ZZ TW	37 W	LED	3000K/4000K	NB/MB/WB	1.1

注：X代表顯色指數，8=CRI80、9=CRI90；YY代表色溫，30=3000K、40=4000K；ZZ代表光束角，NB=窄角、MB=中角、WB=寬角。

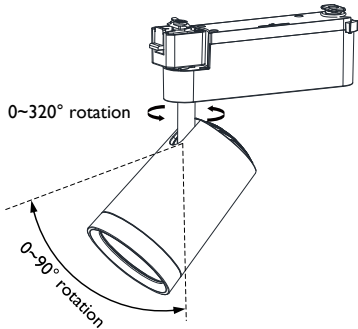
Dimension 燈具尺寸

Unit: mm / 單位: 毫米



Dimension 尺寸	ST391T LED10/20	ST391T LED30
A	Φ72	Φ90
B	117	142
C	178	198
D	189	213
E	36	36

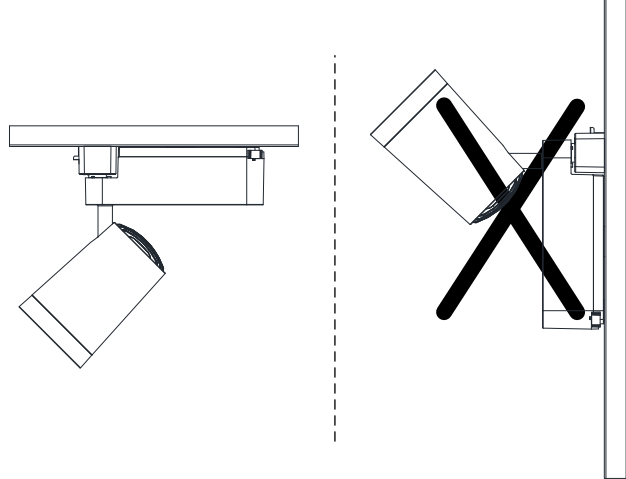
Rotation indication 角度調節



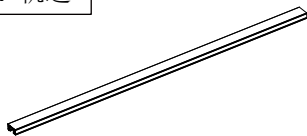
Please adjust the light direction when the power is off.
請在未通電時調節燈具照射角度。

Please adjust the angle carefully. Do not rotate further once reaches the stopper position, rotate to the reverse direction till the desired angle.
調節角度時請小心操作。當燈頭調節到止位時，切勿同方向繼續旋轉，請反向旋轉以調節到您所需要的角度。

Recommended Installation 推薦安裝方式



Track 軌道



End user needs to prepare qualified track which meet IEC-60570 and the track should be compatible with the luminaire. Philips is not responsible for the quality of the track.

用戶自行購買合格的符合安規標準的軌道 (IEC-60570)，並確保軌道和燈具匹配，飛利浦不對軌道的質量負責。

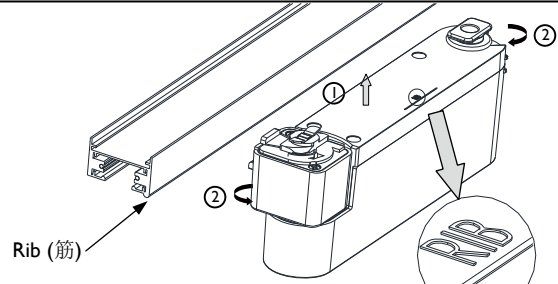
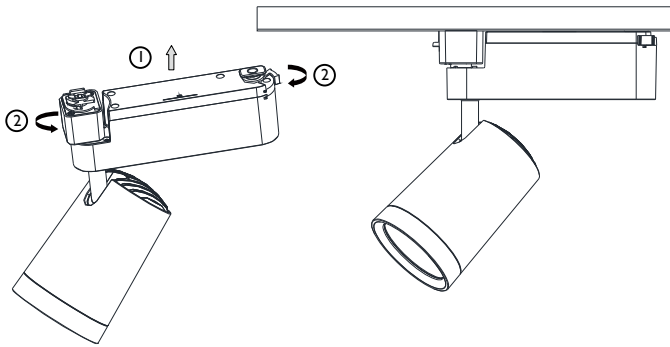
進口商：台灣飛利浦照明股份有限公司

製造商：飛利浦(上海)燈具有限公司

電話：0800-808-268 地址：台北市南港區圖區街3-1號15 F之1

PHILIPS

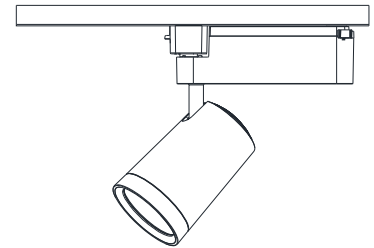
Installation 燈具安裝



- ① Put track adaptor into track, align track rib with Mark.
把軌道接頭垂直放入軌道(軌道筋對準上蓋“RIB”標識)。
- ② Rotate adapter and right handles 90°.
90°旋轉軌道接頭和把手。

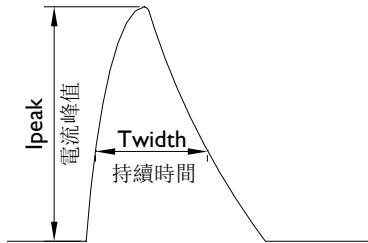


Please do not use your bare hand to adjust the core while the light is on.
燈具點亮時請不要用手直接接觸燈頭進行調節。




Turn off the power and wait for 15mins before adjust the core with bare hand.
關閉電源並靜置15分鐘後，手可以直接接觸燈頭進行調節。

Inrush current



	ST391T	LED10	LED20	LED30
Ipeak (A)	15	15	30	
Twidth (μs)	240	240	310	
Type B I6A	42	42	12	
Type C I6A	72	72	22	

1. Please read this manual carefully before using the product. Please keep the manual for future reference.
使用本產品前，請先仔細閱讀本手冊。請保留本手冊作為日後參照用。
2. The luminaire shall be installed by a qualified electrician and wired in accordance with the latest IEEE electrical regulations or the national requirements.
燈具應由符合資格的電工安裝，接線要符合IEEE電氣標準或國家標準。
3. The luminaire is complied to IEC 60598-1 or CNS14335.
此燈具是依據IEC60598-1 或 CNS14335標準所製造。
4. Do not hot swap! Luminaire must not to be disconnected with line power turned on. Failure to do so may damage the product.
請不要熱插拔，軌道燈不允許在帶電的時候與軌道分開，這樣會損壞產品。
5.  Luminaire is going to installed out of hand reach. The light source of this luminaire is not replaceable; when the light source reaches its end of life the whole luminaire shall be replaced.
本燈具打算安裝在伸臂範圍以外。燈具中光源不可更換；當光源壽命終結時，請更換整個燈具。
6. The manufacturer will not be held responsible for improper usage or modification to the product.
所有不當使用或自行更改產品結構而導致的損壞，生產商不負任何責任。
7. Input voltage shall not exceed $\pm 10\%$ of nominal voltage.
輸入電壓請勿超出額定電壓的 $\pm 10\%$ 。
8. For the max number of luminaires per Track, please refer to the Track specification.
一根軌道可連接燈具的數量，請參照軌道規格書。
9. In case of malfunction, please switch off the power and contact your nearest Philips dealer.
如發現異常或操作有任何問題，請務必先切斷電源，然後與飛利浦經銷商聯繫。
10. The corrosive atmosphere or hazardous materials such as sulfur, chlorine, phthalate, etc must be avoided during the use and storage.
燈具避免在腐蝕性環境或者含有有害物質，例如硫化物，鹵化物，鄰苯二甲酸脂等環境中存儲和使用。

Maintenance 保養方法：

1. To ensure optimum performance, please clean the product regularly (recommended twice a year). Turn off luminaire before cleaning.
為了保持燈具明亮效果，請定期（半年一次）進行清潔。燈具清潔請在切斷電源情況下進行。
2. Do not use chemical solvents to clean the luminaire, it might damage the surface.
請不要用香蕉水等揮發性物質擦拭燈具表面，請不要對燈具噴灑任何化學藥劑，否則燈具可能會變色或損壞。