

Day-Brite

CFI

by  Signify

Recessed

Arioso semi-recessed perf 2x4

T5 or T5HO



Project: _____
 Location: _____
 Cat.No: _____
 Type: _____
 Lamps: _____ Qty: _____
 Notes: _____

The Day-Brite / CFI Arioso semi-recessed perf is an ideal choice for spaces with low plenum clearance. Keeping the look and feel of a fully recessed luminaire, this model maintains quality illumination while minimizing clutter and protrusions from the ceiling plane.

Ordering guide

Example: 2AVLG228-PMW-UNV-1/2-EB-LPT835HL

Width	Family	Ceiling Type	No. of Lamps (not included)	Lamp Type	Shielding	Voltage	Options
2	AVL	G		—	—	—	
2 2'	AVL Arioso semi-recessed perf	G Grid	2 3	28 28WT5 (46") 54HO 54WT5HO (46")	PMW Perforated metal w/ white overlay SPMW 2-piece perforated metal with white overlay	120 277 347 UNV Universal Voltage 120-277V	1/2 One 2-lamp ballast 1/3 One 3-lamp ballast 1/21 2-lamp & 1-lamp ballasts EB Electronic ballast, <10% THD, std. ballast factor EBD7 Advance Mark 7 dimming ballast, 0-10V (low voltage) control EBDX Advance Mark 10 dimming ballast, phase control EBD Electronic dimming ballast, customer specified E7LP LP550 emerg. ballast T5/T5HO, 430-700 lumens, 120/277V E6LP LP600 emerg. ballast U.S. or Canada market, T5/T5HO, 750-1325 lumens, 120/277V F1 3/8" flex 3 wire, 18 gauge 6' F2 3/8" flex 4 wire, 18 gauge 6' F2/5W 3/8" flex, 5 wire 18 gauge 6' GLR Fusing, fast blow LPT830 Installed T5/T5HO lamps, 80+ CRI, 3000K LPT835 Installed T5/T5HO lamps, 80+ CRI, 3500K LPT841 Installed T5/T5HO lamps, 80+ CRI, 4100K LPT830HL Installed T5 high lumen lamps, 80+ CRI, 3000K LPT835HL Installed T5 high lumen lamps, 80+ CRI, 3500K LPT841HL Installed T5 high lumen lamps, 80+ CRI, 4100K CHIC Chicago plenum rated

Accessories (order separately)

- AVHD Hold down clips
- FMA24 2'x4' "F" mounting frame for NEMA "F" mounting



2AVLG Arioso semi-recessed perf 2x4

T5 or T5HO

Application

- Architectural recessed direct/indirect lighting for glare free illumination.
- Suitable for grid inverted T (NEMA "G") ceilings. Flange type ceilings (NEMA "F") require independently mounted flange kits (FMA).
- For applications where plenum depth is limited.
- Suitable for row mounting.
- Style matched to Arioso surface.

Construction/Finish

- No visible welding, screws, latches, springs, hooks, rivets or plastic supports.
- Soft white baked enamel finish.
- Easy ballast access through removable back reflector.
- Optional hold down clips available. (Order separately: cat # AVHD).

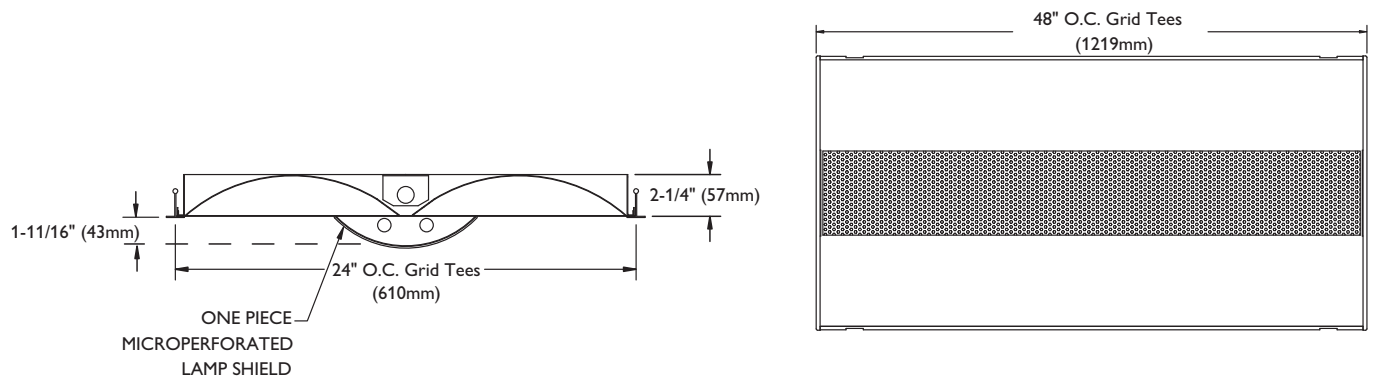
Electrical

- cULus listed for damp locations.
- Self-contained fluorescent emergency power pack can be incorporated.

Enclosure

- Choice of one-piece (PMW) or two-piece (SPMW) lamp shield configuration.
- Micro-perforated mesh lamp shield provides soft awareness of light source.
- Swing down lamp shield for easy relamping.
- Soft white overlay on inside of micro-perforated mesh conceals lamp image and balances reflected and direct light.

Dimensions



Some luminaires use fluorescent or high intensity discharge (HID) lamps that contain small amounts of mercury. Such lamps are labeled, "Contain Mercury" and/or the symbol "HG". Lamps that contain mercury must be disposed of in accordance with local requirements. Information regarding lamp recycling and disposal can be found at www.lamprecycle.org

2AVLG Arioso semi-recessed perf 2x4

T5 or T5HO

Photometry

Arioso semi-recessed perf (PMW) 2x4 2 lamp T5HO

Efficiency – 61.6%

LER – 52

TER – 42

Catalog No.		Candlepower				Light Distribution				Average Luminance							
Test No.		Angle	End	45	Cross	Degrees	Lumens	% Lamp	% Luminaire	Angle	End	45'	Cross				
2AVLG254HO-PMW-1/2-EB		0	1583	1583	1583	0-30	1245	14.1	22.9	45	2002	2299	2516				
1.3		5	1583	1580	1565	0-40	2059	23.4	38.0	55	1803	2404	2805				
F54T5HO		10	1561	1563	1551	0-60	3787	43.0	69.8	65	1497	2686	3350				
4400		15	1521	1532	1529	0-90	5424	61.6	100.0	75	1195	3432	4490				
1.00		20	1469	1491	1499					85	879	4688	5730				
105		25	1402	1439	1462	Coefficients of Utilization											
Comparative yearly lighting energy cost per 1000 lumens – \$4.62 based on 3000 hrs. and \$.08 pwr KWH. The photometric results were obtained in the Day-Brite laboratory which is NVLAP accredited by the National Institute of Standards and Technology.		30	1319	1378	1416	EFFECTIVE FLOOR CAVITY REFLECTANCE 20 PER (pfc=0.20)											
		35	1226	1306	1366	pcc				70				50			
		40	1121	1228	1310	pw				70				50			
		45	998	1146	1254	RCR											
		50	867	1058	1196	0	72	72	72	71	71	71	68	68			
		55	729	972	1134	1	66	61	58	64	60	57	57	56			
		60	583	885	1069	2	58	53	47	56	52	47	50	46			
		65	446	800	998	3	53	46	40	52	45	40	42	39			
		70	325	715	921	4	48	40	34	46	40	34	38	33			
		75	218	626	819	5	45	35	29	42	34	29	34	28			
80	126	514	635	6	40	32	27	40	32	26	30	26					
85	54	288	352	7	38	28	23	36	28	23	28	23					
				8	34	27	20	34	26	20	25	20					
				9	33	23	19	32	23	19	23	19					
				10	30	23	17	29	22	17	22	17					

