

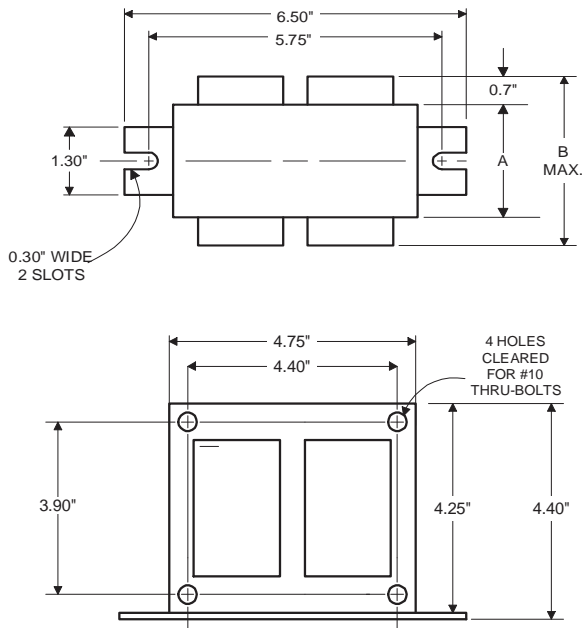
PHILIPS ADVANCE

Metal
Halide
Lamp Ballast

Catalog Number 71A57A2
For 250W M138/M153 (P.S.)
60 Hz SUPER-CWA
Status: Active

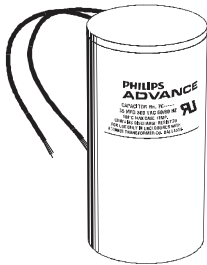
DIMENSIONS AND DATA

4 1/4 X 4 3/4 CORE - 2 COIL UNIT



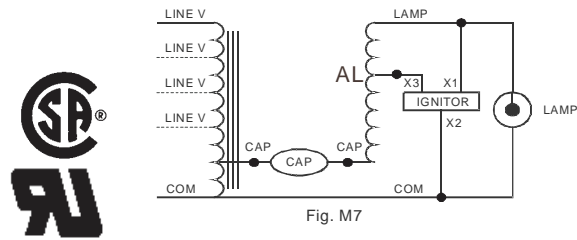
INPUT VOLTS	120	277	347		
CIRCUIT TYPE	SUPER-CWA				
POWER FACTOR (min)	90%				
REGULATION					
Line Volts	±10%				
Lamp Watts	±10%				
LINE CURRENT (Amps)					
Operating.....	2.50	1.10	0.90		
Open Circuit.....	1.05	0.36	0.45		
Starting.....	2.20	0.95	0.75		
UL TEMPERATURE RATINGS					
Insulation Class	H(180°C)				
Coil Temperature Code	1029				
MIN. AMBIENT STARTING TEMP.	-30°F or -35°C				
NOM. OPEN CIRCUIT VOLTAGE	274				
INPUT VOLTAGE AT LAMP DROPOUT.....	70	165	205		
INPUT WATTS	290				
RECOMMENDED FUSE (Amps).....	8	3	3		
CORE and COIL					
Dimension (A)	1.50				
Dimension (B)	3.45				
Weight (lbs.)	9.5				
Lead Lengths	12"				
CAPACITOR REQUIREMENT					
Microfarads	17.0				
Volts (min.)	330				
Fault Current Withstand (amps)					
60 Hz TEST PROCEDURES (Refer to Advance Test Procedure for HID Ballasts - Form 1270)					
High Potential Test (Volts)					
1 minute	1500				
2 seconds	2500				
Open Circuit Voltage Test (Volts)	247-301				
Short-Circuit Current Test (Amps)					
Secondary Current	241.00-2.95				
Input Current.....	1.82-2.74	0.78-1.18	0.63-0.95	-	-

Capacitor: 7C170P40



Capacitance: 17
Dia/Oval Dim: 1.75
Height: 3.75
Temp Rating: 105°C

Wiring Diagram:

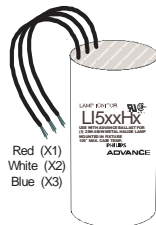


Ordering Information

Order Suffix

Description

Ignitor: LI533-H4



Red (X1)
White (X2)
Blue (X3)

Ballast to Lamp Distance (BTL) = 5 feet
Temp Rating: 105°C

Data is based upon tests performed by Philips Lighting Electronic N.A. in a controlled environment and representative of relative performance. Actual performance can vary depending on operating conditions. Specifications are subject to change without notice.

Philips Lighting Electronic N.A.

10275 West Higgins Road · Rosemont, IL 60018 · Tel:800-322-2086 Fax:888-432-1882
Customer Support/ Technical Service:800-372-3331 · OEM Support: 866-915-5886

11/21/13