

## Specification Sheet

# LLC7262 CityTouch Connector Node HV

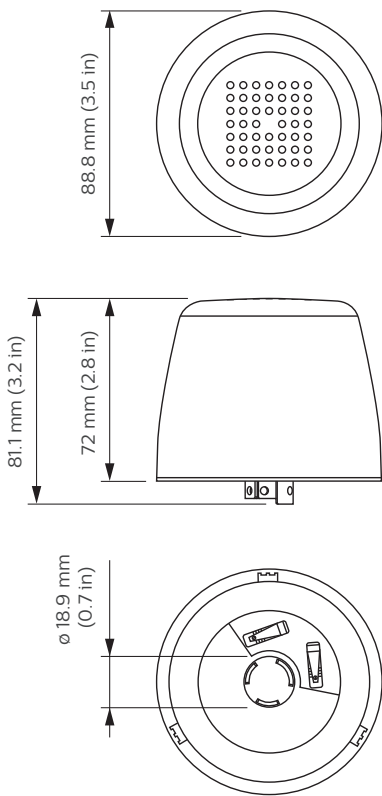
The CityTouch connector node HV can be plugged into a High Voltage luminaire with a 3, 5 or 7 pin NEMA socket to connect it to the CityTouch software system. The system allows for remote management of outdoor luminaires.

Low Voltage luminaires can be managed by LLC7260 CityTouch Connector Node LV.

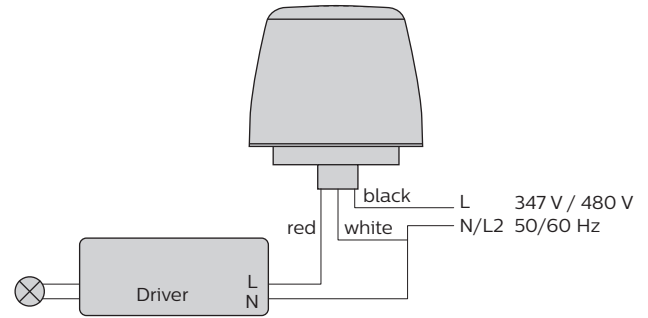
# LLC7262

- The Connector node will control outdoor luminaires by switching the mains and provides dimming by means of a digital (DALI) or analog (0-10V) interface. The node will monitor and communicate the operational status of the luminaire.
- The Connector node uses cellular communication to exchange data with the CityTouch system. Through the on-board GPS (Global Positioning system) the node determines location and sends it to the CityTouch system. No commissioning is required.
- The integrated light sensor allows lux level switching. The lux level to switch on and off the luminaire can be adjusted remotely. The node has provisions to prevent day burning due to dirt.
- The Connector node may be connected to any luminaire with a NEMA receptacle conform ANSI C136.10 or C136.41 standard.

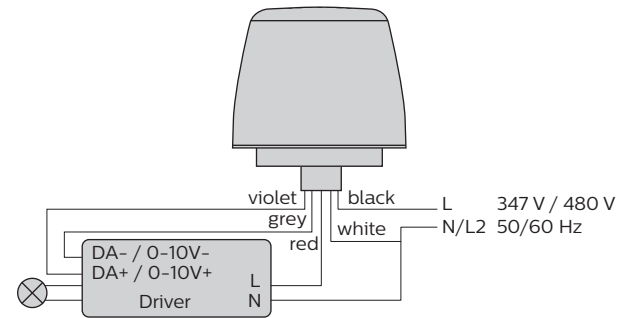
## Dimensional drawing



## Wiring diagrams



ANSI C136.10



ANSI C136.41

# Specifications

## General Characteristics

Mains voltage	347~480VAC +10% - 15%
Mains frequency	50/60 Hz ±5%
Rated current	3.7A @ 347 VAC or 2.7A @ 480 VAC for EL drivers and EM ballasts
Plug	Compatible with ANSI C136.10 and ANSI C136.41 3, 5 and 7 pin

## Power Consumption

Stand-by wattage	< 2 W
Energy Meter accuracy	2% according EN50470-3 class A

## Control Interface

Control voltage	0 – 10 VDC / DALI
Load capacity	3 lamp / LED drivers
Protection	Interface is short circuit proof
Insulation	Class I, Basic insulation
DALI voltage	12.0 – 20.5 VDC (12.5 VDC typical)
DALI current	8 – 250 mA (12 mA typical)

## Connectivity

UMTS	850 / 1900 MHz
GPRS	850 / 1900 MHz

## Auto Location

Position System	Build in GPS
Location accuracy	CEP50 ≤ 2.5 m (8 ft)

## Photocontrol

Turn on/off range	5 – 200 Lux
On Factory setting	16 Lux
Off Factory setting	16 Lux
Remote configurable	

## Temperature Characteristics

Operating temperature	-40° C – +70° C (-40° F – 158° F) ambient -40° C – +80° C (-40° F – 176° F) storage
Relative humidity	5% to 95%

## Product dimensions

Height	72 mm (2.83 in)
Diameter	88.8 mm (3.50 in)
Net weight per piece	0.23 kg (8.11 oz)

## Housing

Flammability	UL94-V0, 750° C glow wire test (EN60598-1:2008 Annex ZC)
Protection class	IP54, IP class of luminaire unchanged
Color	Light Grey RAL7035

## Compliance

Marking	cUL, IC, AT&T, PTCRB
Environment	RoHS, REACH
Safety	UL773
Conducted emission	FCC 47 Part 15B Class A
Radiated emission	FCC 47 Part 15B Class A
Public Mobile Services	FCC 47 CFR 22H, PTCRB
Personal Communication Services	FCC 47 CFR 24E
EMF	FCC 47 Part 1.1310 / IEEE C95.1
Surge protection	ANSI C136.10 6kV / 3kA
Damp heat	IEC 60068-2-30: 42 Days 75° C / 25° C 95% RH
Salt mist	IEC 60068-2-11 test Ka: 14 days
Mixed gas corrosion	IEC 60068-2-6 test Ke; 21 days, method 4

## Ordering data LLC7262 (HV version)

Catalog code	LLC7262
Order code	9137 010 35503
UPC1	046677471613
UPC3	50046677471618

## Ordering data LLC7260 (LV version)

Catalog code	LLC7260
Order code	9137 003 63303
UPC1	781087139578
UPC3	50781087139573



© 2019 Signify Holding. All rights reserved. Specifications are subject to change without notice. No representation or warranty as to the accuracy or completeness of the information included herein is given and any liability for any action in reliance thereon is disclaimed. Philips and the Philips Shield Emblem are registered trademarks of Koninklijke Philips N.V. All other trademarks are owned by Signify Holding or their respective owners.



[www.philips.com/lighting](http://www.philips.com/lighting)