

Project: \_\_\_\_\_

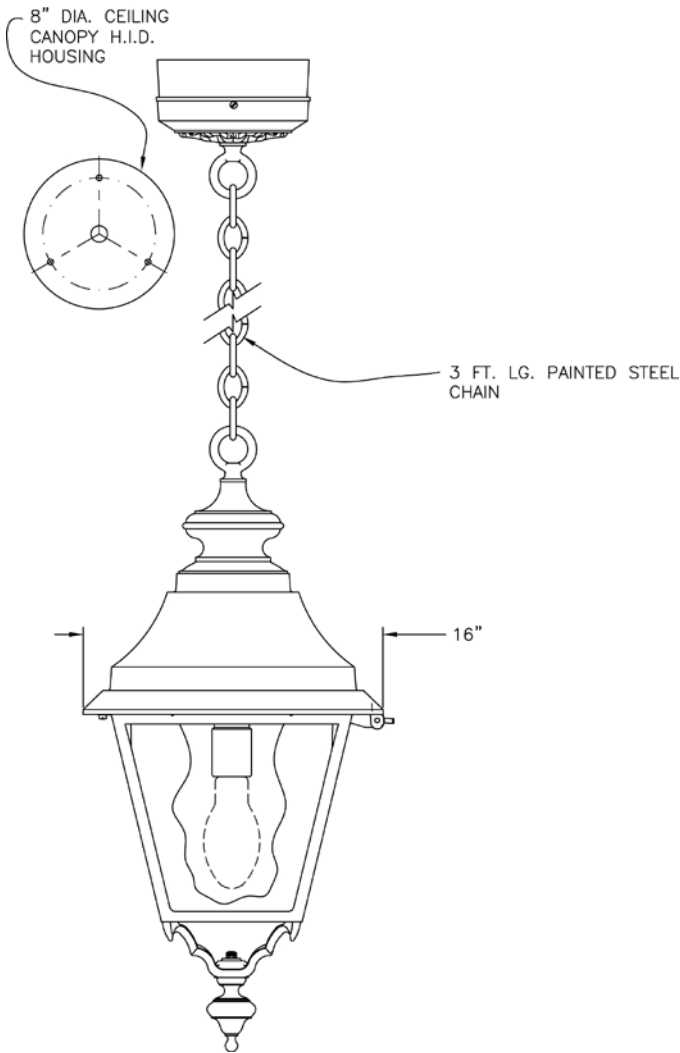
Location: \_\_\_\_\_

Cat.No: \_\_\_\_\_

Type: \_\_\_\_\_

Lamps: \_\_\_\_\_ Qty: \_\_\_\_\_

Notes: \_\_\_\_\_



### Ordering Guide

Example: 7620 ABS A D 50H E N N

Product Code	7620	Grande Essex
<b>Finish</b>	ABS ACP ARD ASI BLK BRN BRZ FGN GRA IRN RBZ SRT VBZ VCP VGN VTC WBZ WHT	Antique Brass Antique Copper Antique Red Antique Silver Black Brown Bronze Forest Green Granite Ironstone Rustic Bronze Shadow Rust Verde Bronze Verde Copper Verde Vintage Copper Weathered Bronze White
<b>Panel/Globe</b>	A B C D E M P Q	Clear Acrylic Opal Acrylic Clear Seeded Acrylic Bronze Tone Acrylic Clear Textured Acrylic Opal Polycarbonate Clear Polycarbonate Prismatic Polycarbonate
<b>Socket</b>	D G L	Medium Mogul LED
<b>Wattage/Source</b>	50H 70H 100H 150H 35S 50S 70S 100S 150S 150I LED	50W MH 70W MH 100W MH 150W MH 35W HPS 50W HPS 70W HPS 100W HPS 150W HPS 150W INC. LED
<b>Voltage</b>	E F G H	120V 208V 240V 277V
<b>Distribution</b>	N	None
<b>Photoeye</b>	N	None

# 7620 Grande Essex

## Canopy mount

### Specifications

---

**CONSTRUCTION:**

Cast aluminum canopy assembly with ceiling canopy and decorative cover secured with screws. Cast aluminum loop. 3 ft. long painted steel chain. Cast aluminum loop. Cast aluminum turned finial top. Cast aluminum square hinged roof for easy relamping. Cast aluminum square cage. Cast aluminum frog bottom welded to square cage. Cast aluminum knob.

**FINISH:**

Resilient TGIC thermoset polyester powdercoat paint is electrostatically applied to every fixture. Specially formulated for Philips Outdoor Lighting, it provides UV protection, and the highest temperature rating in the industry. In addition to the standard color choices shown, a spectrum of custom colors is available.

**PANELS/LENS/GLOBE:**

See lenses for available options.

**LAMPING:**

Lamp is not included.

**ELECTRICAL ASSEMBLY:**

Lantern will be prewired and tested. All electrical components are ETL listed.

**BALLAST:**

Ballast and component parts are securely mounted inside No. 55 canopy. (Customer must specify wattage and voltage.)

**MOUNTING:**

See template for dimensions & mounting instructions.

**WARRANTY:**

Three-year limited warranty.

**CERTIFICATIONS:**

ETL Listed to U.S. safety standards for wet locations. cETL Listed to Canadian safety standards for wet locations.

**Height:**

42"

**Width:**

16"

**Max. Weight:**

44 lbs.

