

Read and understand these instructions before installing luminaire (fixture).

This luminaire is intended for installation in accordance with the National Electrical Code and local regulations. To assure full compliance with local codes and regulations, check with your local electrical inspector before installation. To prevent electrical shock, turn off electricity at fuse box before proceeding. Allow fixture to cool before handling.

Retain these instructions for maintenance reference.

INSTRUCTIONS FOR INSTALLING AND OPERATING LLAV01, LLAV11, AND LLAV12 SERIES TRACK LED LUMINAIRES. FOR USE WITH LIGHTOLIER LYTESPAN TRACK SYSTEMS ONLY.

- Compatible with ceiling, wall and suspended mounted track.
- Compatible with Monopoint, Multipoint, and Extension Wands. Sold separately.
- Compatible with certain types of dimmers. See specification sheets LLAV01, LLAV11, AND LLAV12 for compatible dimmers.
- Accessories: LLAV01 and LLAV11 series compatible with LLAHCA11 Hex cell louver, LLA11SN snoot, LLAV11 series films; when used with Accessory Holder LLAV01AH. Sold separately. For LLAV12 series: compatible with AL4HC Hex Cell Louver, 23SNT6 Snoot, LLAV12 series films, when used with Accessory Holder LLAV12AH.
- Not compatible with Pro-Spec track.
- CAUTION: HOT SURFACE. Keep away from curtains and any other combustible materials.
- CAUTION: Turn power off and allow fixture to cool before handling.
- CAUTION: No consumer serviceable parts. Contact factory if service is required.
- CAUTION: For use in dry locations only.

INSTRUCTIONS FOR ATTACHING LUMINAIRE TO TRACK.

1. Turn off power to TRACK.

A. ADAPTER: (BASIC TRACK), FIG.4

1. Insert the ADAPTER into the TRACK. LOCKING LEVER must be on the same side of track as Bead (FIG.1)
2. Rotate fixture ADAPTER 90° clockwise with the help of the DRIVER HOUSING until LOCKING LEVER snaps and locks in place (FIG.2)
3. To remove, depress LOCKING LEVER, then rotate ADAPTER 90° counterclockwise with the help of the DRIVER HOUSING (FIG.2)

B. ADAPTER: (ADVENT TRACK), FIG.5

TO POWER ON UPPER CIRCUIT:

1. Raise BRASS CONTACT to high position by pulling CONTACT as high as stop permits (See FIG.3).
2. Follow instructions above for installing into track.

TO POWER ON LOWER CIRCUIT:

1. Ensure CONTACTS are at the same level. Push down BRASS contact if needed.
2. Follow instructions above for installing into track.

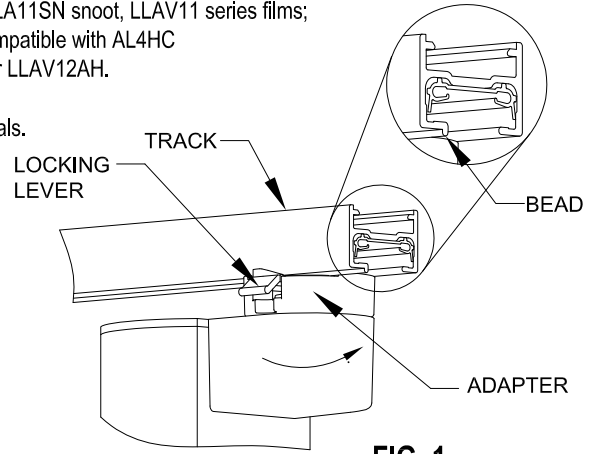


FIG. 1

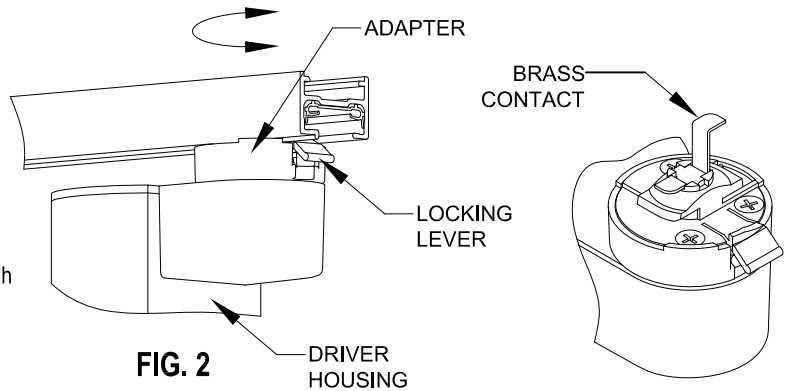


FIG. 2

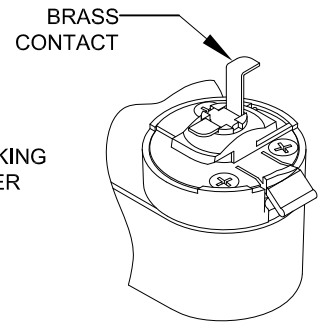
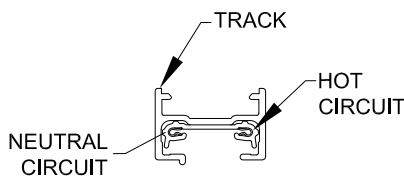
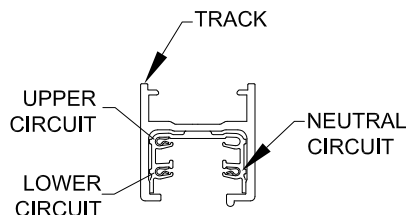


FIG. 3



**FIG. 4
BASIC TRACK**



**FIG. 5
ADVENT TRACK**

ROTATE IN DIRECTIONS SHOWN. HORIZONTAL AND VERTICAL ROTATION HAVE MECHANICAL STOPS. DO NOT FORCE PAST STOPS. (FIG 6)

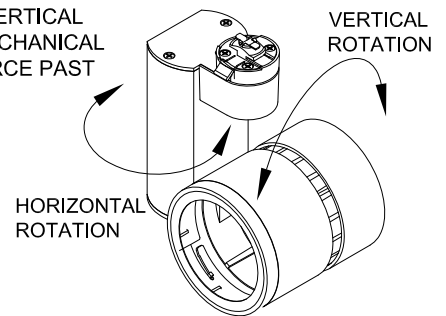


FIG. 6