



## Specification Sheet

# Dimming Signal Transmitter Cabinet

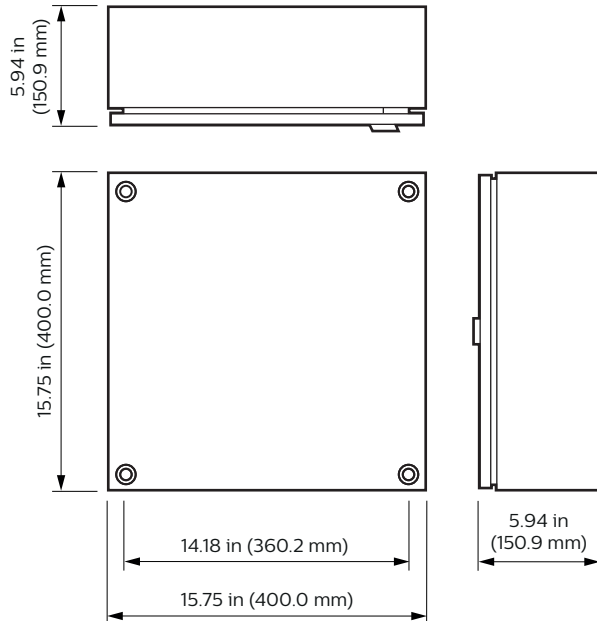
The Dimming Signal Transmitter Cabinet is a major component of the Philips SiteWise area lighting management system.

The cabinet comes preassembled with all the signaling components for easy installation. It converts the incoming control signal to a robust dimming signal. The latter is transmitted over the existing neutral wire to the dimming signal receivers in the luminaires using a patented technology. This control signal can be carried over 3 miles.

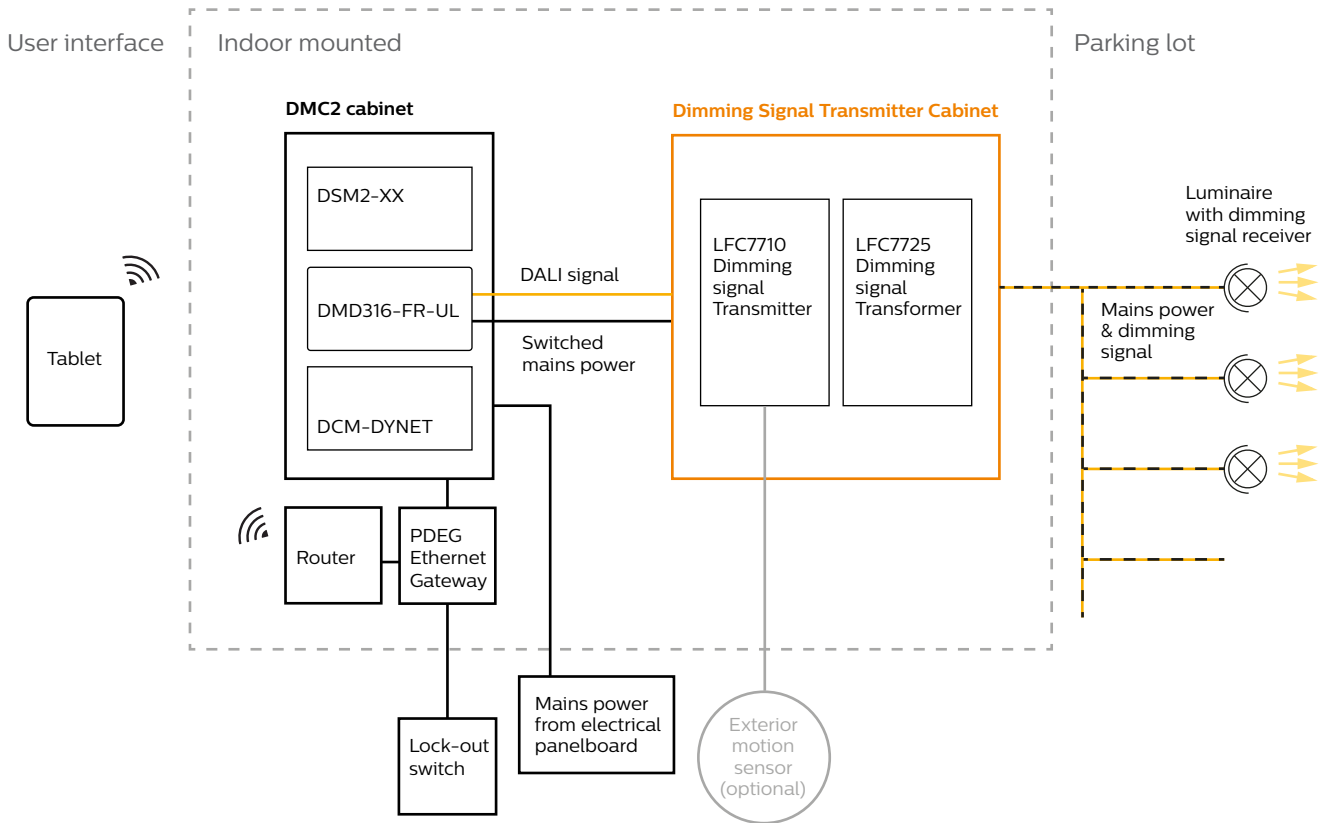
The cabinet can be used in installations up through 277 VAC.

# Dimming Signal Transmitter Cabinet

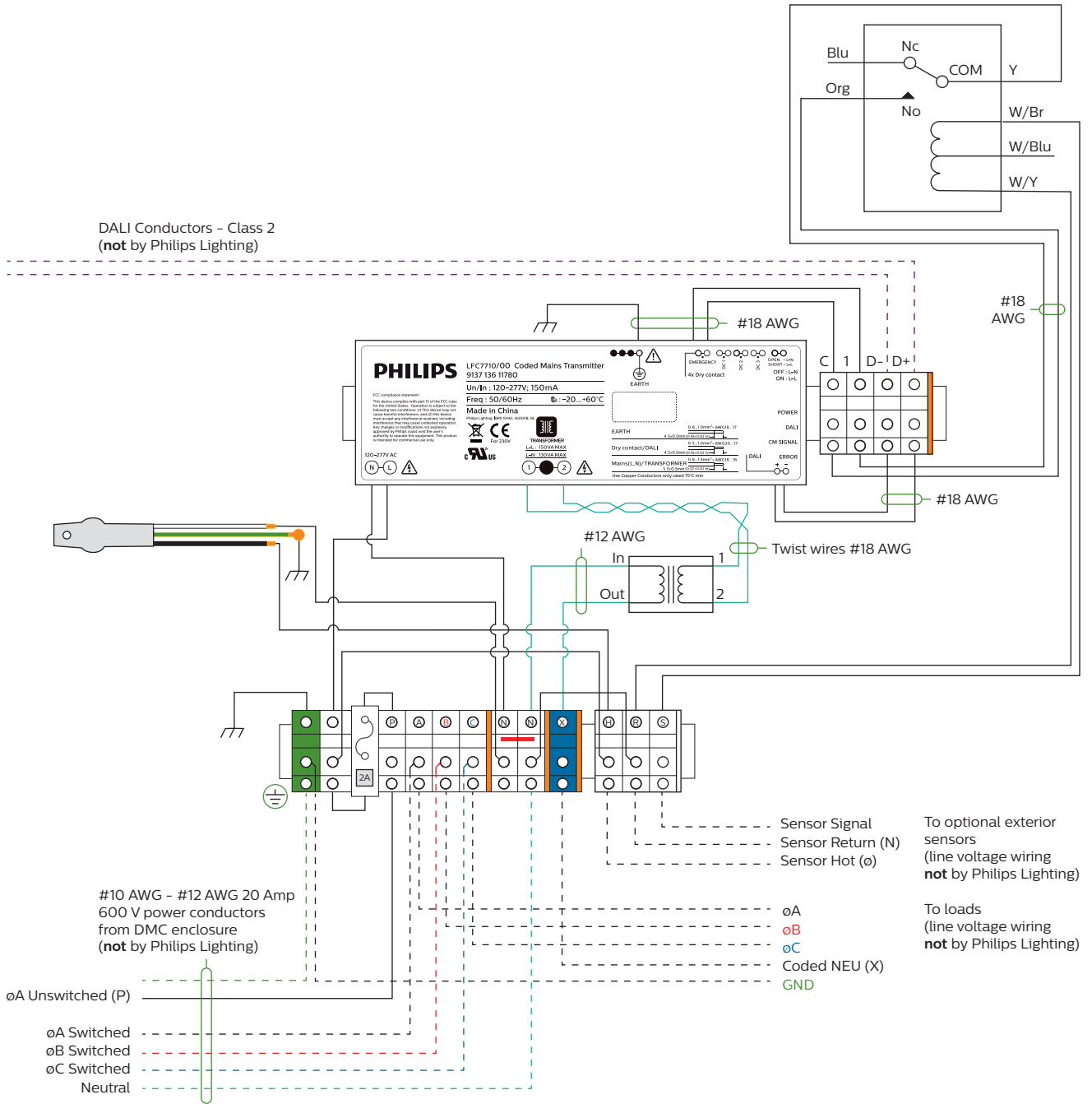
## Dimensional drawing



## Typical parking lot set-up



# Inside cabinet wiring



# Specifications

## Electrical

Mains voltage	120 - 277 Vac <b>⚠ Caution</b> This cabinet is intended for a 3-Phase, 4-Wire feed, therefore, the line-to-line potential is 208 Vac @ 120 Vac operation and 480 Vac @ 277 Vac operation)
Mains frequency	50/60 Hz
Max. power consumption	<20 W (including Transformer in full load)
Max current	63 A @ transformer (do not exceed 20 A load rating of external switching relay)
Output power Transformer	Max. 130 VA

## DALI Interface

Operating mode	Slave
Power supply	8 mA
Cable length	< 10 m
Protocol	DALI 2.0

## Control

Components	LFC7710 Coded Mains Transmitter LCU7725 Coded Mains Transformer LN
------------	---

## Mechanical

Dimensions (H x W x D)	15.75 in x 15.75 in x 5.94 in (400 mm x 400 mm x 150.9 mm)
Weight	30.0 lbs (13.6 kg)
Construction	One-piece welded cold-rolled steel body Hinged door with ¼ turn latch with screwdriver insert
Operating conditions	Temperature: -4 – 140 °F (-20 – 60 °C) ambient Humidity: 20 – 90% non-condensing
Storage & transport	Temperature: -40 – 185 °F (-40 – 85 °C) ambient Humidity: 20 – 90% non-condensing

## Certification

Compliance	CE, UL, cUL
------------	-------------

