

PHILIPS



Site & Area

Gullwing LED

Small, GL13



Project: _____
 Location: _____
 Cat.No: _____
 Type: _____
 Qty: _____
 Notes: _____

Philips Gardco Gullwing LED GL13 area luminaires combine LED performance excellence and advanced Gardco LED thermal management technology with the distinct Gullwing style to provide outdoor area lighting that is both energy efficient and aesthetically pleasing.

Ordering guide

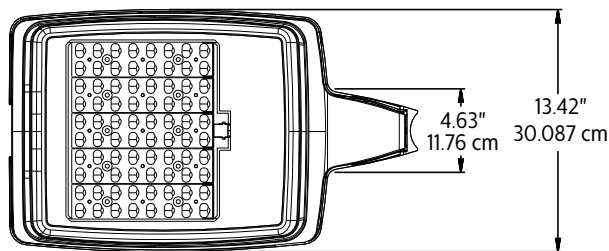
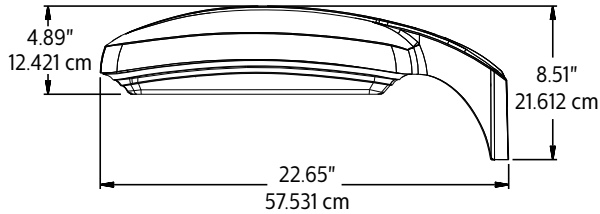
Example: GL13-APD-1-4-70LA-6435-NW-120-BRP-LF

Prefix	Controls	Mounting	Optical System ⁴	Wattage	LED Color	Voltage	Finish	Options
GL13 13" Gullwing LED Luminaire Constant Wattage	— Gullwing Standard Luminaire	1 Single	2 Type 2	70LA-6435 64 LEDs, 350mA	NW Neutral White 4000K, 70 min. CRI	120 208 240	BLP Black Paint	F⁵ Fusing
GL13-DIM 13" Gullwing LED with 0-10V Dimming	GL13-DIM 13" Gullwing LED with 0-10V Dimming	2 2 @ 180°	3 Type 3	85LA-8035 80 LEDs, 350mA	CW Cool White 5700K, 70 min. CRI	277 347 480	WP White Paint	LF⁵ In-Line/In-Pole Fusing
GL13-RK 13" Gullwing LED Retrofit Kit	GL13-APD¹ 13" Gullwing LED with Automatic Profile Dimming	2@90 2 @ 90°	4 Type 4	105LA-6453 64 LEDs, 530mA	WW Warm White 3000K, 70 min. CRI	480 UNV (120-277V)	BRP Bronze Paint	PC^{2,5,6} Photocontrol and Receptacle (Includes PCR5)
	GL13-MRI^{2,3} 13" Gullwing LED with Motion Response at 50% Low (luminaire mounted sensor)	3 3 @ 90°	5 Type 5			347 480 UNV (120-277V)	NP Natural Aluminum Paint	PCR5^{2,7,8} Photocell Receptacle only with 2 dimming connections
	GL13-APD-MRI^{2,3} 13" Gullwing LED with APD with Motion Response Override (luminaire mounted sensor)	3@120 3 @ 120°				480 UNV (120-277V)	OC Optional Color <i>Specify optional color or RAL ex: OC-LGP or OC-RAL7024.</i>	PCR7^{2,6,7} Photocell Receptacle only with 2 dimming and 2 auxiliary connections
	Network system (SiteWise)	4 4 @ 90°				480 UNV (120-277V)	SC Special Color Specify. <i>Must supply color chip. Requires factory quote.</i>	HS External House side Shield
	SW Integral module ^{3,12}	W Wall Mount, Recessed J-Box				480 UNV (120-277V)		IS Internal House side Shield (types 2, 3, 4 only)
	SW-MRI Luminaire mounted motion response option	WS Wall Mount, Surface Conduit				480 UNV (120-277V)		MA Mast Arm Fitter Mounts to a 2-3/8" O.D. mast arm.

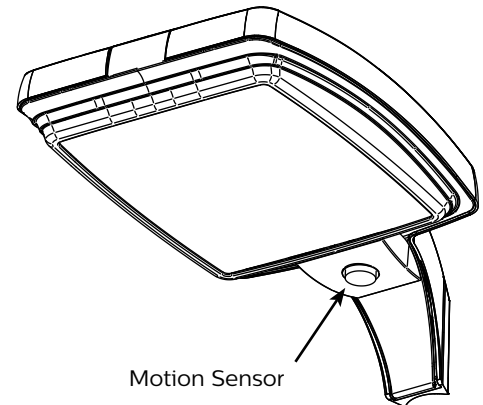
- 1. Available **120-277V**.
- 2. Not available with Retrofit Kits (**GL13-RK**).
- 3. Available **120** or **277V** only.
- 4. Luminaire door frame and optic assembly provided standard with clear tempered glass lens.
- 5. Voltage must be specified.
- 6. Not available with **480V**.
- 7. Works with 3-pin or 5-pin NEMA photocell/dimming device.
- 8. If ordered with **DIM, APD, MRI, APD-MRI**, dimming will not be connected to NEMA receptacle.
- 9. Mounts to a 2-3/8" Top Tenon. Specify a round pole with a 3.0" top O.D. for a smooth transition.
- 10. Not available in 120" mounting configurations.
- 11. Required for mounting to straight square poles.
- 12. **SW** option is not available with any other control options with the exception of **SW-MRI** motion response options.

GL13 Gullwing LED area luminaire, small

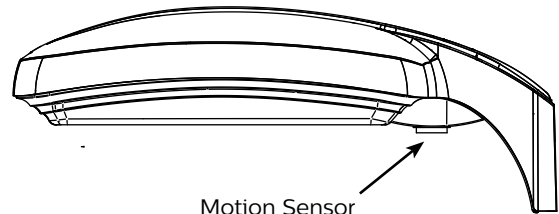
Dimensions and EPA



GL13-MRI or GL13-APD-MRI Units



Motion Sensor



Motion Sensor

EPA Data

1	2	3-4
.8 ft ²	1.6 ft ²	2.2 ft ²
.07 m ²	.15 m ²	.20 m ²

Approximate Weight Single Luminaire

33 lbs / 14.969 kg

Technical Data

Ordering Code	Total LEDs	LED Current (mA)	Average System Watts ¹²	Color Temp.	Type 2			Type 3		
					Lumen Output ^{13,14}	Efficacy (LPW)	BUG Rating	Lumen Output ^{13,14}	Efficacy (LPW)	BUG Rating
70LA-6435	64	350	70	4000K	6652	95	B2-U0-G1	6750	96	B1-U0-G2
85LA-8035	80	350	86	4000K	8064	95	B2-U0-G1	8173	95	B1-U0-G2
105LA-6453	64	530	101	4000K	9870	97	B2-U0-G2	9385	93	B2-U0-G2

Ordering Code	Total LEDs	LED Current (mA)	Average System Watts ¹²	Color Temp.	Type 4			Type 5		
					Lumen Output ^{13,14}	Efficacy (LPW)	BUG Rating	Lumen Output ^{13,14}	Efficacy (LPW)	BUG Rating
70LA-6435	64	350	70	4000K	6731	96	B1-U0-G2	6657	95	B3-U0-G1
85LA-8035	80	350	86	4000K	8027	94	B1-U0-G2	8025	93	B3-U0-G2
105LA-6453	64	530	101	4000K	9388	93	B2-U0-G2	9139	90	B3-U0-G2

12. Wattage may vary by +/- 8% due to LED manufacturer forward volt specification and ambient temperature. Wattage shown is average for 120V through 277V input. Actual wattage may vary by an additional +/- 10% due to actual input voltage.

13. Contact Outdoorlightingapplications@philips.com for values not listed or if approximate estimates are required for design purposes.

14. LED arrays feature LEDs that provide from 90 to 100 lumens per watt when operated at 350 mA. Lumen values based on tests performed in compliance with IESNA LM-79.

GL13 Gullwing LED area luminaire, small

Luminaire Configuration Information

GL13

Philips Gardco Gullwing LED standard luminaire providing constant wattage and constant light output when power to the luminaire is energized.

GL13-DIM

Philips Gardco Gullwing LED luminaire provided with 0 -10V dimming for connection to a control system provided by Philips or by others.

GL13-APD

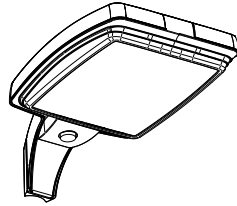
Philips Gardco Gullwing LED luminaire with Automatic Profile Dimming. Luminaire is provided with Dynadimmer, programmed to go to 50% power, 50% light output two (2) hours prior to night time mid-point and remain at 50% for six (6) hours after night time mid-point. Mid-point is continuously recalculated by the Dynadimmer based on the average mid-point of the last two full night cycles. Short duration cycles, and power interruptions are ignored and do not affect the determination of mid-point.

GL13-APD Dimming Profile:

100%	2 hours 50%	6 hours 50%	100%
Power On	Mid Point		Power Off

The GL13-APD offers many of the advantages of a sophisticated control system, including an average energy savings of at least 33% versus constant wattage, constant light output systems, without the need for a control system.

GL13-MRI (Luminaire mounted sensor)



Luminaires with Integral Motion Sensor include the DynaDimmer module and an integral motion sensor. The location of the integral motion sensor is shown on page 2. The DynaDimmer is programmed to provide 50% power and light output, unless motion is detected. Power supplied by the motion sensor connected to the override line on the DynaDimmer takes the luminaire to high setting, 100% power and light output, when motion is detected. The luminaire remains on high until no motion is detected for the motion sensor duration period, after which the luminaire returns to low. Duration period is factory set at 15 minutes. Duration period is field adjustable. Available from 120V to 277V input only.

MRI luminaires are provided with the WattStopper FS-355-L3W motion sensor, with a maximum recommended 20 ft. mounting height. The area coverage and range of the integral sensors make them most suitable for applications not requiring long range detection.

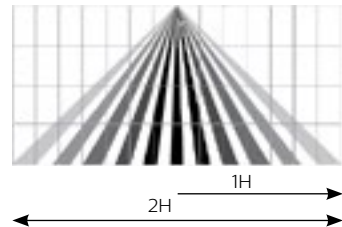
GL13-APD- MRI (Luminaire mounted sensor)

Luminaires with Automatic Profile Dimming and Motion Response Override with integral motion sensor, (APD-MRI) combine the benefits of automatic profile dimming and motion response. The luminaire will dim to 50% power, 50% light output, per the APD dimming profile. If motion is detected during the time the luminaire is operating at 50%, the luminaire returns to 100% power and light output. The luminaire remains on high until no motion is detected for the duration period, after which the luminaire returns to low. Duration period is factory set at 15 minutes. Duration period is field adjustable. APD-MRI luminaires use the identical motion sensor as MRI luminaires. See motion sensor details above. Available from 120V to 277V input only.

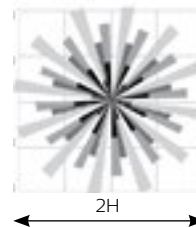
APD-MRI luminaires are available from 120V to 277V (UNIV) input voltages only.

APD-MRI luminaires use the identical motion sensor as MRI luminaires. See motion sensor details for GL13-MRI.

Side Coverage Pattern

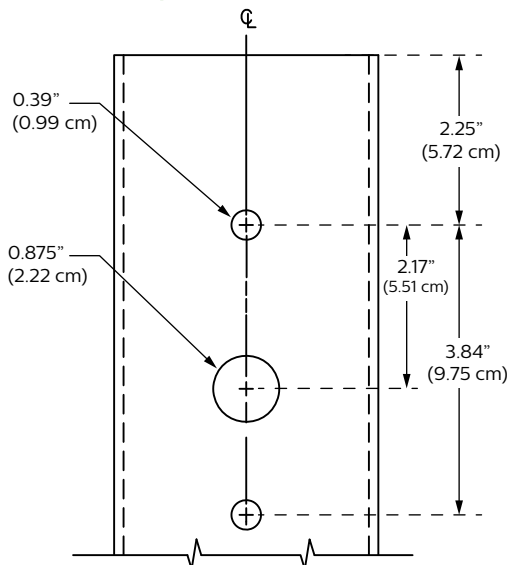


Top Coverage Pattern



Distances are approximate.
H = height above ground

GL13 Drill Template



SW

SiteWise option is a fully integrated controller that connects to Philips SiteWise system in order to offer a complete area lighting management system. The communication signal is based on Philips patented central dimming technology. SiteWise delivers it deliver optimal energy savings using your site's existing cabling. No additional wiring required, installation and commissioning are simple. An intuitive, mobile app makes it easy for authorized users to set schedules to meet site specific lighting needs, local regulations, and energy codes.

GL13 Gullwing LED area luminaire, small

SiteWise system

SiteWise is a complete area lighting management system including a luminaire integrated controller, dimming signal transmitter cabinet, and locally accessible user interface. Installation and commissioning are simple. The cabinet communicates with the Philips luminaires using a patented central dimming technology. The control signal is embedded on the existing electrical line – no new cabling is required. An intuitive, locally accessible interface makes it easy for authorized users to set schedules in order to meet site specific lighting needs, local regulations, and energy codes.

SiteWise system diagram



SiteWise system interface



SiteWise has an intuitive user interface that makes it easy to plan, edit, and implement lighting schedules for your site. Authorized users can access the interface via a local app.

To ensure that only authorized users can access your lighting, SiteWise offers two user types, each with different permissions. An advanced user, or administrator, can set and edit schedules using the ten pre-set scenes, assign those schedules to calendar days, and check system status.

For everyday use, a basic user can manually override a schedule that is currently running but cannot create or edit schedules.

SiteWise system specifications

The SiteWise system includes both luminaires and controls. The controls used for SiteWise are circuit load dependent. Required for a complete installation are the following Philips SiteWise components: user interface, control kit, dimming signal transmitter cabinet, and dimming signal receiver located in the Philips luminaire (**SW** option). Optional luminaire-integrated or external motion sensors may also be specified as required. Within the electrical closet, the control kit and dimming signal transmitter cabinet are installed into the electrical system between the existing breaker panel and the site luminaires. New LED luminaires containing the dimming signal receiver are installed on the site. Once completed, use of the interface allows for scheduling and override capabilities. Wireless access point and tablet should be supplied by others. Complete information on the control system can be found on the SiteWise website at philips.com/sitewise

GL13 Gullwing LED area luminaire, small

Specifications

General Description

The Philips Gardco Gullwing LED GL13 area luminaire is defined by its high performance, sleek profile and rugged construction. Gullwing LED luminaires combine LED performance excellence and advanced Philips Gardco LED thermal management technology with the distinct Gullwing style to provide outdoor area lighting that is both energy efficient and aesthetically pleasing.

Housing

A one-piece die cast aluminum housing mounts directly to a pole or wall without the need for a support arm. The low profile rounded form reduces the effective projected area of the luminaire to only 0.8 ft² /0.7 m².

IP Rating

Gullwing LED 13" optics are IP65 rated.

Thermal Management

The Philips Gardco Gullwing LED provides extruded aluminum integral thermal radiation fins to provide the excellent thermal management so critical to long LED system life.

LED Optical System

LED arrays are set to achieve IES Type II, Type III, Type IV, and Type V, available with internal shields for back light control. Individual LED arrays are replaceable. Luminaires feature high performance Class 1 LED systems.

Electrical

Luminaires are equipped with an LED driver that accepts 120V through 277V, or 347V through 480V, 50hz to 60hz, input. Driver output is based on the LED wattage selected. Component-to-component wiring within the luminaire will carry no more than 80% of rated current and is listed by UL. Power factor is not less than 90%. Luminaire consumes 0.0 watts in the off state. Surge protector standard. 10KA per ANSI/IEEE C62.41.2.

SiteWise network system

SiteWise system includes a controller fully integrated in the luminaire that enables the luminaires to communicate with a dimming signal transmitter cabinet located on site using Philips patented central dimming technology. A locally accessible mobile app allows users to access the system and set functionalities such as ON/OFF, dimming levels and scheduling. SiteWise is available with motion response options in order to bring the light back to 100% when motion is detected. Additional functionalities are available such as communication with indoor lighting and connection to BMS systems.

Finish

Each standard color luminaire receives a fade and abrasion resistant, electrostatically applied, thermally cured, triglycidal isocyanurate (TGIC) textured polyester powdercoat finish. Standard colors include bronze (BRP), black (BLP), white (WP), and natural aluminum (NP). Consult factory for specs on optional or custom colors.

Labels

All luminaires bear UL or CUL (where applicable) Wet Location labels.

Limited Warranty

5 year limited warranty. See philips.com/luminaires for complete details and exclusions.

LED Performance:

PREDICTED LUMEN DEPRECIATION DATA ¹⁵				
Ambient Temperature °C	Driver mA	Calculated L ₇₀ Hours ^{15,16}	L ₇₀ Per TM-21 ^{16,17}	Lumen Maintenance % @ 60,000 hours
25°C	up to 530 mA	>100,000	>60,000	82%

15. Predicted performance derived from LED manufacturer's data and engineering design estimates, based on IESNA LM-80 methodology. Actual experience may vary due to field application conditions.

16. L₇₀ is the predicted time when LED performance depreciates to 70% of initial lumen output.

17. Calculated per IESNA TM21-11. Published L₇₀ hours limited to 6 times actual LED test hours.

© 2017 Philips Lighting Holding B.V. All rights reserved. Philips reserves the right to make changes in specifications and/or to discontinue any product at any time without notice or obligation and will not be liable for any consequences resulting from the use of this publication. philips.com/luminaires



Philips Lighting North America Corporation
200 Franklin Square Drive, Somerset, NJ 08873
Tel. 855-486-2216

Philips Lighting Canada Ltd.
281 Hillmount Rd, Markham, ON, Canada L6C 2S3
Tel. 800-668-9008