

2' X 4'

2, 3, or 4 Lamp

T5, T5HO or T8

A premium quality surface modular for use in areas where vandalism is common.

CONSTRUCTION/FINISH

- For surface or pendant mounting. 2 and 4 lamp models require 2 stems for pendant mounting. 3 lamp models require 4 stems.
- 4" deep metal sided unit.
- Housing is multi-stage phosphate treated for maximum corrosion resistance and painted after fabrication with white polyester powder coating.
- K.O.'s provided in ends allow individual or continuous row mounting.

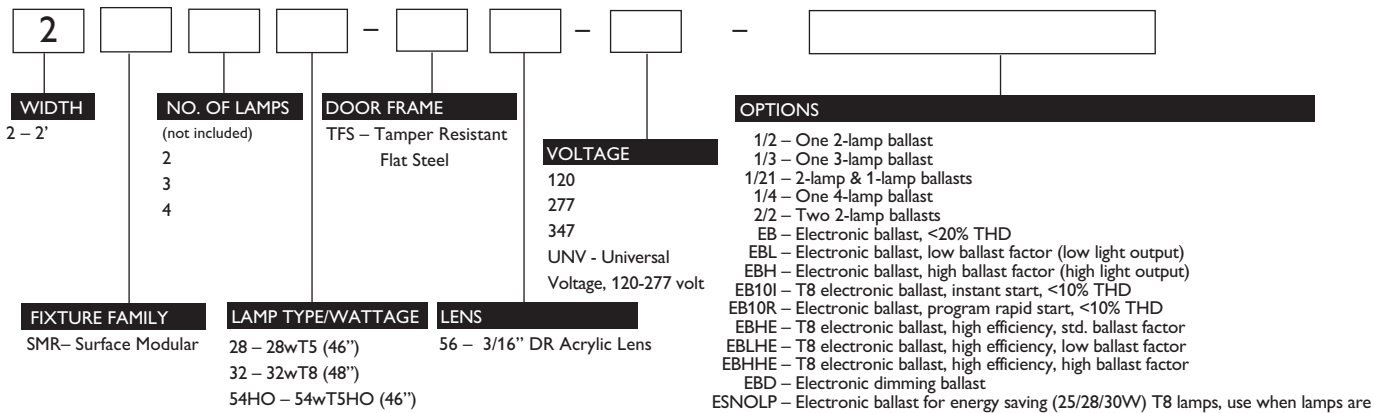
ELECTRICAL

- cULus listed for direct mounting on low density ceilings and damp locations.
- Self-contained fluorescent emergency power packs can be incorporated, listed for dry locations.

ENCLOSURES

- Door latches secured with 2 Torx head pin drive screws.
- Special screwdriver required, catalog # TPDTH sold separately.
- Vanguard high-impact extruded acrylic Gridless Octex; nominal thickness, 3/16", minimum weight 15 oz./sq. ft.
- Lens withstands impact of 70 ft. lbs. at 75° F, with the lens supported on all four edges.
- Painted after fabrication door frames feature mitered corners, T-hinges, and guide post spring-loaded latches.

CATALOG NUMBER



Hg Some luminaires use fluorescent or high intensity discharge (HID) lamps that contain small amounts of mercury. Such lamps are labeled, "Contain Mercury" and/or the symbol "HG". Lamps that contain mercury must be disposed of in accordance with local requirements. Information regarding lamp recycling and disposal can be found at www.lamprecycle.org

See section 1600-OA for option information.
See page 950-SS for mounting hardware.

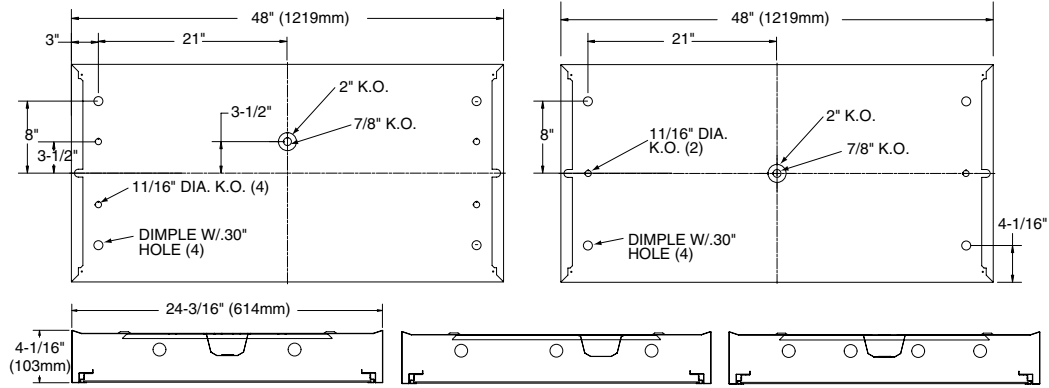
JOB INFORMATION



2' x 4' VANDAL RESISTANT

715-SA

DIMENSIONS



PHOTOMETRIC DATA

CATALOG #2SMR232-TFS01-1/2-EB LAMPS = F32T8 INPUT WATTS = 59 LER = FL-69
 TEST #25170 S/MH=1.5 BALLAST = ELECTRONIC BALLAST FACTOR = .88 TER = 60
 FIXTURE EFFICIENCY= 81.2%

COMPARATIVE YEARLY LIGHTING ENERGY COST PER 1000 LUMENS = \$3.48 BASED ON 3000 HRS. AND \$.08 PER KWH.

CANDLEPOWER				
Angle	End	45	Cross	
0	1661	1661	1661	
5	1667	1658	1646	
10	1645	1648	1647	
15	1610	1632	1646	
20	1565	1605	1641	
25	1496	1574	1629	
30	1415	1528	1614	
35	1308	1470	1580	
40	1168	1389	1512	
45	997	1250	1388	
50	816	1048	1180	
55	645	820	919	
60	481	594	673	
65	358	408	468	
70	270	271	320	
75	211	196	219	
80	153	152	147	
85	84	82	81	

MAINTAINED ILLUMINATION TABLE- Square Feet/ Fixture*						
■ 80-50-20 Reflectances (Ceiling-Wall-Floor) ■ LLF = 0.75 2850 Lumens/Lamp very clean ■ Room width divided by room height = 5 or more, 2 or 1						
Fixture Size & # of Lamps	Room Width Room Height =	Approx. Area (sq. ft.) per Fixture				
		10 ft-c	30 ft-c	50 ft-c	70 ft-c	100 ft-c
2' X 4'	5	-	122	73	52	37
2-Lamp	2	-	84	51	36	-
T8	1	-	62	37	-	-

*Observe Fixture S/MH Requirements for Specific Applications

AVERAGE LUMINANCE CD/SQ.M WITH 2850 LUMEN LAMPS				
ANGLE	END	45°	CROSS	
45	2183	2737	3040	
55	1741	2214	2481	
65	1312	1495	1715	
75	1262	1173	1310	
85	1492	1457	1439	

TYPICAL V.C.P.'s						
Room Size	Mounting Height					
	Lengthwise	Crosswise	8.5	10	8.5	10
30x30	65	69	63	67		
40x40	61	65	61	64		
60x30	67	71	66	69		
60x60	58	61	58	60		
100x100	55	57	55	57		

COEFFICIENT OF UTILIZATION						
pfc	20			70		
	80	30	50	30	50	30
pc	70	50	30	70	50	30
pw	70	50	30	70	50	30
RCR	0	96	96	96	93	93
1	89	84	81	86	82	80
2	81	75	69	79	72	68
3	73	66	59	71	65	58
4	68	58	52	66	57	51
5	63	53	46	60	52	45
6	57	47	40	56	46	40
7	54	42	35	53	42	35
8	50	39	33	48	39	32
9	46	35	29	46	35	28
10	44	33	27	42	33	27

LIGHT DISTRIBUTION			
DEGREES	LUMENS	% LAMP	% FIXTURE
0-30	1343	23.6	29.0
0-40	2254	39.5	48.7
0-60	3906	68.5	84.4
0-90	4626	81.2	100.0

LLF = .75 LLF = LIGHT LOSS FACTOR LLF = LDD X LLD X BF LDD = VERY CLEAN 0.94 CLEAN 0.90
 LLD = 0.91 @ 40% RATED LAMP LIFE BF = .88 ELECTRONIC BALLAST & T8 LAMP (RELAMP AT 70% LAMP LIFE)

PHOTOMETRIC DATA

CATALOG #2SMR332-TFS01-1/3-EB LAMPS = F32T8 INPUT WATTS = 84 LER = FL-71
 TEST #25201 S/MH=1.4 BALLAST = ELECTRONIC BALLAST FACTOR = .88 TER = 62
 FIXTURE EFFICIENCY= 78.7%

COMPARATIVE YEARLY LIGHTING ENERGY COST PER 1000 LUMENS = \$3.38 BASED ON 3000 HRS. AND \$.08 PER KWH.

CANDLEPOWER				
Angle	End	45	Cross	
0	2486	2486	2486	
5	2487	2476	2471	
10	2459	2461	2469	
15	2398	2431	2461	
20	2326	2388	2443	
25	2227	2325	2414	
30	2103	2248	2359	
35	1945	2141	2268	
40	1741	1981	2121	
45	1485	1758	1910	
50	1223	1469	1633	
55	953	1154	1314	
60	713	845	980	
65	523	581	692	
70	393	390	464	
75	307	284	317	
80	224	212	208	
85	123	115	106	

MAINTAINED ILLUMINATION TABLE- Square Feet/ Fixture*						
■ 80-50-20 Reflectances (Ceiling-Wall-Floor) ■ LLF = 0.75 2850 Lumens/Lamp very clean ■ Room width divided by room height = 5 or more, 2 or 1						
Fixture Size & # of Lamps	Room Width Room Height =	Approx. Area (sq. ft.) per Fixture				
		10 ft-c	30 ft-c	50 ft-c	70 ft-c	100 ft-c
2' X 4'	5	-	-	106	76	53
3-Lamp	2	-	123	74	53	37
T8	1	-	90	54	39	-

*Observe Fixture S/MH Requirements for Specific Applications

AVERAGE LUMINANCE CD/SQ.M WITH 2850 LUMEN LAMPS				
ANGLE	END	45°	CROSS	
45	3252	3850	4183	
55	2573	3115	3547	
65	1916	2129	2535	
75	1837	1699	1897	
85	2185	2043	1883	

TYPICAL V.C.P.'s						
Room Size	Mounting Height					
	Lengthwise	Crosswise	8.5	10	8.5	10
30x30	56	61	55	58		
40x40	53	56	53	55		
60x30	59	63	58	61		
60x60	49	52	50	52		
100x100	46	48	47	49		

COEFFICIENT OF UTILIZATION						
pfc	20			70		
	80	30	50	30	50	30
pc	70	50	30	70	50	30
pw	70	50	30	70	50	30
RCR	0	93	93	92	92	86
1	85	82	79	83	81	78
2	79	72	68	77	70	67
3	71	64	57	69	63	56
4	66	56	51	65	56	50
5	60	51	45	59	51	44
6	56	46	40	55	46	39
7	52	41	34	51	40	34
8	48	38	32	47	38	32
9	46	34	28	45	34	28
10	42	33	26	41	32	26

LIGHT DISTRIBUTION			
DEGREES	LUMENS	% LAMP	% FIXTURE
0-30	1996	23.3	29.7
0-40	3325	38.9	49.4
0-60	5684	66.5	84.4
0-90	6731	78.7	100.0

LLF = .75 LLF = LIGHT LOSS FACTOR LLF = LDD X LLD X BF LDD = VERY CLEAN 0.94 CLEAN 0.90
 LLD = 0.91 @ 40% RATED LAMP LIFE BF = .88 ELECTRONIC BALLAST & T8 LAMP (RELAMP AT 70% LAMP LIFE)



© 2014 Koninklijke Philips N.V. All rights reserved.
 Specifications are subject to change without notice.
www.philips.com/luminaires

Philips Lighting
 North America Corporation
 200 Franklin Square Drive
 Somerset, NJ 08873
 Phone: 855-486-2216

Philips Lighting Company
 281 Hillmount Road
 Markham ON, Canada L6C 2S3
 Phone: 800-668-9008