

Project: \_\_\_\_\_

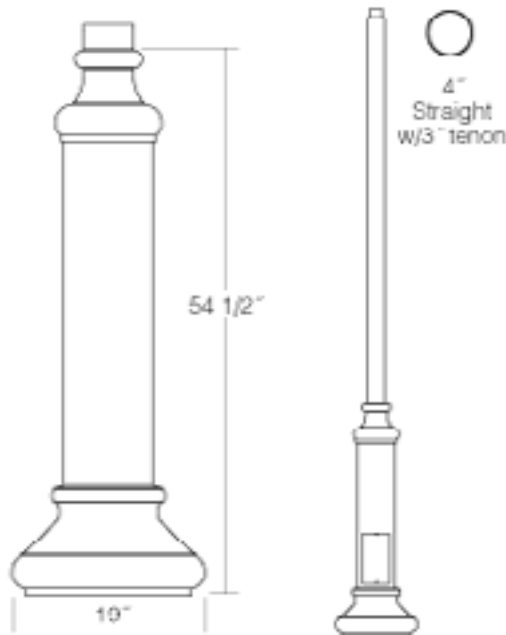
Location: \_\_\_\_\_

Cat.No: \_\_\_\_\_

Type: \_\_\_\_\_

Lamps: \_\_\_\_\_ Qty: \_\_\_\_\_

Notes: \_\_\_\_\_



### Ordering Guide

Example: P4130 12 A T D

Product Code	P4130	
<b>Pole Height</b>	12	12'
	14	14'
	16	16'
	18	18'
<b>Finish</b>	A	Black
	B	White
	G	Verde
	H	Bronze
	J	Green
<b>Outlet Location (Optional)</b>	T	12" Down from Top - Aligned with House Side
	B	4" Up from Top of Base - Aligned with House Side
<b>Outlet Options (Optional)</b>	D	Standard Duplex
	G	GFI Duplex

### Specifications

**HOUSING:**

356 HM high-strength, low-copper, proprietary cast aluminum alloy . 6005-T5 extruded aluminum. Anchor rods are hot dipped galvanized steel . Tenon is 356 HM sand cast aluminum.

**FINISH:**

A durable polyurethane enamel finish is applied after assemblies are shot blasted to create a surface profile which allows for the highest level of paint adhesion. Laboratory tested for superior weatherability and fade resistance in accordance with ASTM B-117-64 and ANSI/ASTM G53-77 specifications. For larger projects where a custom color is required, contact the factory for more information.

**WARRANTY:**

Three-year limited warranty.

**OUTLET:**

Standard Duplex Outlet has universal metal weatherproof cover. Weatherproof while in use. Heavy-duty all-metal construction. Lockable security cover. Meets NEC 406.9 (B). Weather resistant. GFI Duplex Outlet has dual-function indicator light, universal metal weatherproof cover. Weatherproof while in use. Heavy-duty all-metal construction. Lockable security cover. Meets NEC 406.9 (B). Weather resistant.

# P4130 P4130

## Pole

### Specifications

---

**Tenon/Top:**  
3" OD

**Bolt Circle:**  
8" - 14"

**Anchor Rods:**  
(4) 3/4" dia. x 19"

**Base Dimensions:**  
19" dia. x 54 1/2"

**Hand Hole :**  
6" x 11 1/2"

**Shaft:**  
4" Straight

**Wall Thickness:**  
0.125 Aluminum

**Height :**  
12', 14', 16', 18'

### Pole EPA Values

---

Windspeed(mph)	Height			
	12'	14'	16'	18'
80	16.7400	10.9000	9.0700	7.5300
100	10.2600	6.4300	5.1300	4.0300

