

Project: \_\_\_\_\_

Location: \_\_\_\_\_

Cat.No: \_\_\_\_\_

Type: \_\_\_\_\_

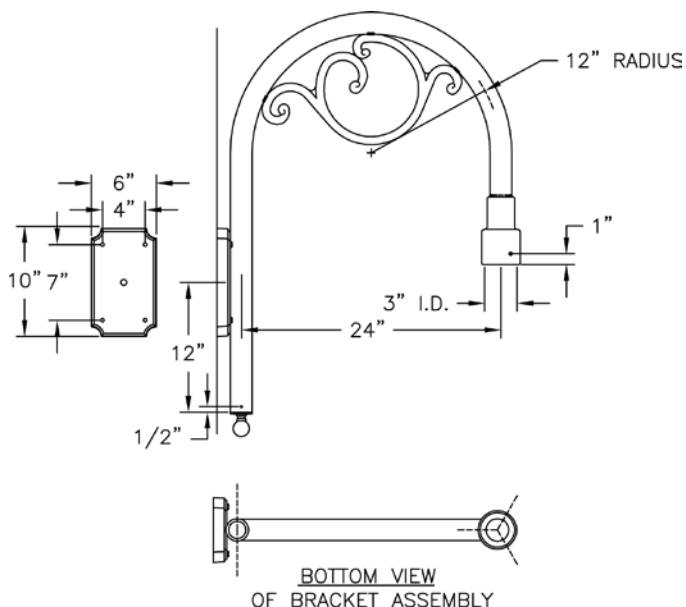
Lamps: \_\_\_\_\_ Qty: \_\_\_\_\_

Notes: \_\_\_\_\_

### Ordering Guide

Example: 250S ABS

Product Code	250S	Bracket Arm
<b>Finish</b>	ABS	Antique Brass
	ACP	Antique Copper
	ARD	Antique Red
	ASI	Antique Silver
	BLK	Black
	BRN	Brown
	BRZ	Bronze
	FGN	Forest Green
	GRA	Granite
	IRN	Ironstone
	RBZ	Rustic Bronze
	SRT	Shadow Rust
	VBZ	Verde Bronze
	VCP	Verde Copper
	VGN	Verde
	VTC	Vintage Copper
	WBZ	Weathered Bronze
	WHT	White



### Specifications

#### CONSTRUCTION:

2" dia. x .188" Wall aluminum tubing welded to 3" I.D. splicing fitter and wall plate. Decorative cast aluminum scroll welded to bent arm. Cast aluminum 2" x 3" splicing fitter welded to bent arm. Cast aluminum decorative wall plate. Decorative aluminum end cap with polished brass neck and brass ball secured to bracket end.

#### FINISH:

Resilient TGIC thermoset polyester powdercoat paint is electrostatically applied to every fixture. Specially formulated for Philips Outdoor Lighting, it provides UV protection, and the highest temperature rating in the industry. In addition to the standard color choices shown, a spectrum of custom colors is available.

#### MOUNTING:

See template and mounting instructions. Wire and wire nuts supplied for attaching to lantern and incoming power supply.

#### WARRANTY:

Three-year limited warranty.

**Height:**  
39 1/4"

**Width:**  
6"

**Projection:**  
27 1/4"

**Max. Weight:**

