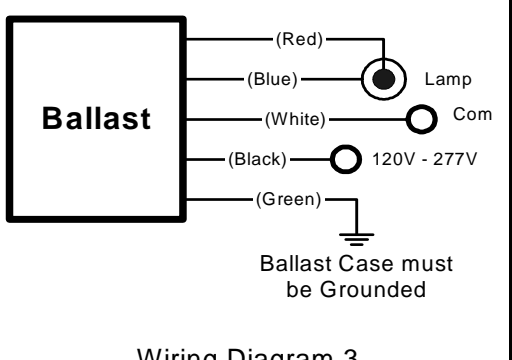
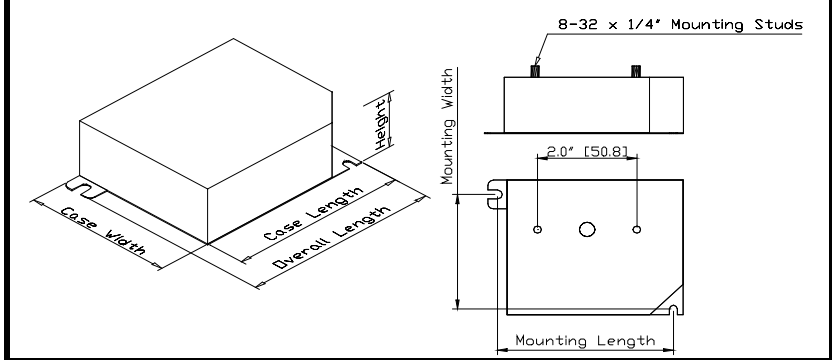


	<b>e-Vision® Electronic Ballast for Metal Halide Lamps</b>	Catalog Number: IMH-P39-G For 39W Philips Mini Master Color Lamps ANSI C179/M179 120-277 50/60Hz Electronic Status: RELEASED
---	--	--

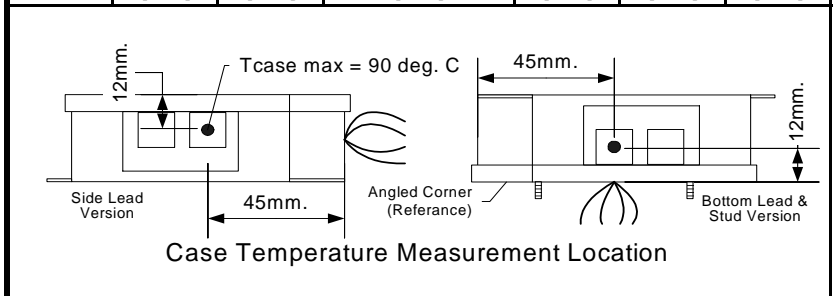
**DIMENSIONS AND DATA**

Lamp		Input Volts	Catalog Number*	Line Current (Amps)	Input Power (Watts)	Min Power Factor	Wiring Diag	Fig.	Weight (lb)	Max. Distance to Lamp (ft)
Number	Watts									
39W Watt Lamp, ANSI Code C179/M179 Minimum Starting Temp -20°C/-4F										
1	39	120 277	IMH-P39-G-XXX	0.39 0.17	46 45	0.9	3	G	0.9	5



Case Figure	Overall Length	Case Length	Case Width	Height	Mounting Length	Mounting Width
G	97mm [3.8"]	90mm [3.5"]	77mm [3.0"]	30mm [1.2"]	87mm [3.4"]	67mm [2.6"]

Wiring Diagram 3



- INSTALLATION & APPLICATION NOTES:**
- Maximum allowable case temperature is 90°C. See figure above for measurement location
  - Ignition pulse is 2.5 kV max
  - All leads are 9 inches long
  - Ballast output will shutdown after 20 minutes if lamp fails to ignite
  - Power must be cycled off – then on, after replacing lamp

*Ordering Information	
Order Suffix	Description
-LF	Ballast with side exit leads and mounting feet
-BLS	Ballast with bottom exit leads and mounting studs

Data is based on tests performed by Philips Advance in a controlled environment and is representative of relative performance. Actual performance can vary depending on operating conditions. Specifications are subject to change without notice. All specifications are nominal unless otherwise noted.

## Philips Lighting Electronics N.A.

10275 West Higgins Road • Rosemont, IL 60018 • [www.philips.com/advance](http://www.philips.com/advance)  
 Tel: 800-322-2086 • Fax: 800-423-1882 • Customer Support: 800-372-3331 • OEM Support: 866-915-5886