

**PHILIPS**

LRM8120



## Product guide

# LRM8120

## Lum Bas Ind Ext Sensor H513 N

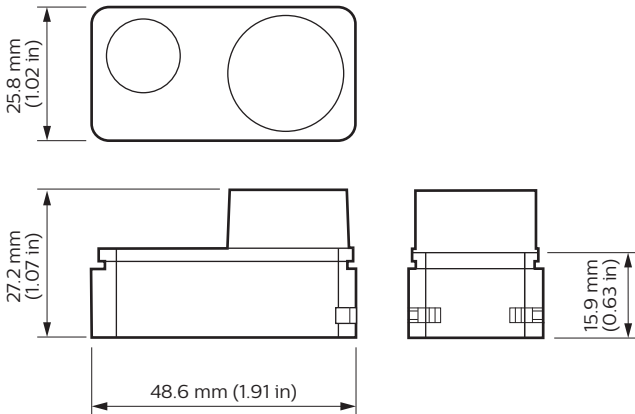
The Philips luminaire based industry extension sensor H513 N (LRM8120) is a small, lightweight sensor designed for integration into luminaires.

The Lum Bas Ind Ext Sensor H513 N can be used in combination with the ActiLume DALI gen2 (LLC1663) controller. The extension sensor is specifically designed to be used in places with high ceilings such as warehouses; retail shops etc. but can also be applied in office or corridor like applications. The extension sensor uses a passive infra-red (PIR) receiver for movement detection.

# LRM8120

- The Philips Lum Bas Ind Ext Sensor H513 N is a luminaire based detector designed for increasing the detection area of the multi-sensor LRI1663.
- The Lum Bas Ind Ext Sensor H513 N has two flying leads and is connected to the DALI line of the controller.
- The front of the sensor has an IP65 protection rating.

## Dimensional drawing



LRM8120

## Applications

The Lum Bas Ind Ext Sensor H513 N is optimized for high ceiling situations, warehouse and such, but can also be used in for other applications.

## Philips quality

This ensures quality with respect to:

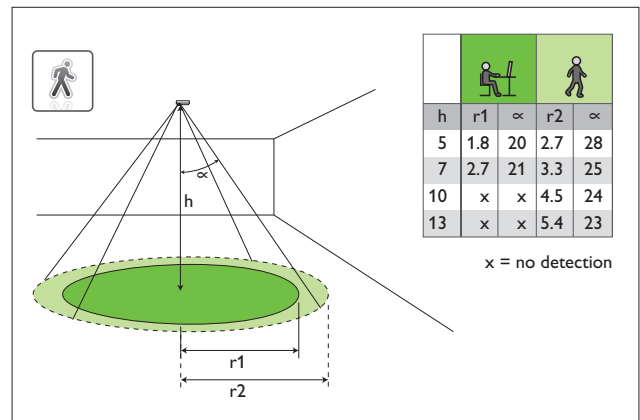
- System supplier
- As manufacturer of lamps, LED's, electronic control gear and lighting control equipment, Philips ensures that, from the earliest development stage, optimum performance is maintained.
- International standards
- Philips lighting control equipment complies with all relevant international rules and regulations.

## Movement sensor



The detection area for the movement sensor can be roughly divided into two parts:

- minor movement (person moving  $\leq 0.9\text{m/s}$ )  
 $\varnothing 5.4\text{m}$  at 7m height.
- major movement (person moving  $\geq 0.9\text{m/s}$ )  
 $\varnothing 10.8\text{m}$  at 13m height.

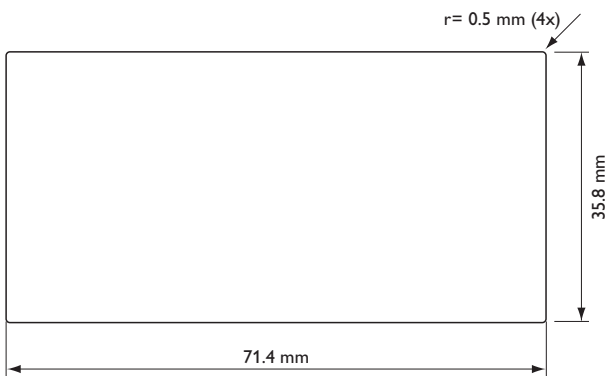


Detection pattern diagram (at 20°C ambient)

# Mounting

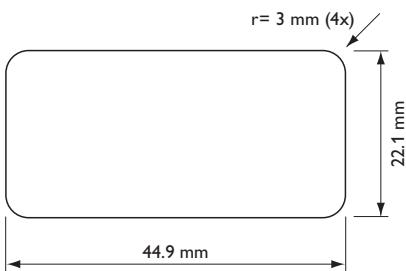
The sensor has latching rills on the back so it can be mounted easily. There are several methods of mounting available:

- directly onto the lamp by means of an additional clip LCA8002 (TL5) or LCA8003 (TL-D).
- inside the luminaire housing using the additional clip LCA8007. To use this clip a hole needs to be cut (punched) according to the dimensions as indicated in figure 1.
- directly inside the luminaire housing whereby a hole needs to be cut (punched) according to figure 2.



Note: Thickness of luminaire fixture: 0.5 ... 2.0 (mm)

Figure 1: Cutout (punch) pattern when mounting with clip LCA8007



Note: Thickness of luminaire fixture: 0.5 ... 1.2 (mm)

Figure 2: Cutout (punch) pattern when using direct mounting



## LRM8120 Lum Bas Ind Ext Sensor H513 N

Luminaire based extension sensor to enlarge the movement detection area. To be used in combination with one of the controllers from the ActiLume gen2 family. Color of the product is white (similar to RAL9016).



## LCA8007 mounting clip for ActiLume G2 Indus Sensor H513 (N)

Mounting clip for the ActiLume G2 Indus Sensor H513 (N) when the sensor is to be mounted in the luminaire housing. Color of the product is white (similar to RAL9016).



## LCA8002 ActiLume sensor clip for TL5

Clip to be used for ActiLume multisensor, ActiLume Luminaire based extension sensor, ActiLume 1-10V sensor, ActiLume MicroLuxSense and ActiLume G2 Indus Sensor H513 (N). With this clip the sensor can be directly clicked on TL5 lamps.



## LCA8003 ActiLume sensor clip for TL-D

Clip to be used for ActiLume multisensor, ActiLume Luminaire based extension sensor, ActiLume 1-10V sensor, ActiLume MicroLuxSense and ActiLume G2 Indus Sensor H513 (N). With this clip the sensor can be directly clicked on TL-D lamps.

# Specifications

## Viewing angle

movement sensor ≈45° (circular)\*  
(passive infra-red)

\* see table on page 2 for details

## Environmental

Temperature 0° C ... +55° C (operating)  
-25° C ... +85° C (storage and transport)  
Relative humidity 20% to 80% non-condensing  
(operating)  
10% to 95% non-condensing (storage  
and transport)

## Compliances and approvals

Protection rating IP65 front surface (IP20 rest)  
Pollution degree 2  
Safety IEC60598-1  
EN 61347-1  
EN 61374-2-11  
Quality standard ISO 9001  
Environmental ISO 14001  
standard CE

## Physical

Dimensions H 48.6 mm x W 25.8 mm x D 27.2 mm  
with LCA8007 H 75.5 mm x W 39.9 mm x D 27.2 mm  
Weight 34 grams  
Housing  
color white (RAL9016)  
outer material Sabic lexan 915R  
flame rating V-0 at 1.1 mm  
glow wire test 850° Celsius for ≤ 5 s  
insulation for ≥ 1500V  
safety  
ball pressure test 110° C  
surface texture spark erosion VDI 3400 Ref. 27  
Cable length 1 m.  
Connector type 2 flying leads  
Extension of cable Yes (max 5.0 m)  
allowed  
Power consumption max 10mA at 22.5V

## Ordering data

Full product name LRM8120/05 Lum Bas Ind Ext Sensor  
H513 N  
Order code 9137 003 62903  
EAN1 8718291 789802  
EAN3 8718291 789819  
EOC 789802 00

Full product name LCA8002/00 ActiLume clip TL5 set  
50pce  
Order code 9137 003 40803  
EAN1 8718291 952940  
EAN3 8718291 952957  
EOC 952940 00

Full product name LCA8003/00 ActiLume clip TL-D set  
50pce  
Order code 9137 003 40903  
EAN1 8718291 952988  
EAN3 8718291 952995  
EOC 952988 00

Full product name LCA8007/05 ActiLume Mntg Clip  
H513 25 W  
Order code 9137 003 58803  
EAN1 8718291 727927  
EAN3 8718291 727934  
EOC 727927 00

