

PHILIPS

CMFIC/TMFIC/ZMFIC Series

75W-150W Emergency
Luminaire
Damp Location

INSTALLATION AND OPERATING INSTRUCTIONS

IMPORTANT SAFEGUARDS

When using electrical equipment, basic safety precautions should always be followed, including the following:

READ AND FOLLOW ALL SAFETY INSTRUCTIONS

All servicing should be performed by qualified personnel only.

Equipment should be mounted in locations and at heights where it will not be readily subjected to tampering by unauthorized personnel.

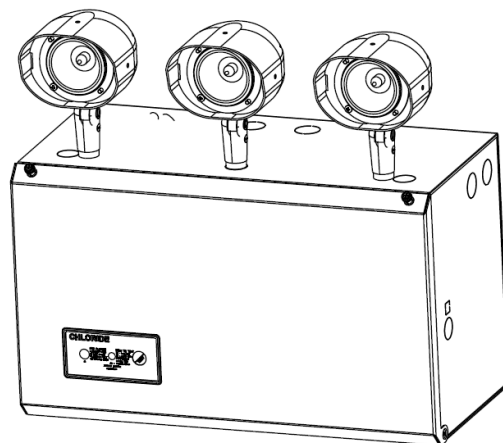
The use of accessory equipment not recommended by the manufacturer may cause an unsafe condition.

Do not use this equipment for other than intended use.

Do not use outdoors.

Do not let supply cords touch hot surfaces.

Do not mount near gas or electric heaters.



CAUTION: Halogen cycle lamp(s) are used in this equipment. To avoid shattering: Do not operate lamp in excess of rated voltage, protect lamp against abrasion and scratches and against liquids when lamp is operating, dispose of lamp with care.

Halogen cycle lamps operate at high temperatures. Do not store or place flammable materials near lamp.

CAUTION: “To avoid electrical overload, total connected lamp load (factory and field installed) should not exceed output rating”.

SAVE THESE INSTRUCTIONS

WARNING – Shut off AC power to branch circuits to which units will be connected. All wiring should be per N.E.C. Articles 501-4(b) and local codes.

To maintain warranty, equipment with batteries must be installed or placed on charge within prescribed period after shipment.

PHILIPS

Philips Lighting North America Corporation
200 Franklin Square Drive
Somerset, NJ 08873, USA
Phone: 855-486-2216
www.philips.com/luminaires

Philips Lighting Canada Ltd.
281 Hillmount Road,
Markham, ON, Canada L6C 2S3
Phone: 800-668-9008
www.philips.com/luminaires

9140053341DL February 2016

GENERAL INSTRUCTIONS

- 1) Begin the installation process by securing the unit less battery to the mounting surface. Three slotted vertical keyway knockouts in the housing are to be used to attach the housing to independent anchor supports. Use three 1/4" toggle bolts (supplied by others) minimum to secure the unit to drywall. If mounting to hollow concrete masonry, a minimum of two 1/4" toggle bolts must be used. When using wall recessed wiring, the slotted, circular keyways can be used to secure the housing to a standard junction box for wiring purposes only. Run the wires through center hole of housing in preparation for unit wiring. For surface conduit wiring, there are a total of six knockouts which can be used for service entrance and exit.
- 2) If desired, wall mounting can also be accomplished with use of the optional mounting shelf (See Optional Mounting Shelf and Figure 2).

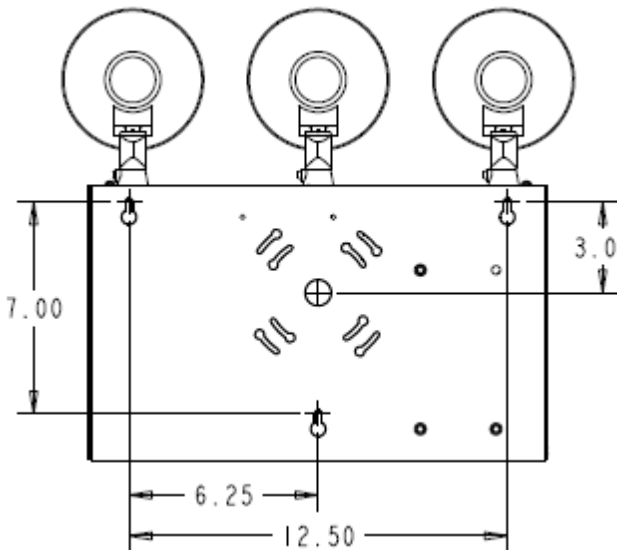


Figure 1

HOOKUP INSTRUCTIONS

Standard Units:

Connect A.C. service to unit charger leads:

Blue = 277 VAC

Black = 120 VAC

White = Common

Green = Ground

1. Connect remote lamps, if applicable, to orange and yellow flying leads connected to RL+ and RL- respectively. Ensure total unit load (including internal lamps) does not exceed unit rating.
2. Adjust head(s) to illuminate desired area(s).
3. Close cover and screw shut. Ensure electrical wires and membrane switch cable remain inside unit and that the cover does not pinch wires when closed. Hand tighten two thumb nuts to finalize cover closure.

INSTALLING BATTERIES

1. Units ship without batteries installed. For lead units, battery wiring harnesses are already connected to PCB assembly and connection to the batteries is required. In the case of Nicad units, connection of battery harness to the PCB is required.
2. Install and wire batteries as appropriate. (See Page 5-8 for battery configurations)
3. Tighten straps to secure batteries inside unit.

OPTIONAL MOUNTING SHELF

1. If the unit is to be mounted to poles, columns or I-Beams, use the optional mounting shelf kit and strapping kit (ordered separately).
2. Use four 1/4" toggle bolts (supplied by others) minimum to secure the unit to drywall and hollow concrete masonry.

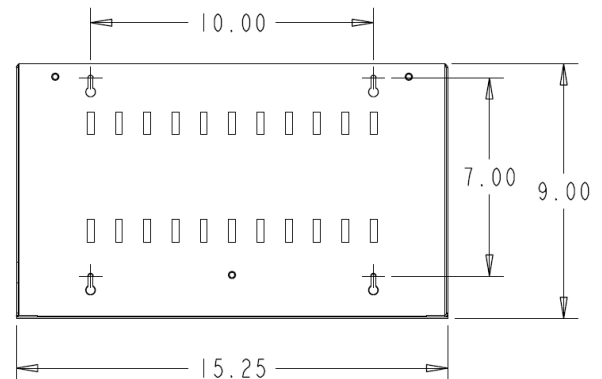


Figure 2

3. Once the mounting shelf is installed, the unit is ready for installation.
4. Place unit on shelf less batteries and secure with three (3) securing screws (supplied with mounting shelf) to shelf threaded inserts.

PHILIPS

Philips Lighting North America Corporation
200 Franklin Square Drive
Somerset, NJ 08873, USA
Phone: 855-486-2216
www.philips.com/luminaires

Philips Lighting Canada Ltd.
281 Hillmount Road,
Markham, ON, Canada L6C 2S3
Phone: 800-668-9008
www.philips.com/luminaires

9140053341DL February 2016

Self Diagnostic System Operation – Emergency Light or EXIT Sign Products

Normal Power Up Sequence

At power up the red and green LED indicators will alternately flash for one to two seconds. Next the product will execute a “Power Up Quick Test” causing the green LED indicator to flash rapidly. If any faults are detected during the “Power Up Quick Test” these will be evident by a flashing red LED indicator. If the audible diagnostic option has been ordered, the flashing red LED will be accompanied by a simultaneous beeping tone. **(Note: A continuous rapid alternating Red/Green flash with rapid beeping tone indicates 277V applied to 120V input lead. TURN OFF POWER IMMEDIATELY!)**

Emergency Operation

Emergency operation occurs when AC power fails. The product remains in emergency operation until AC power is restored or battery capacity is depleted. During emergency operation both red and green LED indicators are disabled.

User Interface

Green LED indicator

- Slow Flash/Continuous ON = AC power present; normal operating condition
- Rapid Flash = product performing an automatic or manually initiated diagnostic test

Red LED indicator

- Single Flash = battery fault
- Two Flashes = lamp failure (light bar failure – EXIT signs)
- Three Flashes = charger fault
- Four Flashes = transfer fault

(If more than one fault condition is present simultaneously, the red LED will flash the indication pattern for each fault independently then repeat the cycle.)

Pushbutton Test Switch

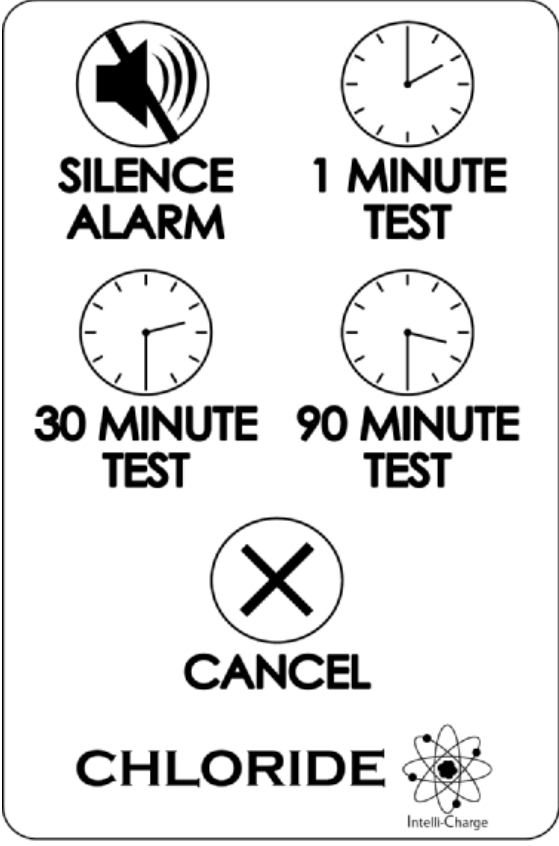

- Long Press (longer than 0.5sec) transfers product to emergency operation during time the button is pressed.
- Short Press initiates self diagnostic activities as follows:
 - One Press cancels diagnostic test presently running.
 - Two Presses starts a one minute diagnostic test.
 - Three Presses starts a 90 minute diagnostic test.
 - Four Presses conducts a lamp load calibration (emergency light products only).
 - Seven Presses initiates a system reset.

(Note: the microprocessor will allow up to seven, one minute diagnostic tests within the first 24 hours of operation. Allow 24 hours of charging before performing any long duration testing.)

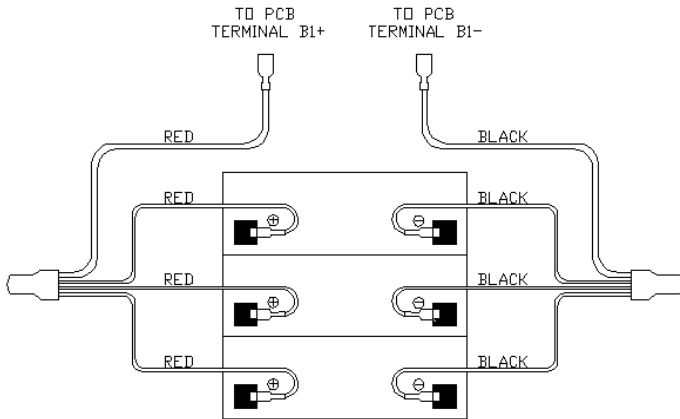
Buzzer (optional)– Sounds in unison with the flashing red LED if a fault condition is present. Buzzer may be silenced for up to 196 hours by a short press of either the test switch or the optional IR remote control device “silence” button. Correcting fault condition will cancel fault notification. Lamp failure indication requires a manually activated diagnostic test after lamp replacement to cancel notification.

IR Remote Control (optional)- is a hand held device that allows remote activation of diagnostic testing and silencing of the optional buzzer during fault conditions.

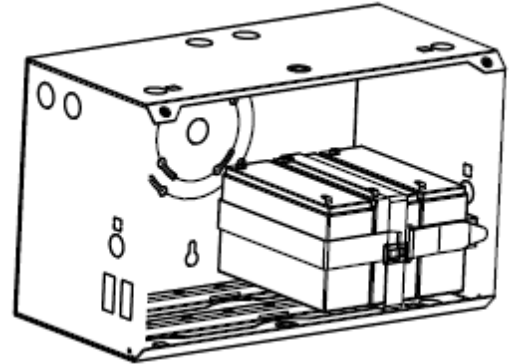


 <p>SILENCE ALARM</p> <p>1 MINUTE TEST</p> <p>30 MINUTE TEST</p> <p>90 MINUTE TEST</p> <p>CANCEL</p> <p>CHLORIDE </p>		<p>OPTIONAL REMOTE CONTROL</p> <p>Front</p> <p>Press appropriate button to perform the indicated test or silence the audible alarm.</p> <p>Cancel stops any test currently in process.</p>
<div style="border: 1px solid black; padding: 5px;"> <p>System Reset: Two presses of "SILENCE ALARM" button followed by two presses of "CANCEL" button.</p> <p>Interpretation of Flashing Indicator lights on Equipment:</p> <p>Green LED Indicator:</p> <ul style="list-style-type: none"> • Steady On - Normal • Slow Flash - Battery Charging • Fast Flash - Unit is self-testing <p>Red LED Indicator:</p> <ul style="list-style-type: none"> • Single Flash - Battery Fault • Double Flash - Lamp Failure • Triple Flash - Charger Fault • Quad Flash - Emergency Transfer Failure <p>Red and Green LED indicators flashing together:</p> <ul style="list-style-type: none"> • Slow Flashing - Low Line Voltage • Fast Flashing - High Line Voltage <p>Unit Equipment Lamp Calibration</p> <p>Press "Silence Alarm" twice followed by one press of "Cancel" and one press of "Silence Alarm"</p> <p>For Service Call (910)259-1000</p> </div>		<p>Back</p> <p>Explanation of indicator light flash sequences.</p> <p>Refer to Table 2 above for further information.</p>

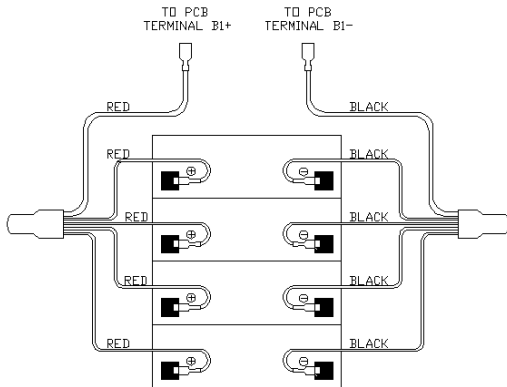
BATTERY HOOKUP DIAGRAMS



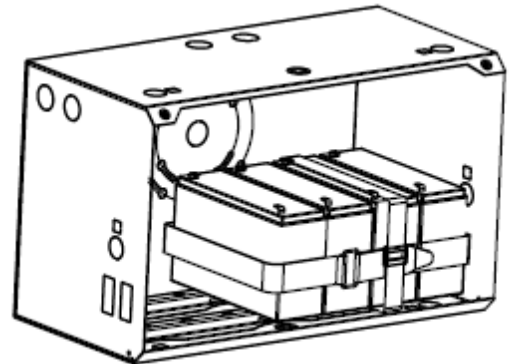
6V 75W LEAD



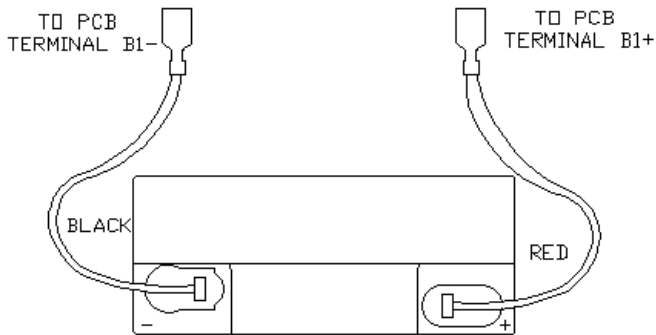
6V 75W LEAD



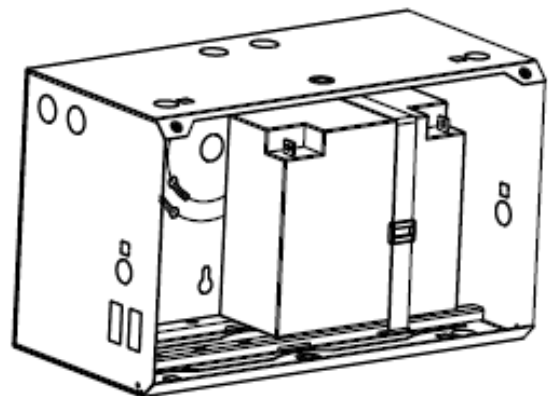
6V 100W LEAD



6V 100W LEAD



12V 75W LEAD



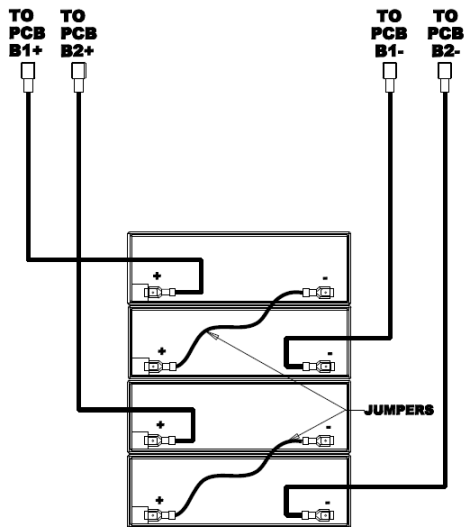
12V 75W LEAD



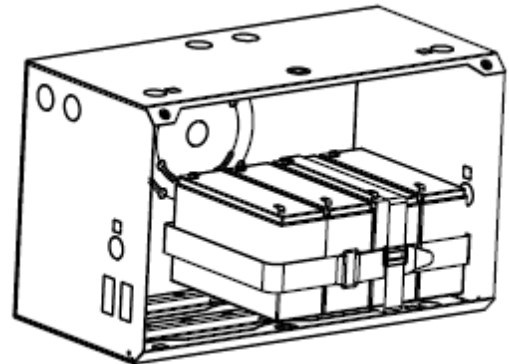
Philips Lighting North America Corporation
 200 Franklin Square Drive
 Somerset, NJ 08873, USA
 Phone: 855-486-2216
www.philips.com/luminaires

Philips Lighting Canada Ltd.
 281 Hillmount Road,
 Markham, ON, Canada L6C 2S3
 Phone: 800-668-9008
www.philips.com/luminaires

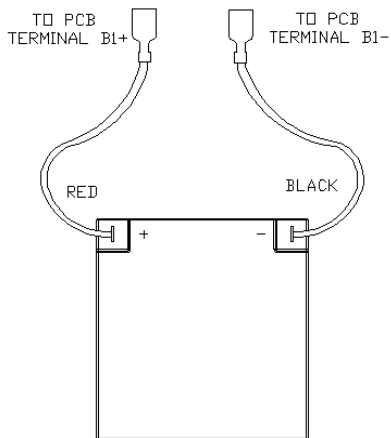
9140053341DL February 2016



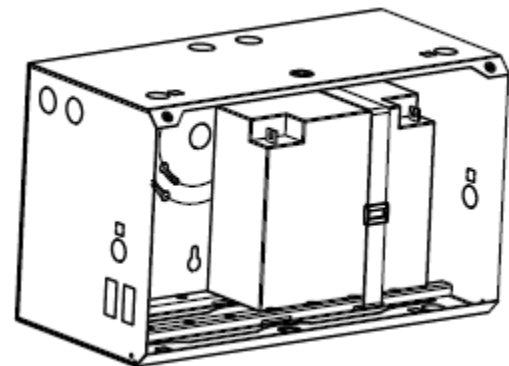
12V 100W LEAD



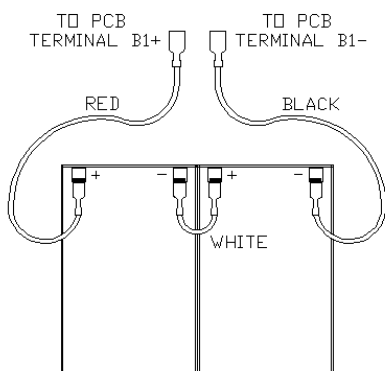
12V 100W LEAD



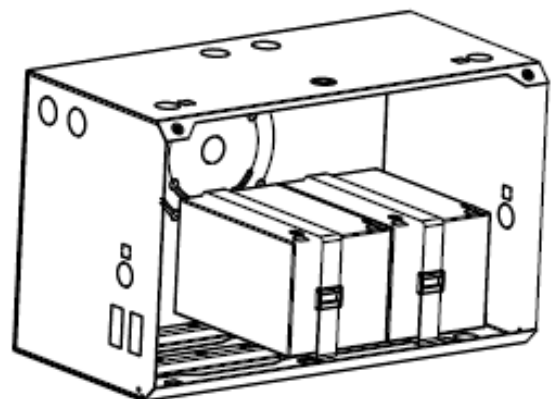
12V 150W LEAD



12V 150W LEAD



24V 100W LEAD



24V 100W LEAD



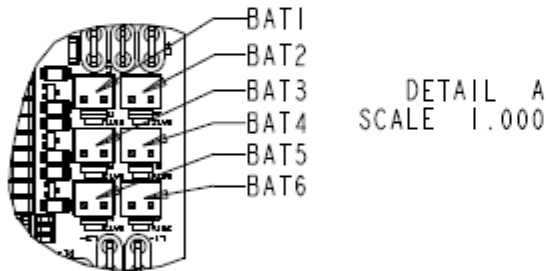
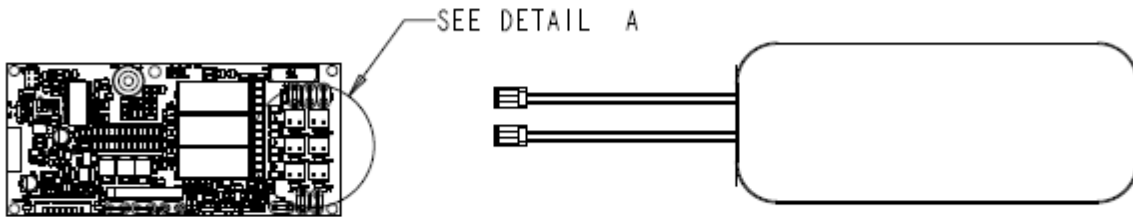
Philips Lighting North America Corporation
 200 Franklin Square Drive
 Somerset, NJ 08873, USA
 Phone: 855-486-2216
www.philips.com/luminaires

Philips Lighting Canada Ltd.
 281 Hillmount Road,
 Markham, ON, Canada L6C 2S3
 Phone: 800-668-9008
www.philips.com/luminaires

9140053341DL February 2016

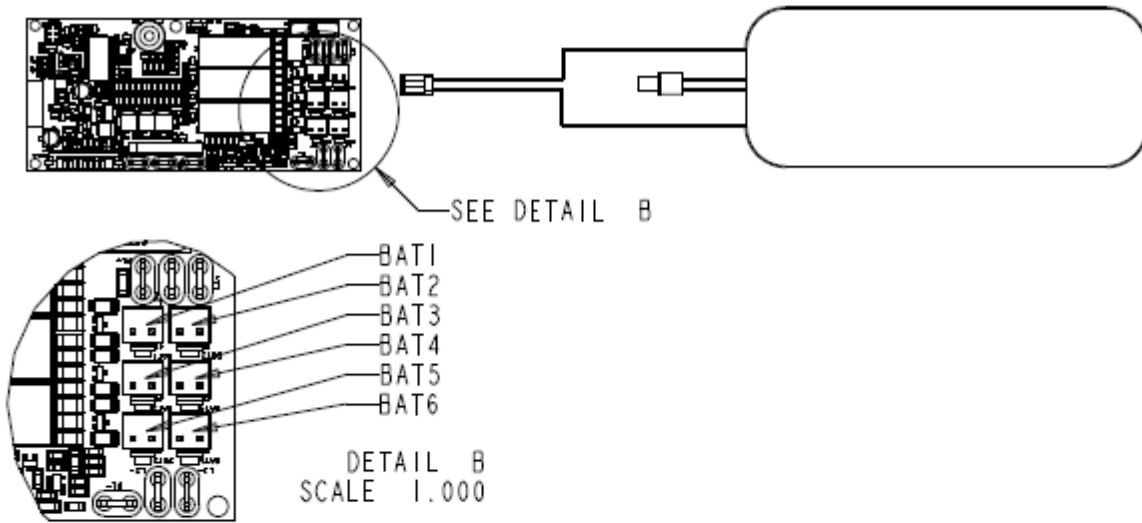
NICAD BATTERY HOOKUP DIAGRAMS

6V NICAD BATTERY HOOKUP



VOLTAGE	WATTAGE	BATTERY	BAT1	BAT2	BAT3	BAT4	BAT5	BAT6
6	25	1	X	X				
6	50	1	X	X				
		2			X	X		
6	75	1	X	X				
		2			X	X		
		3					X	X

12V NICAD BATTERY HOOKUP



VOLTAGE	WATTAGE	BATTERY	BAT1	BAT2	BAT3	BAT4	BAT5	BAT6
12	25	1	X					
12	50	1	X					
		2		X				
12	75	1	X					
		2		X				
		3			X			
12	100	1	X					
		2		X				
		3			X			
		4				X		
12	125	1	X					
		2		X				
		3			X			
		4				X		
		5					X	
12	150	1	X					
		2		X				
		3			X			
		4				X		
		5					X	
		6						X

