

**READ AND UNDERSTAND THESE INSTRUCTIONS BEFORE INSTALLING FIXTURE**

This fixture is intended for installation in accordance with the National Electrical Code and local regulations. To assure full compliance with local codes and regulations, check with your local electrical inspector before installation. To prevent electrical shock, turn off electricity at fuse box before proceeding.

**Retain these instructions for maintenance reference.**

**INSTRUCTION SHEET NO.**

**IS:2027**

**R0894 Page 1 of 1**

**INSTALLATION PROCEDURE FOR REFLECTOR TRIM 2027 AND 2029 SERIES  
IN THE 2000P1, 2000IC AND 2000AIC FRAME-IN KIT**

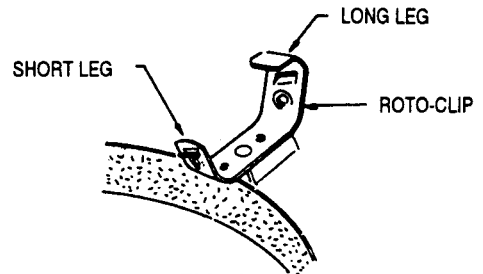
**1. FRAME-IN**

See Frame-In Kit Instruction Sheet for installation procedure.

**2. ROTATE ROTO-CLIPS (Fig. A)**

Rotate (3) Roto-Clips so that the short legs extend inwardly toward the center opening.

**NOTE:** For Reflector Trims: 2005, 2008, 2010, 2012, 2013, 2013BK, 2013WH use longer legs.

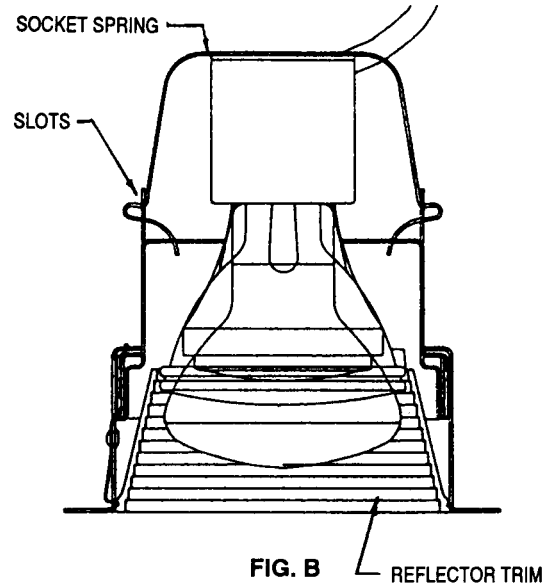


**FIG. A**

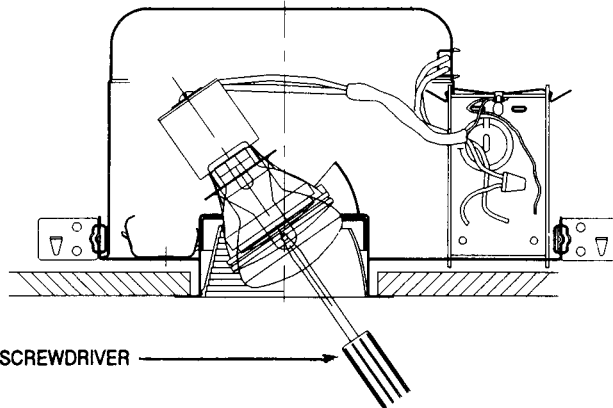
**3. TRIM INSTALLATION**

- A. Insert Socket Spring into slots of Reflector Trim. (Fig. B)
- B. Push Reflector Trim straight up until it is tight against ceiling.
- C. Lamp fixture with appropriate lamp. (see wattage label)
- D. Vertical adjustment can be done by inserting a screwdriver into slot in leg of Lamp / Yoke, and using the screwdriver as a lever, tilt the entire Lamp / Yoke to the desired angle. (Fig. C)
- E. Horizontal adjustment can be done by rotating Lamp / Yoke to desired position.

**NOTE:** To remove Reflector Trim turn Reflector Trim counter-clockwise while pulling downward.



**FIG. B**



**FIG. C**

**LIGHTOLIER®**

**SECAUCUS, NEW JERSEY 07096  
MONTREAL, QUEBEC, CANADA**