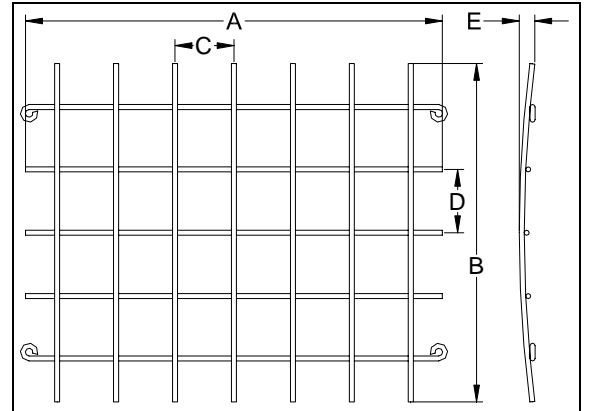
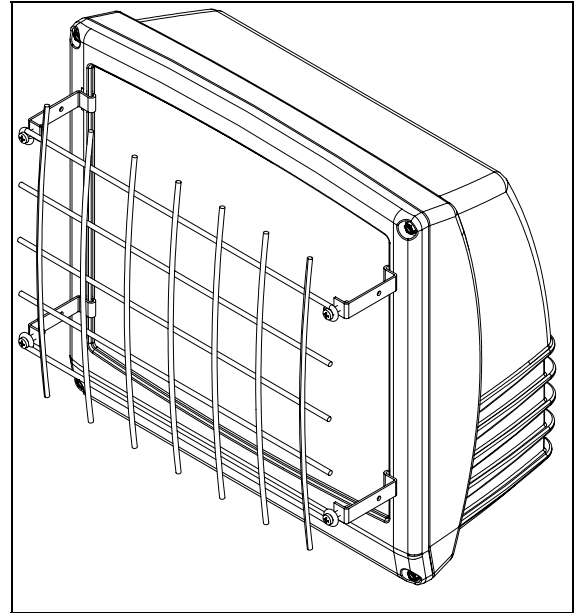


#### SPECIFICATIONS:

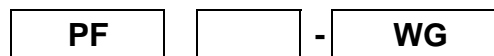
- Material Ø0.125" diameter zinc plated steel.
- Installs on front face of fixture to protect glass lens from vandalism.
- Mounts to four (4) supplied accessory clips with screws.
- Accessory clips are 1" in length for Sizes PF1 & PF2, and 2" for Sizes PF3, PF4 & PF5.
- All mounting hardware is included.
- PentaFlood Wireguard (WG) can be combined and used together with the Vandal Shield (VS) and Top Visor (TV) or Full Visor (FV).



SIZE	DIMENSION				
	A	B	C	D	E
PF1	5.25" [133mm]	4.40" [112mm]	1.75" [44mm]	1.25" [32mm]	0.40" [10mm]
PF2	7.75" [197mm]	7.83" [199mm]	1.69" [43mm]	2.12" [54mm]	0.42" [11mm]
PF3	12.38" [314mm]	10.02" [254mm]	1.75" [44mm]	1.88" [48mm]	0.46" [12mm]
PF4	12.63" [321mm]	10.52" [267mm]	1.94" [49mm]	2.09" [53mm]	0.52" [13mm]
PF5	18.53" [471mm]	14.89" [378mm]	2.06" [52mm]	2.06" [52mm]	0.59" [15mm]

#### ORDERING GUIDE:

Example: PF3-WG



Series	Size	Mounting
PF : PentaFlood	1	WG : Wireguard
	2	
	3	
	4	
	5	

PROJECT: \_\_\_\_\_

TYPE: \_\_\_\_\_ CATALOGUE NUMBER: \_\_\_\_\_