

# INSTALLATION INSTRUCTIONS

## 941 LINE STUD WALL CONSTRUCTION

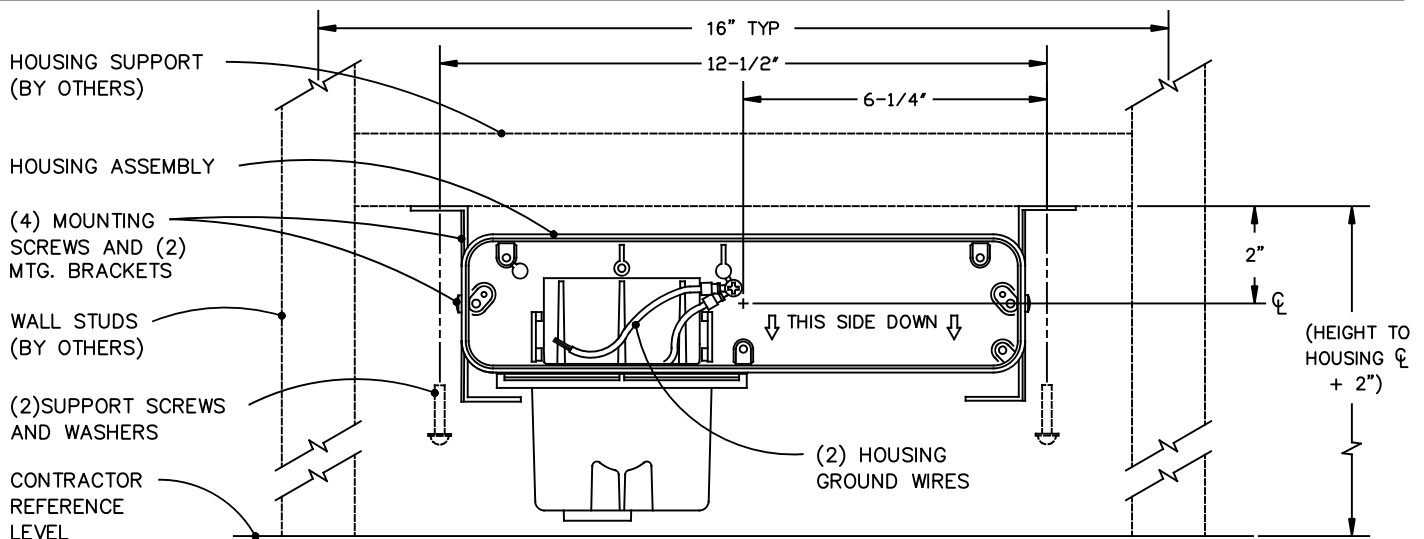


FIG. 1

### IMPORTANT!

BE SURE ALL POWER IS OFF PRIOR TO INSTALLING FIXTURES. READ ALL INSTRUCTIONS BEFORE PERFORMING ANY WORK.

### Housing Installation

1. Remove the housing assembly and mounting kit from carton.
2. Attach mounting brackets from mounting kit to housing per fig. 1 using screws on housing, slots towards rear of housing.
3. The j-box was positioned at the factory for most stud wall installations. If necessary, prior to installation, reposition j-box per fig. 2 to custom fit requirements.
4. Use dimensions provided by site contractor and figs. 1 and 2 to pre-locate housing supports. Suggest fabricating supports using scrap wall stud material.
5. Position, level, and install the housing supports from step 4 between wall studs per figs. 1 and 2. Insure supports are level front to back as well as side to side.
6. Install support screws and washers, supplied by others, to housing supports just installed. Locate and space per figs. 1 and 2 and site contractor dimensions. Do not fully tighten.
7. Hang housing assembly on support screws per fig. 2, positioning front of housing flush with outside finish surface of wall sheathing, (drywall, wood, etc.) per fig. 2. Use small scrap piece of actual sheathing as a guide. \*Sheathing to be installed later by others.\*
8. Tighten support screws to secure housing to structure.
9. Install conduit, if used, to j-box 3/4 NPT threaded conduit connections. Only remove the plugs necessary to do the installation.
10. Branch circuit wiring to be installed per NEC or applicable local codes.
11. Install sheathing. Keep gap between housing edges and sheathing no greater than 1/8".
12. Seal gap between outer edge of housing and sheathing with silicone RTV or equivalent. See fig. 2.

**IMPORTANT!** AT ALL TIMES WIRING TO BE DONE PER THE NEC OR APPLICABLE LOCAL CODES.

### Wiring, Ballast Assembly, and Face Plate Installation

1. Remove ballast assembly and face plate assembly from shipping carton.
2. Connect one of the two housing ground pigtails (green) to the branch circuit ground lead and the other pigtail to the ballast assembly ground lead.
3. Connect the ballast tray phase lead (black) and neutral lead (white) to the branch circuit phase and neutral leads.
4. Dress excess wiring and push into j-box. Attach ballast assembly into housing per fig. 2 using (3) self tapping screws provided in the housing.
5. Install appropriately rated lamp (by others) into socket.
6. Install face plate with mounting screws per fig. 2. Be sure mounting screws are snug, but do not over tighten. When installing the open face plate, take note of the arrow on the back indicating orientation.
7. The circuit is now ready to energize.

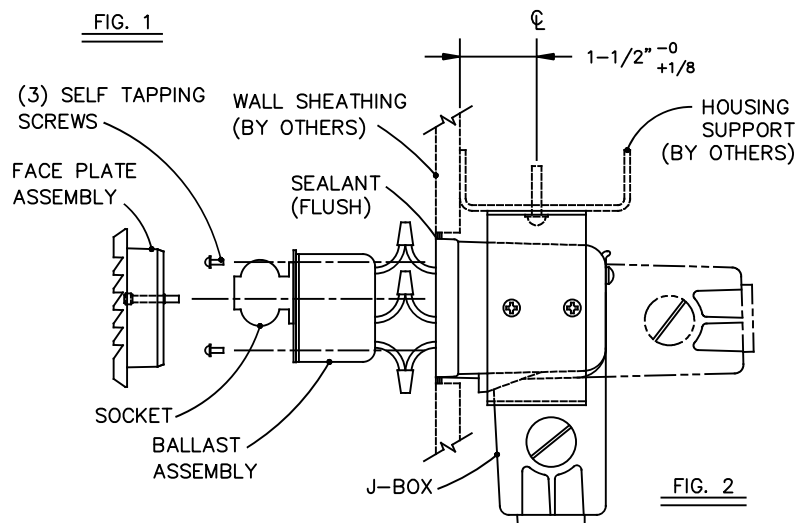


FIG. 2

(U)