



The original!

PL-S 4 Pin

PL-S is an efficient low-wattage compact fluorescent lamp, typically used for decorative and orientation purposes. The original Philips-invented bridge technology guarantees optimum performance in the application, enabling more light and higher efficacy than the bended technology. The 4-pin version is designed for operation on electronic gear and is provided with a plug-in/pull-out lamp base.

Benefits

- Optimal light performance for short or long operation per switch-on
- Multiple light color choice
- Good color rendering (CRI >80)
- Dimming possible down to 10%

Features

- 4-pin base
- Fluorescent tri-phosphor technology
- Low light depreciation over lamp life

Application

- Designed for use in hotels, restaurants, theatres and homes
- Suitable for use in signs, corridors, security and orientation lighting

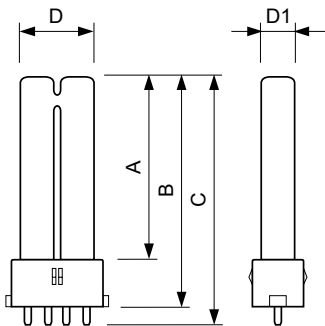
PL-S 4 Pin

Versions



11W, 2G7, 4P

Dimensional drawing



PL-S 11W/840/4P

Product	D	D1	C
PL-S 11W/840/4P 1CT/25	27.1 mm	10 mm	219.9 mm

