



# Product Description

## MASTERColour CDM-TC Elite

Single-ended, compact size, high-efficiency Ceramic Metal Halide discharge lamp

### Benefits

- Outstanding rendering of displayed merchandise due to high color rendering (Ra 90) in combination with high lumen output; best offer in the market for 'enhancing merchandize'
- Excellent color quality remains stable over lifetime
- Light output over lifetime maintains display brightness
- High efficacy and long lifetime for lowest operating costs and low heat generation
- Relatively low heat generation enhances comfort for shoppers and staff
- UV Block for reduced fading risk of merchandise
- Allows design of very compact luminaires with high beam intensities

### Features

- Crisp white light
- Excellent color rendering (Ra 90)
- Reliable lifetime performance
- Stable color performance during lifetime
- Increased light output compared with regular MASTERColour lamps
- Improved maintenance compared with regular MASTERColour lamps
- Burning position for
  - CDM Elite-TC 35W: vertical +/- 60 degrees
  - CDM Elite-TC 70W: universal

### Application

- Accent and display lighting with a sparkling effect, excellent solution for Retail
- General and decorative lighting

# MASTERCLOUR CDM-TC Elite

## Versions



CDM-TC, 20W, /830



CDM-TC Elite 35W /930 /942

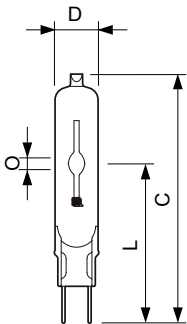
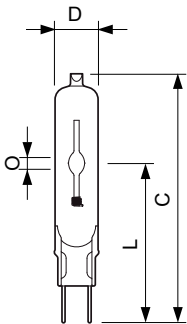


CDM-TC Elite 70W /930 /942



CDM-TC Elite 50W /930, /942

## Dimensional drawing



Product	D (max)	D	O	L (min)	L (max)	L	C (max)
MASTERCLOUR CDM-TC Elite 20W/830 G8.5 1CT/12	15 mm	0.55 in	4 mm	51 mm	53 mm	52 mm	85 mm

Product	D (max)	O	L (min)	L (max)	L	C (max)
MASTERCLOUR CDM-TC Elite 70W/942 G8.5 1CT	15 mm	7.75 mm	51 mm	53 mm	52 mm	85 mm
MASTERCLOUR CDM-TC Elite 35W/942 G8.5 1CT	15 mm	5.2 mm	51 mm	53 mm	52 mm	85 mm
MASTERCLOUR CDM-TC Elite 50W/930 G8.5 1CT/12	15 mm	6 mm	51 mm	53 mm	52 mm	85 mm
MASTERCLOUR CDM-TC Elite 70W/930 G8.5 1CT/12	15 mm	7.15 mm	51 mm	53 mm	52 mm	85 mm
MASTERCLOUR CDM-TC Elite 35W/930 G8.5 1CT/12	15 mm	4.8 mm	51 mm	53 mm	52 mm	85 mm

# MASTERCcolour CDM-TC Elite

Approval and Application	
Energy Efficiency Label (EEL)	A+
Controls and Dimming	
Dimmable	No
Operating and Electrical	
Re-Ignition Time (Min) (Max)	15 min
General Information	
Cap-Base	G8.5
Operating Position	UNIVERSAL
Mechanical and Housing	
Bulb Finish	Clear (CL)
Bulb Shape	T14

## Approval and Application

Order Code	Full Product Name	Energy Consumption kWh/1000 h	Mercury (Hg) Content (Nom)
87158600	MASTERCcolour CDM-TC Elite 20W/830 G8.5 1CT/12	22 kWh	3.5 mg
91149700	MASTERCcolour CDM-TC Elite 35W/930 G8.5 1CT/12	43 kWh	4.7 mg
16366400	MASTERCcolour CDM-TC Elite 35W/942 G8.5 1CT	43 kWh	4.7 mg

Order Code	Full Product Name	Energy Consumption kWh/1000 h	Mercury (Hg) Content (Nom)
91153400	MASTERCcolour CDM-TC Elite 70W/930 G8.5 1CT/12	80 kWh	6.6 mg
16368800	MASTERCcolour CDM-TC Elite 70W/942 G8.5 1CT	80 kWh	6.6 mg
93062700	MASTERCcolour CDM-TC Elite 50W/930 G8.5 1CT/12	55 kWh	6.6 mg

## Operating and Electrical

Order Code	Full Product Name	Voltage (Max)	Voltage (Min)	Voltage (Nom)	Power (Rated) (Min)	Power (Rated) (Nom)
87158600	MASTERCcolour CDM-TC Elite 20W/830 G8.5 1CT/12	100 V	90 V	95 V	20.0 W	20 W
91149700	MASTERCcolour CDM-TC Elite 35W/930 G8.5 1CT/12	90 V	80 V	85 V	-	39.0 W
16366400	MASTERCcolour CDM-TC Elite 35W/942 G8.5 1CT	97 V	85 V	91 V	-	39.0 W
91153400	MASTERCcolour CDM-TC Elite 70W/930 G8.5 1CT/12	90 V	80 V	85 V	-	73.0 W
16368800	MASTERCcolour CDM-TC Elite 70W/942 G8.5 1CT	94 V	82 V	88 V	-	73.0 W
93062700	MASTERCcolour CDM-TC Elite 50W/930 G8.5 1CT/12	96 V	84 V	90 V	-	50.0 W

## General Information

Order Code	Full Product Name	Life To 10% Failures (Nom)	Life To 20% Failures (Nom)	Life To 50% Failures (Nom)	Life To 5% Failures (Nom)
87158600	MASTERCcolour CDM-TC Elite 20W/830 G8.5 1CT/12	14000 h	16000 h	20000 h	12000 h
91149700	MASTERCcolour CDM-TC Elite 35W/930 G8.5 1CT/12	14000 h	16000 h	20000 h	12000 h
16366400	MASTERCcolour CDM-TC Elite 35W/942 G8.5 1CT	10000 h	12000 h	15000 h	9000 h

Order Code	Full Product Name	Life To 10% Failures (Nom)	Life To 20% Failures (Nom)	Life To 50% Failures (Nom)	Life To 5% Failures (Nom)
91153400	MASTERCcolour CDM-TC Elite 70W/930 G8.5 1CT/12	14000 h	16000 h	20000 h	12000 h
16368800	MASTERCcolour CDM-TC Elite 70W/942 G8.5 1CT	10000 h	12000 h	15000 h	9000 h

# MASTERCcolour CDM-TC Elite

Order Code	Full Product Name	Life To	Life To	Life To	Life To
		10% Failures (Nom)	20% Failures (Nom)	50% Failures (Nom)	Life To 5% Failures (Nom)
93062700	MASTERCcolour CDM-TC Elite 50W/930 G8.5 1CT/12	14000 h	16000 h	20000 h	12000 h

## Luminaire Design Requirements

Order Code	Full Product Name	Bulb Temperature (Max)
87158600	MASTERCcolour CDM-TC Elite 20W/830 G8.5 1CT/12	320 °C
91149700	MASTERCcolour CDM-TC Elite 35W/930 G8.5 1CT/12	500 °C
16366400	MASTERCcolour CDM-TC Elite 35W/942 G8.5 1CT	500 °C

Order Code	Full Product Name	Bulb Temperature (Max)
91153400	MASTERCcolour CDM-TC Elite 70W/930 G8.5 1CT/12	550 °C
16368800	MASTERCcolour CDM-TC Elite 70W/942 G8.5 1CT	500 °C
93062700	MASTERCcolour CDM-TC Elite 50W/930 G8.5 1CT/12	550 °C

## Light Technical (1/2)

Order Code	Full Product Name	Chromaticity	Chromaticity	Color Code	Color Designation	Correlated Color Temperature (Nom)	Color	Color
		Coordinate X (Nom)	Coordinate Y (Nom)				Rendering Index (Min)	Rendering Index (Nom)
87158600	MASTERCcolour CDM-TC Elite 20W/830 G8.5 1CT/12	0.434	0.391	830	Warm White (WW)	2980 K	-	85
91149700	MASTERCcolour CDM-TC Elite 35W/930 G8.5 1CT/12	0.435	0.396	930	Warm White (WW)	3000 K	87	90
16366400	MASTERCcolour CDM-TC Elite 35W/942 G8.5 1CT	0.371	0.366	942	Cool White (CW)	4200 K	87	90
91153400	MASTERCcolour CDM-TC Elite 70W/930 G8.5 1CT/12	0.435	0.396	930	Warm White (WW)	3000 K	87	90
16368800	MASTERCcolour CDM-TC Elite 70W/942 G8.5 1CT	0.365	0.363	942	Cool White (CW)	4200 K	89	92
93062700	MASTERCcolour CDM-TC Elite 50W/930 G8.5 1CT/12	0.435	0.396	930	Warm White (WW)	3000 K	88	91

## Light Technical (2/2)

Order Code	Full Product Name	Lumen	Lumen	Lumen	Lumen	Luminous	Luminous Flux (Rated) (Min)	Luminous Flux (Rated) (Nom)
		Maintenance 10000 h (Nom)	Maintenance 12000 h (Nom)	Maintenance 2000 h (Nom)	Maintenance 5000 h (Nom)	Efficacy (rated) (Nom)		
87158600	MASTERCcolour CDM-TC Elite 20W/830 G8.5 1CT/12	78 %	77 %	87 %	83 %	90 lm/W	1620 lm	1800 lm
91149700	MASTERCcolour CDM-TC Elite 35W/930 G8.5 1CT/12	80 %	78 %	93 %	88 %	102 lm/W	3600 lm	4000 lm
16366400	MASTERCcolour CDM-TC Elite 35W/942 G8.5 1CT	73 %	71 %	84 %	79 %	97 lm/W	3420 lm	3800 lm
91153400	MASTERCcolour CDM-TC Elite 70W/930 G8.5 1CT/12	83 %	82 %	95 %	88 %	107 lm/W	-	7800 lm
16368800	MASTERCcolour CDM-TC Elite 70W/942 G8.5 1CT	81 %	80 %	88 %	85 %	102 lm/W	6700 lm	7450 lm

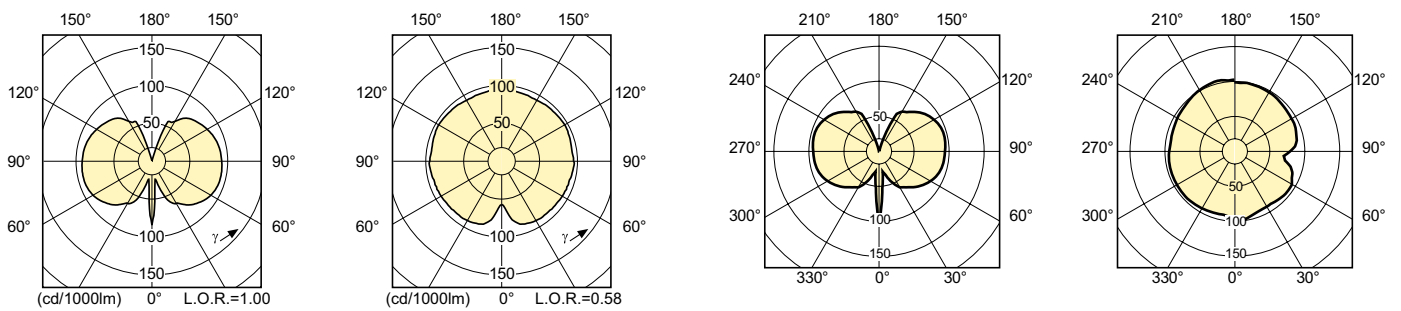
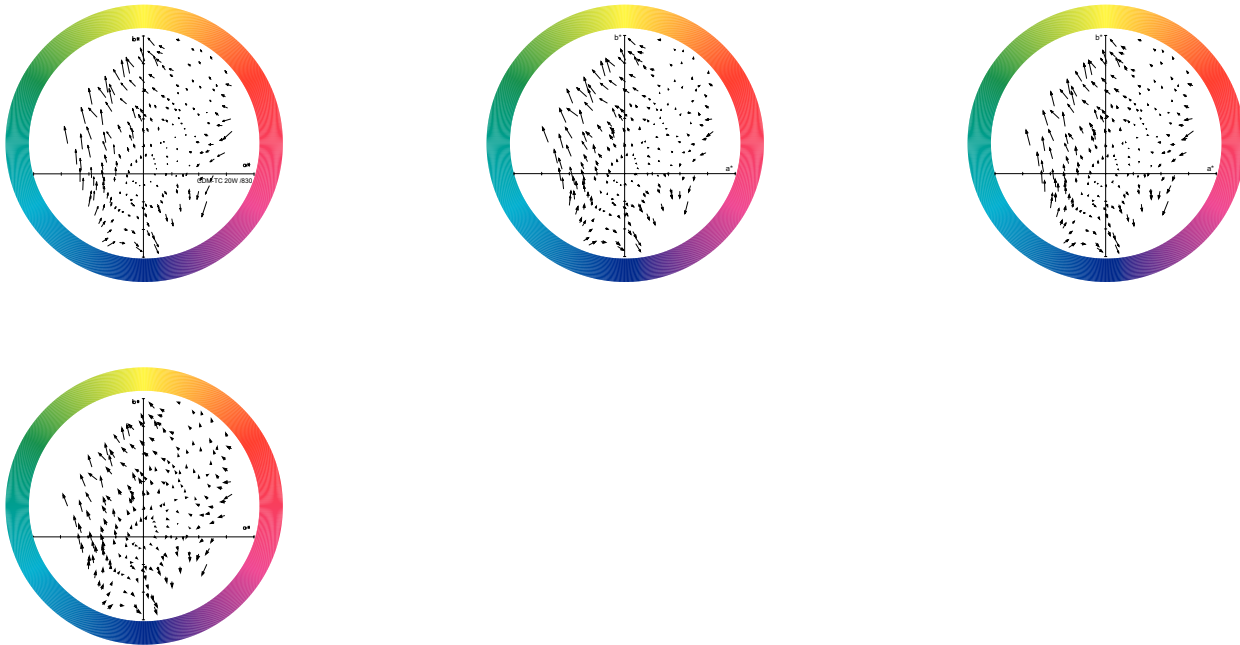
# MASTERCLOUR CDM-TC Elite

Order Code	Full Product Name	Lumen Maintenance 10000 h (Nom)	Lumen Maintenance 12000 h (Nom)	Lumen Maintenance 2000 h (Nom)	Lumen Maintenance 5000 h (Nom)	Luminous Efficacy (rated) (Nom)	Luminous Flux (Rated) (Min)	Luminous Flux (Rated) (Nom)
93062700	MASTERCLOUR CDM-TC Elite 50W/930 G8.5 1CT/12	83 %	82 %	95 %	88 %	108 lm/W	4900 lm	5400 lm

## Mechanical and Housing

Order Code	Full Product Name	Bulb Material	Order Code	Full Product Name	Bulb Material
87158600	MASTERCLOUR CDM-TC Elite 20W/830 G8.5 1CT/12	UV-Block Quartz	91153400	MASTERCLOUR CDM-TC Elite 70W/930 G8.5 1CT/12	-
91149700	MASTERCLOUR CDM-TC Elite 35W/930 G8.5 1CT/12	-	16368800	MASTERCLOUR CDM-TC Elite 70W/942 G8.5 1CT	-
16366400	MASTERCLOUR CDM-TC Elite 35W/942 G8.5 1CT	-	93062700	MASTERCLOUR CDM-TC Elite 50W/930 G8.5 1CT/12	-

## Colour Rendering Diagrams



# MASTERCoulour CDM-TC Elite

