



# Beautiful sparkle, reliable life

## MASTERColour CDM-TD

Range of double-ended, compact, high-efficiency, discharge lamps with a stable colour over lifetime and a crisp, sparkling light

### Benefits

- Stable colour impression over lifetime
- High lamp efficacy results in low operating costs and low heat generation. Provides better operating costs and improved light quality versus standard quartz metal halide (MHN/W-TD)
- Long lamp life compared with incandescent, halogen and quartz metal halide (MHN/W-TD) lamps
- Relatively low heat output enhances comfort for shoppers and staff
- All types are UV-Block for reduced fading risks

### Features

- Warm or cool white colour impression
- Colour rendering good to excellent
- Retrofit in double-ended luminaires for quartz metal halide lamps (MHN/W-TD), thereby allowing to reduce operating costs and improve colour quality
- Burning position horizontal +/-45°

### Application

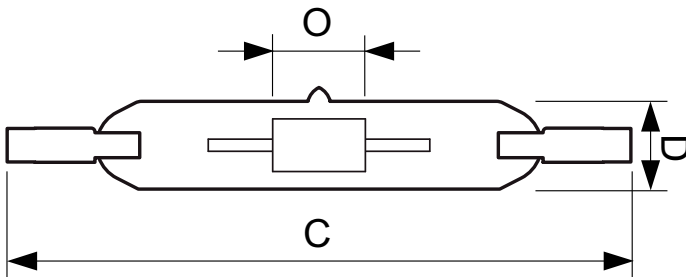
- Shops and shop windows, offices and public buildings
- Decorative outdoor: floodlighting of facades, statues and monuments

# MASTERColour CDM-TD

## Versions



## Dimensional drawing



Product	D (max)	D	O	C (max)
MASTERColour CDM-TD 70W/830 RX7s 1CT/12	22 mm	0.75 in	8 mm	119.63 mm
MASTERColour CDM-TD 150W/942 RX7s 1CT	25 mm	0.875 in	10 mm	137.43 mm
MASTERColour CDM-TD 70W/942 RX7s 1CT/12	22 mm	0.75 in	7 mm	119.63 mm
MASTERColour CDM-TD 150W/830 RX7s 1CT	25 mm	0.875 in	10 mm	137.43 mm

### Controls and Dimming

Dimmable	no
----------	----

### Operating and Electrical

Re-ignition Time (Min) (Max)	15 min
------------------------------	--------

### General Information

Cap-Base	RX7S
Life To 10% Failures (Nom)	13000 h
Life To 20% Failures (Nom)	15000 h
Life To 50% Failures (Nom)	16000 h
Life To 5% Failures (Nom)	9000 h
Operating Position	P45

### Mechanical and Housing

Bulb Finish	Clear (CL)
-------------	------------

## Approval and Application

Order Code	Full Product Name	Energy Consumption kWh/1000 h	Energy	
			Efficiency Label (EEL)	Mercury (Hg) Content (Nom)
928082205125	MASTERColour CDM-TD 70W/830 RX7s 1CT/12	78 kWh	A	3.4 mg
928084705133	MASTERColour CDM-TD 70W/942 RX7s 1CT/12	78 kWh	A	4.8 mg
928083605133	MASTERColour CDM-TD 150W/830 RX7s 1CT	160 kWh	A+	10.23 mg
928084805133	MASTERColour CDM-TD 150W/942 RX7s 1CT	165 kWh	A+	8.29 mg

## Operating and Electrical (1/2)

## MASTERColour CDM-TD

Order Code	Full Product Name	Lamp			
		Current (EM) (Nom)	Voltage (Max)	Voltage (Min)	Voltage (Nom)
928082205125	MASTERColour CDM-TD 70W/830 RX7s 1CT/12	0.95 A	102 V	86 V	94 V
928084705133	MASTERColour CDM-TD 70W/942 RX7s 1CT/12	0.98 A	98 V	82 V	90 V

Order Code	Full Product Name	Lamp			
		Current (EM) (Nom)	Voltage (Max)	Voltage (Min)	Voltage (Nom)
928083605133	MASTERColour CDM-TD 150W/830 RX7s 1CT	1.8 A	106 V	90 V	98 V
928084805133	MASTERColour CDM-TD 150W/942 RX7s 1CT	1.8 A	110 V	96 V	103 V

### Operating and Electrical (2/2)

Order Code	Full Product Name	Power (Rated) (Nom)
928082205125	MASTERColour CDM-TD 70W/830 RX7s 1CT/12	71.0 W
928084705133	MASTERColour CDM-TD 70W/942 RX7s 1CT/12	71.0 W

Order Code	Full Product Name	Power (Rated) (Nom)
928083605133	MASTERColour CDM-TD 150W/830 RX7s 1CT	145.0 W
928084805133	MASTERColour CDM-TD 150W/942 RX7s 1CT	150.0 W

### Luminaire Design Requirements

Order Code	Full Product Name	Bulb Temperature (Max)
928082205125	MASTERColour CDM-TD 70W/830 RX7s 1CT/12	500 °C
928084705133	MASTERColour CDM-TD 70W/942 RX7s 1CT/12	500 °C

Order Code	Full Product Name	Bulb Temperature (Max)
928083605133	MASTERColour CDM-TD 150W/830 RX7s 1CT	650 °C
928084805133	MASTERColour CDM-TD 150W/942 RX7s 1CT	650 °C

### Light Technical (1/3)

Order Code	Full Product Name	Chromaticity		Colour	
		Coordinate X (Nom)	Coordinate Y (Nom)	Code	Designation
928082205125	MASTERColour CDM-TD 70W/830 RX7s 1CT/12	0.443	0.401	830	Warm white (WW)
928084705133	MASTERColour CDM-TD 70W/942 RX7s 1CT/12	0.383	0.370	942	Cool White (CW)

Order Code	Full Product Name	Chromaticity		Colour	
		Coordinate X (Nom)	Coordinate Y (Nom)	Code	Designation
928083605133	MASTERColour CDM-TD 150W/830 RX7s 1CT	0.437	0.399	830	Warm white (WW)
928084805133	MASTERColour CDM-TD 150W/942 RX7s 1CT	0.380	0.375	942	Cool White (CW)

### Light Technical (2/3)

Order Code	Full Product Name	Correlated Colour Temperature (Nom)	Colour Rendering Index (Min)	Colour Rendering Index (Nom)	Lumen Maintenance 10000 h (Nom)	Lumen Maintenance 2000 h (Min)	Lumen Maintenance 2000 h (Nom)	Lumen Maintenance 5000 h (Min)	Lumen Maintenance 5000 h (Nom)	Luminous Efficacy (rated) (Nom)
		928082205125	MASTERColour CDM-TD 70W/830 RX7s 1CT/12	3000 K	77	80	70 %	80 %	85 %	70 %
928084705133	MASTERColour CDM-TD 70W/942 RX7s 1CT/12	4200 K	-	92	60 %	70 %	85 %	60 %	70 %	80 lm/W

# MASTERCLOUR CDM-TD

Order Code	Full Product Name	Correlated	Colour			Lumen Maintenance	Lumen Maintenance	Lumen Maintenance	Lumen Maintenance	Lumen Maintenance	Luminous Efficacy (rated) (Nom)
		Colour Temperature (Nom)	Colour Rendering Index (Min)	Colour Rendering Index (Nom)	10000 h (Nom)						
928083605133	MASTERCLOUR CDM-TD 150W/830 RX7s 1CT	3000 K	-	88	75 %	80 %	90 %	75 %	85 %	91 lm/W	
928084805133	MASTERCLOUR CDM-TD 150W/942 RX7s 1CT	4200 K	-	96	70 %	80 %	90 %	75 %	85 %	87 lm/W	

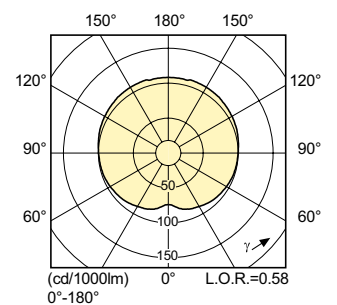
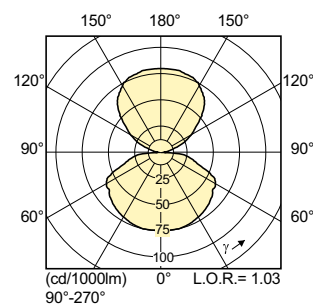
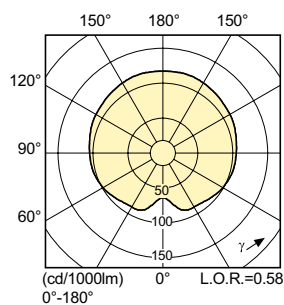
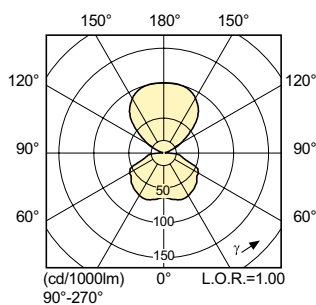
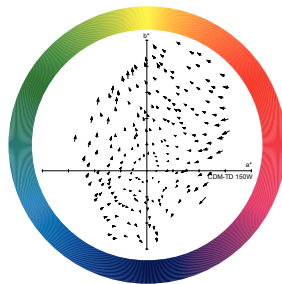
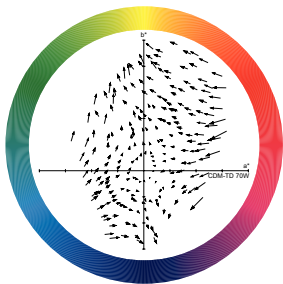
## Light Technical (3/3)

Order Code	Full Product Name	Luminous Flux (Nom)	Luminous Flux (Rated) (Nom)	Order Code	Full Product Name	Luminous Flux (Nom)	Luminous Flux (Rated) (Nom)
928082205125	MASTERCLOUR CDM-TD 70W/830 RX7s 1CT/12	6000 lm	6000 lm	928083605133	MASTERCLOUR CDM-TD 150W/830 RX7s 1CT	13250 lm	13250 lm
928084705133	MASTERCLOUR CDM-TD 70W/942 RX7s 1CT/12	5600 lm	5600 lm	928084805133	MASTERCLOUR CDM-TD 150W/942 RX7s 1CT	13750 lm	13750 lm

## Mechanical and Housing

Order Code	Full Product Name	Bulb Shape	Order Code	Full Product Name	Bulb Shape
928082205125	MASTERCLOUR CDM-TD 70W/830 RX7s 1CT/12	T22	928083605133	MASTERCLOUR CDM-TD 150W/830 RX7s 1CT	T25
928084705133	MASTERCLOUR CDM-TD 70W/942 RX7s 1CT/12	T22	928084805133	MASTERCLOUR CDM-TD 150W/942 RX7s 1CT	T25

## Color Rendering Diagrams



# MASTERColour CDM-TD

