



Beautiful sparkle, reliable life

MASTERColour CDM-TD

Range of double-ended, compact, high-efficiency, discharge lamps with a stable color over lifetime and a crisp, sparkling light

Benefits

- Stable color impression over lifetime
- High lamp efficacy results in low operating costs and low heat generation. Provides better operating costs and improved light quality versus standard quartz metal halide (MHN-TD)
- Long lamp life compared with incandescent, halogen and quartz metal halide (MHN-TD) lamps
- Relatively low heat output enhances comfort for shoppers and staff
- All types are UV-Block for reduced fading risks

Features

- Crisp white light
- Superior color quality
- Retrofit in double-ended luminaires for quartz metal halide lamps (MHN-TD), thereby allowing to reduce operating costs and improve color quality
- Burning position horizontal +/-45°

Application

- Shops and shop windows, offices and public buildings
- Decorative outdoor: floodlighting of facades, statues and monuments

MASTERColour CDM-TD

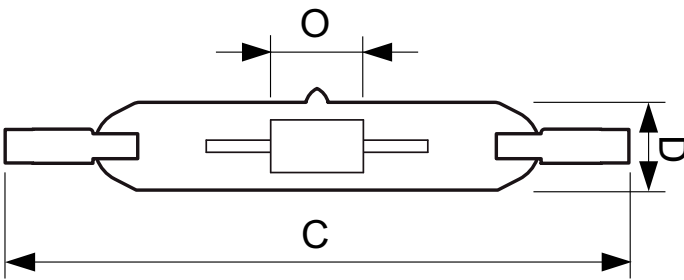
Versions



CDM-TD, 70W

CDM-TD, 150W

Dimensional drawing



Product	D (max)	D	O	C (max)
MASTERColour CDM-TD 150W/942 RX7s 1CT	25 mm	0.875 in	10 mm	137.43 mm
MASTERColour CDM-TD 70W/942 RX7s 1CT/12	22 mm	0.75 in	7 mm	119.63 mm
MASTERColour CDM-TD 150W/830 RX7s 1CT	25 mm	0.875 in	10 mm	137.43 mm
MASTERColour CDM-TD 70W/830 RX7s 1CT/12	22 mm	0.75 in	8 mm	119.63 mm

Controls and Dimming

Dimmable No

Operating and Electrical

Re-ignition Time (Min) (Max) 15 min

General Information

Cap-Base RX7S

Life To 10% Failures (Nom) 13000 h

Life To 20% Failures (Nom) 15000 h

Life To 50% Failures (Nom) 16000 h

Life To 5% Failures (Nom) 9000 h

Operating Position P45

Mechanical and Housing

Bulb Finish Clear

Approval and Application

Order Code	Full Product Name	Energy Consumption kWh/1000 h	Energy	
			Efficiency Label (EEL)	Mercury (Hg) Content (Nom)
928082205125	MASTERColour CDM-TD 70W/830 RX7s 1CT/12	78 kWh	A	3.4 mg
928084705133	MASTERColour CDM-TD 70W/942 RX7s 1CT/12	78 kWh	A	4.8 mg
928083605133	MASTERColour CDM-TD 150W/830 RX7s 1CT	160 kWh	A+	10.23 mg
928084805133	MASTERColour CDM-TD 150W/942 RX7s 1CT	165 kWh	A+	8.29 mg

Operating and Electrical (1/2)

MASTERColour CDM-TD

Order Code	Full Product Name	Lamp			
		Current (EM) (Nom)	Voltage (Max)	Voltage (Min)	Voltage (Nom)
928082205125	MASTERColour CDM-TD 70W/830 RX7s 1CT/12	0.95 A	102 V	86 V	94 V
928084705133	MASTERColour CDM-TD 70W/942 RX7s 1CT/12	0.98 A	98 V	82 V	90 V

Order Code	Full Product Name	Lamp			
		Current (EM) (Nom)	Voltage (Max)	Voltage (Min)	Voltage (Nom)
928083605133	MASTERColour CDM-TD 150W/830 RX7s 1CT	1.8 A	106 V	90 V	98 V
928084805133	MASTERColour CDM-TD 150W/942 RX7s 1CT	1.8 A	110 V	96 V	103 V

Operating and Electrical (2/2)

Order Code	Full Product Name	Power (Rated) (Nom)
928082205125	MASTERColour CDM-TD 70W/830 RX7s 1CT/12	71.0 W
928084705133	MASTERColour CDM-TD 70W/942 RX7s 1CT/12	71.0 W

Order Code	Full Product Name	Power (Rated) (Nom)
928083605133	MASTERColour CDM-TD 150W/830 RX7s 1CT	145.0 W
928084805133	MASTERColour CDM-TD 150W/942 RX7s 1CT	150.0 W

Luminaire Design Requirements

Order Code	Full Product Name	Bulb Temperature (Max)
928082205125	MASTERColour CDM-TD 70W/830 RX7s 1CT/12	500 °C
928084705133	MASTERColour CDM-TD 70W/942 RX7s 1CT/12	500 °C

Order Code	Full Product Name	Bulb Temperature (Max)
928083605133	MASTERColour CDM-TD 150W/830 RX7s 1CT	650 °C
928084805133	MASTERColour CDM-TD 150W/942 RX7s 1CT	650 °C

Light Technical (1/3)

Order Code	Full Product Name	Chromaticity		Color	
		Coordinate X (Nom)	Coordinate Y (Nom)	Code	Designation
928082205125	MASTERColour CDM-TD 70W/830 RX7s 1CT/12	0.443	0.401	830	Warm White (WW)
928084705133	MASTERColour CDM-TD 70W/942 RX7s 1CT/12	0.383	0.370	942	Cool White (CW)

Order Code	Full Product Name	Chromaticity		Color	
		Coordinate X (Nom)	Coordinate Y (Nom)	Code	Designation
928083605133	MASTERColour CDM-TD 150W/830 RX7s 1CT	0.437	0.399	830	Warm White (WW)
928084805133	MASTERColour CDM-TD 150W/942 RX7s 1CT	0.380	0.375	942	Cool White (CW)

Light Technical (2/3)

Order Code	Full Product Name	Correlated Color Temperature (Nom)		Color Rendering Index (Min)		Lumen Maintenance			Luminous Efficacy (rated) (Nom)	
		(Nom)	(Nom)	(Nom)	(Nom)	(Nom)	(Nom)	(Nom)		
928082205125	MASTERColour CDM-TD 70W/830 RX7s 1CT/12	3000 K	77	80	70 %	80 %	85 %	70 %	80 %	85 lm/W
928084705133	MASTERColour CDM-TD 70W/942 RX7s 1CT/12	4200 K	-	92	60 %	70 %	85 %	60 %	70 %	80 lm/W

MASTERColour CDM-TD

Order Code	Full Product Name	Correlated	Color			Lumen Maintenance 10000 h (Nom)	Lumen Maintenance 2000 h (Min)	Lumen Maintenance 2000 h (Nom)	Lumen Maintenance 5000 h (Min)	Lumen Maintenance 5000 h (Nom)	Luminous Efficacy (rated) (Nom)
		Color Temperature (Nom)	Color Rendering Index (Min)	Color Rendering Index (Nom)	Color Rendering Index (Nom)						
928083605133	MASTERColour CDM-TD 150W/830 RX7s 1CT	3000 K	-	88	75 %	80 %	90 %	75 %	85 %	91 lm/W	
928084805133	MASTERColour CDM-TD 150W/942 RX7s 1CT	4200 K	-	96	70 %	80 %	90 %	75 %	85 %	87 lm/W	

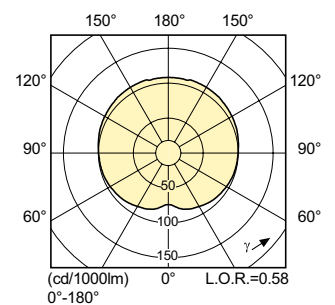
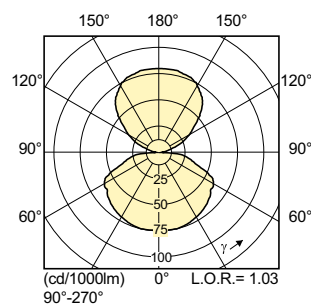
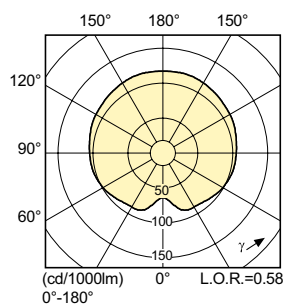
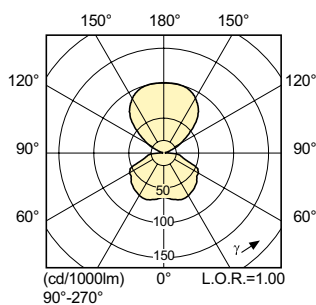
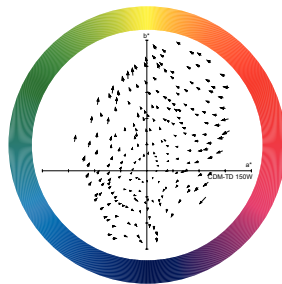
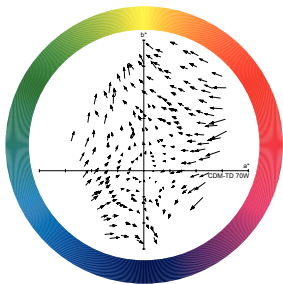
Light Technical (3/3)

Order Code	Full Product Name	Luminous Flux (Nom)	Luminous Flux (Rated) (Nom)	Order Code	Full Product Name	Luminous Flux (Nom)	Luminous Flux (Rated) (Nom)
928082205125	MASTERColour CDM-TD 70W/830 RX7s 1CT/12	6000 lm	6000 lm	928083605133	MASTERColour CDM-TD 150W/830 RX7s 1CT	13250 lm	13250 lm
928084705133	MASTERColour CDM-TD 70W/942 RX7s 1CT/12	5600 lm	5600 lm	928084805133	MASTERColour CDM-TD 150W/942 RX7s 1CT	13750 lm	13750 lm

Mechanical and Housing

Order Code	Full Product Name	Bulb Shape	Order Code	Full Product Name	Bulb Shape
928082205125	MASTERColour CDM-TD 70W/830 RX7s 1CT/12	T22	928083605133	MASTERColour CDM-TD 150W/830 RX7s 1CT	T25
928084705133	MASTERColour CDM-TD 70W/942 RX7s 1CT/12	T22	928084805133	MASTERColour CDM-TD 150W/942 RX7s 1CT	T25

Color Rendering Diagrams



MASTERColour CDM-TD

