



# Product Description

## MASTER CosmoWhite CPO-TW & CPO-TW Xtra

New-generation ceramic metal halide lamps for outdoor lighting with white light, using a new lamp base and clear quartz outer bulb

### Benefits

- Attractive white light
- Best optical efficacy allows greater spacing between luminaires, thereby reducing investment
- Highest energy saving and lowest cost of ownership
- Lower our energy cost with 10-150% compared with today's light sources for outdoor applications
- Compact size & unique burner shape allows optimized optic and luminaire design
- Optimal lamp service lifetime and energy savings initially and over lifetime
- Robust, dedicated outdoor electronic Xtreme gear for long and reliable operation, ensuring future-proof outdoor installation

### Features

- Extreme high energy efficiency
- Unique new burner design and positioning in combination with best lamp fixation (PGZ12)
- Compact size: 50% smaller than SON/HPL systems
- New electronic gear platform meets the most demanding public lighting requirements

### Application

- Urban Public Lighting for city centers, residential areas and roads

# MASTER CosmoWhite CPO-TW & CPO-TW Xtra

## Warnings and Safety

- Use only in totally enclosed luminaire, even during testing (IEC61167, IEC 62035, IEC60598)
- The luminaire must be able to contain hot lamp parts if the lamp ruptures
- Use only with electronic control gear
- Control gear must include end-of-life protection (IEC61167, IEC 62035)
- A lamp breaking is extremely unlikely to have any impact on your health. If a lamp breaks, ventilate the room for 30 minutes and remove the parts, preferably with gloves. Put them in a sealed plastic bag and take it to your local waste facilities for recycling. Do not use a vacuum cleaner.

## Versions



LPPR CPO-TW 0003

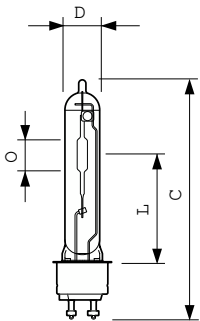


LPPR CPO-TW 0001



LPPR CPO-TW 45W 628 PGZ12

## Dimensional drawing



Product	D (max)	D	O	L	C (max)
MST CosmoWh CPO-TW Xtra 140W/728 PGZ12	20 mm	19 mm	22 mm	66 mm	150 mm
MST CosmoWh CPO-TW Xtra 45W/628 PGZ12	20 mm	19 mm	14 mm	59 mm	132 mm
MST CosmoWh CPO-TW Xtra 60W/728 PGZ12	20 mm	19 mm	14 mm	59 mm	132 mm
MST CosmoWh CPO-TW Xtra 90W/728 PGZ12	20 mm	19 mm	18 mm	66 mm	143 mm

# MASTER CosmoWhite CPO-TW & CPO-TW Xtra

## General Information

Cap-Base	PGZ12
Operating Position	UNIVERSAL

## Light Technical

Chromaticity Coordinate X (Nom)	0.447
Chromaticity Coordinate Y (Nom)	0.4
Color Designation	White (WH)
Correlated Color Temperature (Nom)	2800 K

## Controls and Dimming

Dimmable	Yes
----------	-----

## Mechanical and Housing

Bulb Finish	Clear
Bulb Shape	T19

## Light Technical

Order Code	Full Product Name	Color rendering index (CRI)	Luminous Efficacy (rated) (Nom)	Luminous Flux
20853815	MST COSMOWH CPO-TW Xtra 140W/728 PGZ12	72	125 lm/W	17,600 lm
20851415	MASTER CosmoWhite CPO-TW Xtra 60W/728 PGZ12	73	120 lm/W	7,200 lm
21121715	MASTER CosmoWhite CPO-TW Xtra 90W/728 PGZ12	70	120 lm/W	10,800 lm
15001500	MASTER CosmoWhite CPO-TW Xtra 45W/628 PGZ12	66	110 lm/W	4,900 lm

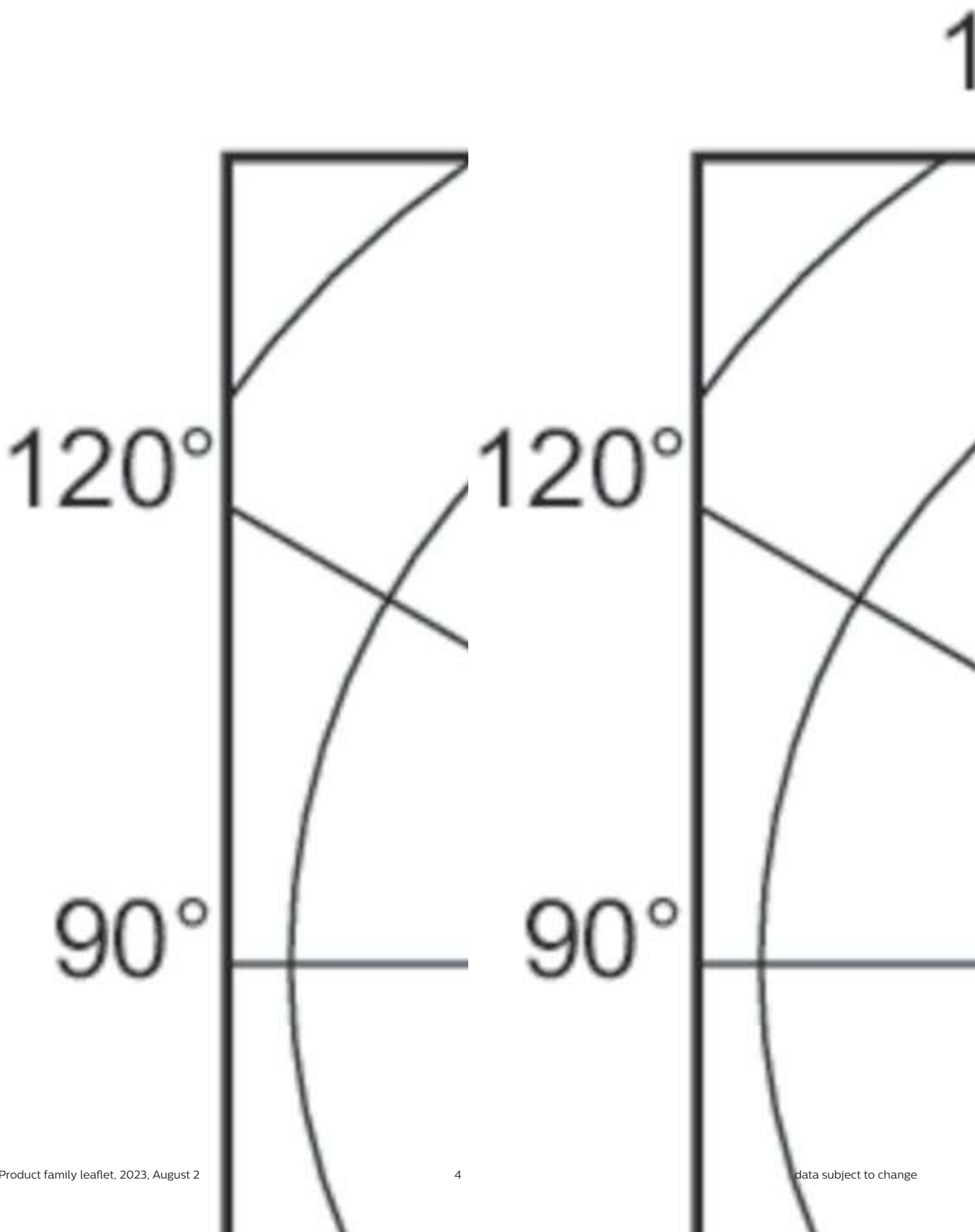
## Operating and Electrical

Order Code	Full Product Name	Voltage (Nom)	Power Consumption
20853815	MST COSMOWH CPO-TW Xtra 140W/728 PGZ12	94 V	141.0 W
20851415	MASTER CosmoWhite CPO-TW Xtra 60W/728 PGZ12	92 V	60.0 W

Order Code	Full Product Name	Voltage (Nom)	Power Consumption
21121715	MASTER CosmoWhite CPO-TW Xtra 90W/728 PGZ12	92 V	90.0 W
15001500	MASTER CosmoWhite CPO-TW Xtra 45W/628 PGZ12	91 V	44.5 W

## Approval and Application

Order Code	Full Product Name	Energy Consumption kWh/1000 h	Mercury (Hg) Content (Max)	Mercury (Hg) Content (Nom)
20853815	MST COSMOWH CPO-TW Xtra 140W/728 PGZ12	141 kWh	3.9 mg	3.9 mg
20851415	MASTER CosmoWhite CPO-TW Xtra 60W/728 PGZ12	60 kWh	2 mg	2.0 mg
21121715	MASTER CosmoWhite CPO-TW Xtra 90W/728 PGZ12	90 kWh	3 mg	3.0 mg
15001500	MASTER CosmoWhite CPO-TW Xtra 45W/628 PGZ12	45 kWh	2 mg	2.0 mg



## MASTER CosmoWhite CPO-TW & CPO-TW Xtra

