



The most energy-efficient reliable white light solution for Outdoor

MASTER CosmoWhite CPO-TW & CPO-TW Xtra

New-generation ceramic metal halide lamps used in Outdoor offering efficient and pleasant white light

Benefits

- Attractive white light
- Excellent optical efficacy allows greater spacing between luminaires, thereby reducing investment
- Energy savings of up to 60% and very low cost of ownership

Features

- Highly efficient white light with extremely high system efficacy
- Long reliable lifetime; new Xtra range offering service life of up to 6 years
- Unique new burner design and positioning in combination with optimum lamp fixation (PGZ12) ensures excellent optical efficacy
- Compact size: 50% smaller than SON/HPL systems
- New electronic gear platform including dimming options

Application

- Urban public lighting for city centers, residential areas and roads
- Lamp optimized for horizontal position; when positioned vertically, the lifetime specification is much lower (as much as - 40%)

MASTER CosmoWhite CPO-TW & CPO-TW Xtra

Warnings and Safety

- Use only in totally enclosed luminaire, even during testing (IEC61167, IEC 62035, IEC60598)
- The luminaire must be able to contain hot lamp parts if the lamp ruptures
- Use only with electronic control gear
- Control gear must include end-of-life protection (IEC61167, IEC 62035)
- A lamp breaking is extremely unlikely to have any impact on your health. If a lamp breaks, ventilate the room for 30 minutes and remove the parts, preferably with gloves. Put them in a sealed plastic bag and take it to your local waste facilities for recycling. Do not use a vacuum cleaner.

Versions

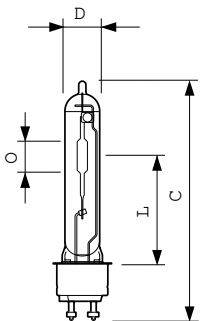
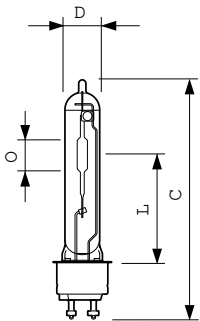


LPPR CPO-TW 0003



LPPR CPO-TW 45W 628 PGZ12

Dimensional drawing



Product	D (max)	D	O	L	C (max)
MST CosmoWh CPO-TW Xtra 140W/728 PGZ12	20 mm	19 mm	22 mm	66 mm	150 mm
MST CosmoWh CPO-TW Xtra 45W/628 PGZ12	20 mm	19 mm	14 mm	59 mm	132 mm
MST CosmoWh CPO-TW Xtra 60W/728 PGZ12	20 mm	19 mm	14 mm	59 mm	132 mm
MST CosmoWh CPO-TW Xtra 90W/728 PGZ12	20 mm	19 mm	18 mm	66 mm	143 mm

Product	D (max)	D	O	L	C (max)
MST CosmoWh CPO-TW 60W/840 PGZ12 1CT	20 mm	19 mm	14 mm	59 mm	132 mm

MASTER CosmoWhite CPO-TW & CPO-TW Xtra

General Information	
Cap-Base	PGZ12
Operating Position	UNIVERSAL
Light Technical	
Color Designation	White (WH)
Controls and Dimming	
Dimmable	Yes
Mechanical and Housing	
Bulb Finish	Clear
Bulb Shape	T19

Light Technical

Order Code	Full Product Name	Chromaticity Coordinate X (Nom)	Chromaticity Coordinate Y (Nom)	Correlated Color Temperature (Nom)	Color rendering index (CRI)	Luminous Efficacy (rated) (Nom)	Luminous Flux
928088805127	MST CosmoWh CPO-TW Xtra 140W/728 PGZ12	0.447	0.4	2800 K	72	125 lm/W	17,600 lm
928088505127	MST CosmoWh CPO-TW Xtra 60W/728 PGZ12	0.447	0.4	2800 K	73	120 lm/W	7,200 lm
928093505127	MST CosmoWh CPO-TW Xtra 90W/728 PGZ12	0.447	0.4	2800 K	70	120 lm/W	10,800 lm
928095005127	MST CosmoWh CPO-TW 60W/840 PGZ12 1CT	382	392	-	83	117 lm/W	-
928083805127	MST CosmoWh CPO-TW Xtra 45W/628 PGZ12	0.447	0.4	2800 K	66	110 lm/W	4,900 lm

Operating and Electrical

Order Code	Full Product Name	Voltage (Nom)	Power Consumption	Order Code	Full Product Name	Voltage (Nom)	Power Consumption
928088805127	MST CosmoWh CPO-TW Xtra 140W/728 PGZ12	94 V	141.0 W	928095005127	MST CosmoWh CPO-TW 60W/840 PGZ12 1CT	92 V	60.0 W
928088505127	MST CosmoWh CPO-TW Xtra 60W/728 PGZ12	92 V	60.0 W	928083805127	MST CosmoWh CPO-TW Xtra 45W/628 PGZ12	91 V	44.5 W
928093505127	MST CosmoWh CPO-TW Xtra 90W/728 PGZ12	92 V	90.0 W				

Approval and Application

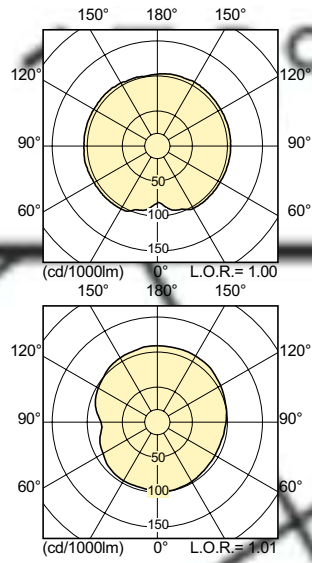
Order Code	Full Product Name	Energy Consumption kWh/1000 h	Mercury (Hg) Content (Max)	Mercury (Hg) Content (Nom)	Order Code	Full Product Name	Energy Consumption kWh/1000 h	Mercury (Hg) Content (Max)	Mercury (Hg) Content (Nom)
928088805127	MST CosmoWh CPO-TW Xtra 140W/728 PGZ12	141 kWh	3.9 mg	3.9 mg	928088505127	MST CosmoWh CPO-TW Xtra 60W/728 PGZ12	60 kWh	2 mg	2.0 mg

MASTER CosmoWhite CPO-TW & CPO-TW Xtra

Order Code	Full Product Name	Energy Consumption kWh/1000 h	Mercury (Hg) Content (Max)	Mercury (Hg) Content (Nom)
928093505127	MST CosmoWh CPO-TW Xtra 90W/728 PGZ12	90 kWh	3 mg	3.0 mg
928095005127	MST CosmoWh CPO-TW 60W/840 PGZ12 ICT	66 kWh	-	1.54 mg
928083805127	MST CosmoWh CPO-TW Xtra 45W/628 PGZ12	45 kWh	2 mg	2.0 mg

120°

90°



120°

90°

MASTER CosmoWhite CPO-TW & CPO-TW Xtra

