

HID-EXC for SOX

EXC for SOX

Electronic drivers for SOX lamps; designed to save energy and reduce maintenance costs

Benefits

- Provides equivalent light output to conventional technologies, with up to 36% lower energy consumption
- Replaces electromagnetic ballast, ignitor and capacitor
- Easy design-in due to slim cross-section and low weight; easy installation and cabling

Features

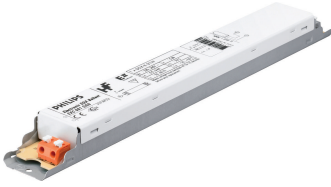
- Up to 93% system efficiency
- Constant light output at mains voltages between approximately 200 and 255 V
- One compact component
- Slim cross-section and low weight
- Single-insert contacts

Application

- Residential lighting
- City beautification
- Road lighting

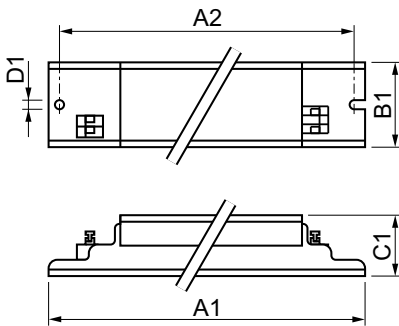
EXC for SOX

Versions



EXC 35 SOX 220-240V 50/60Hz

Dimensional drawing



Product	D1	C1	A1	A2	B1
EXC 36 SOX-E 220-240V 50/60Hz	4.2 mm	28.0 mm	280.0 mm	265.0 mm	40.0 mm
EXC 35 SOX 220-240V 50/60Hz	4.2 mm	28.0 mm	280.0 mm	265.0 mm	40.0 mm
EXC 55 SOX 220-240V 50/60Hz	4.2 mm	28.0 mm	280.0 mm	265.0 mm	40.0 mm
EXC 66 SOX-E 220-240V 50/60Hz	4.2 mm	28.0 mm	280.0 mm	265.0 mm	40.0 mm
EXC 91 SOX-E 220-240V 50/60Hz	4.2 mm	28.0 mm	335.0 mm	325.0 mm	39.0 mm

Operating and Electrical

Input Frequency	50 to 60 Hz
Input Voltage	220 to 240 V

General Information

Number Of Lamps	1 piece/unit
-----------------	--------------

General Information

Order Code	Full Product Name	Number Of Products On MCB (16A Type B) (Nom)	Lamp Type
913700621466	EXC 35 SOX 220-240V 50/60Hz	30	SOX
913700621566	EXC 36 SOX-E 220-240V 50/60Hz	30	SOX-E
913700621666	EXC 55 SOX 220-240V 50/60Hz	22	SOX

Order Code	Full Product Name	Number Of Products On MCB (16A Type B) (Nom)	Lamp Type
913700621766	EXC 66 SOX-E 220-240V 50/60Hz	22	SOX-E
913700621866	EXC 91 SOX-E 220-240V 50/60Hz	12	SOX-E

Mechanical and Housing

Order Code	Full Product Name	Housing
913700621466	EXC 35 SOX 220-240V 50/60Hz	L 280x39x28
913700621566	EXC 36 SOX-E 220-240V 50/60Hz	L 280x39x28
913700621666	EXC 55 SOX 220-240V 50/60Hz	L 280x39x28

Order Code	Full Product Name	Housing
913700621766	EXC 66 SOX-E 220-240V 50/60Hz	L 280x39x28
913700621866	EXC 91 SOX-E 220-240V 50/60Hz	L 335x39x28

EXC for SOX

System characteristics

Order Code	Full Product Name	Lamp		
		Power On SOX	Lamp Power On SOX-E	Rated Ballast-Lamp Power
913700621466	EXC 35 SOX 220-240V 50/60Hz	34.0 W	-	35 W
913700621566	EXC 36 SOX-E 220-240V 50/60Hz	-	36.0 W	36 W
913700621666	EXC 55 SOX 220-240V 50/60Hz	52.0 W	-	55 W

Order Code	Full Product Name	Lamp		
		Power On SOX	Lamp Power On SOX-E	Rated Ballast-Lamp Power
913700621766	EXC 66 SOX-E 220-240V 50/60Hz	-	67.0 W	66 W
913700621866	EXC 91 SOX-E 220-240V 50/60Hz	-	87.0 W	91 W

