

Long-lasting, reliable solution

HID-HeavyDuty BSN semi-parallel for SON/CDO/MH/HPI

Encapsulated electromagnetic copper/iron ballasts for use with an external semi-parallel ignitor for CDM, CDO, MH, HPI (Plus) and SON lamps

Benefits

- Excellent resistance to chemical impact, humid conditions and environmental stress crack
- Long-lasting reliable solution – outstanding product lifetime of 15 years average
- Minimal watt losses thanks to orthocyclic winding process
- Control gear can be installed remotely

Features

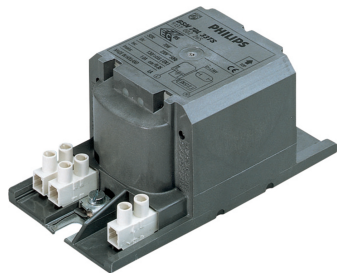
- Encapsulated with thermoplastic polyester resin, reinforced with glass fiber
- Equipped with screw terminal blocks as standard; insert contacts available upon request
- Ballasts for alternative mains voltages/frequencies available upon request
- Separate earth terminal (HID 'Heavy Duty')

Application

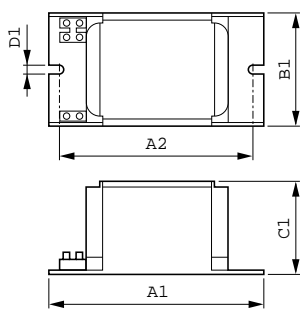
- Outdoor lighting (most popular application: road and tunnel lighting)

HID-HeavyDuty BSN semi-parallel for SON/CDO/MH/HPI

Versions



Dimensional drawing



Product	D1	C1	A1	A2	B1
BSN 150 L33-TS 230V 50Hz	6.2 mm	66.0 mm	126.0 mm	107.5 mm	81.0 mm
HD2-126					

