



Long-lasting, reliable solution

HID-HighPower for SON/MH/HPL/HPI

Encapsulated ballasts for use with SON (T) (Plus), HPL, HPI and MH lamps with rated wattages of 1000 W and above

Benefits

- Protected from overheating – outstanding product lifetime of 15 years average
- Minimal watt losses thanks to orthocyclic winding process
- Ideal for pole mounting

Features

- Excellent resistance to chemical impact, humid conditions and environmental stress crack
- Class I rated (i.e. with earthing facility)
- Equipped with screw terminal blocks as standard
- Separate earth terminal (HID 'Heavy Duty')
- Ballasts for alternative mains voltages/frequencies available upon request

Application

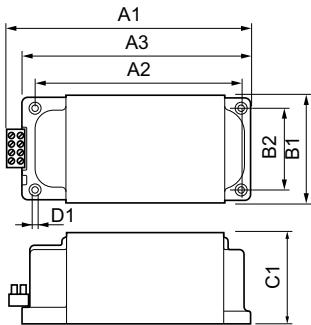
- Outdoor lighting (most popular application areas: sports and area lighting)

HID-HighPower for SON/MH/HPL/HPI

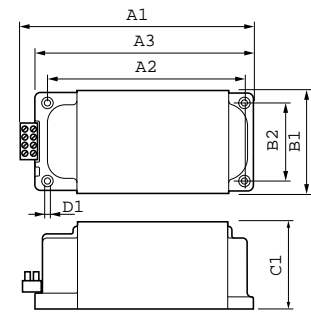
Versions



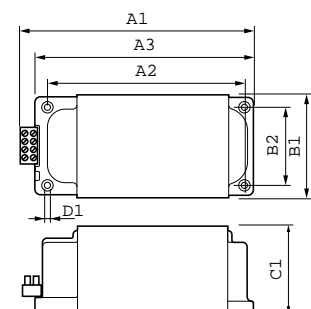
Dimensional drawing



Product	D1	C1	A1	A2	A3	B1	B2
BHD 2000 L76-A2	6.5	102.0	317.0	282.0	306.0	117.0	88.0
380/400/415V 50Hz	mm	mm	mm	mm	mm	mm	mm
HP-317							



Product	D1	C1	A1	A2	A3	B1	B2
BHL 2000 L76-A2	6.5	102.0	317.0	282.0	306.0	117.0	88.0
380/400/415V 50Hz	mm	mm	mm	mm	mm	mm	mm
HP-317							



Product	D1	C1	A1	A2	A3	B1	B2
BSN 1000 L78-A2	6.5	102.0	257.0	222.0	246.0	117.0	88.0
230/240V 50Hz	mm	mm	mm	mm	mm	mm	mm
HP-257							

HID-HighPower for SON/MH/HPL/HPI

Operating and Electrical

Input Frequency 50 Hz

General Information

Number Of Lamps 1 piece/unit

Operating and Electrical

Order Code	Full Product Name	Input Voltage	
		(Multi-Tab)	Input Voltage
06236900	BSN 1000 L78 230/240V 50HZ HP-257	230/240	230 V (default) or 240 V
06384700	BHL 2000 L76 380/400/415V 50HZ HP-317	380/400/415	380 to 415 V

Order Code	Full Product Name	Input Voltage	
		(Multi-Tab)	Input Voltage
74276600	BHD 2000 L76 380/400/415V 50Hz HP-317	380/400/415	380 to 415 V

General Information

Order Code	Full Product Name	Lamp Type
06236900	BSN 1000 L78 230/240V 50HZ HP-257	SON
06384700	BHL 2000 L76 380/400/415V 50HZ HP-317	HPI

Order Code	Full Product Name	Lamp Type
74276600	BHD 2000 L76 380/400/415V 50Hz HP-317	MH

System characteristics

Order Code	Full Product Name	Rated Ballast-Lamp Power
06236900	BSN 1000 L78 230/240V 50HZ HP-257	1000 W
06384700	BHL 2000 L76 380/400/415V 50HZ HP-317	2000 W

Order Code	Full Product Name	Rated Ballast-Lamp Power
74276600	BHD 2000 L76 380/400/415V 50Hz HP-317	2000 W

