



# Product Description

## MASTER MHN-FC

Compact quartz metal halide lamps with double pinch

### Benefits

- Allows compact luminaire systems with precision optics for minimal light spill
- Good color rendering creates a pleasant ambience with high visual comfort for players and spectators
- Continuous spectral distribution offers options for semi-professional stadiums and area lighting

### Features

- Double-pinch concept results in long lifetime
- Choice of 1000 W and 2000 W types
- Natural white color appearance
- Compact light source allows small luminaire design

### Application

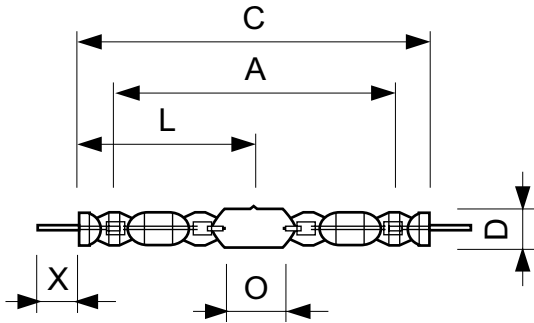
- Recreational sports and area floodlighting

### Versions



# MASTER MHN-FC

## Dimensional drawing



Product	D (max)	D	O	X	L	A	C (max)
MASTER MHN-FC	33 mm	25.5	42.5	58 mm	144 mm	226	290 mm
1000W/740 230V		mm	mm			mm	
XW							

