



Product Description

MASTER MHN-FC

Compact quartz metal halide lamps with double pinch

Benefits

- Allows compact luminaire systems with precision optics for minimal light spill
- Good color rendering creates a pleasant ambience with high visual comfort for players and spectators
- Continuous spectral distribution offers options for semi-professional stadiums and area lighting

Features

- Double-pinch concept results in long lifetime
- Choice of 1000 W and 2000 W types
- Natural white color appearance
- Compact light source allows small luminaire design

Application

- Recreational sports and area floodlighting

Versions

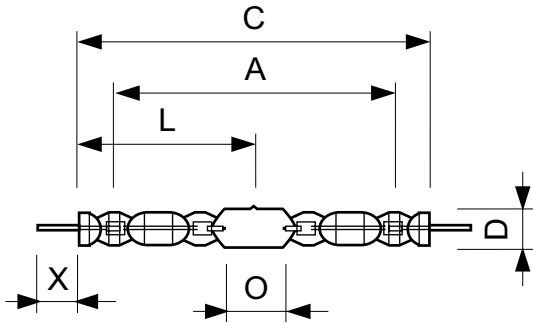


MHN-FC 2000 W, 2200 W

MHN-FC, 1000W

MASTER MHN-FC

Dimensional drawing



Product	D (max)	D	O	X	L	A	C (max)
MASTER MHN-FC 2200W/640 400V XW	33 mm	25.5 mm	108 mm	58 mm	177 mm	290 mm	476 mm
MASTER MHN-FC 2000W/740 400V XW	33 mm	25.5 mm	108 mm	58 mm	177 mm	290 mm	357 mm
MASTER MHN-FC 1000W/740 230V XW	33 mm	25.5 mm	42.5 mm	58 mm	144 mm	226 mm	290 mm

Approval and Application

Energy Efficiency Label (EEL) A+

Controls and Dimming

Dimmable No

General Information

Cap-Base DOUBLEENDED

Operating Position P5

Luminaire Design Requirements

Bulb Temperature (Max) 950 °C

Light Technical

Color Designation White (WH)

Lumen Maintenance 1000 h (Nom) 90 %

Lumen Maintenance 10000 h (Nom) 70 %

Lumen Maintenance 2000 h (Nom) 85 %

Lumen Maintenance 5000 h (Nom) 75 %

Mechanical and Housing

Bulb Finish Clear

Approval and Application

Order Code	Full Product Name	Energy Consumption kWh/ 1000 h	Mercury (Hg) Content (Nom)
928070405130	MASTER MHN-FC 2000W/740 400V XW	2235 kWh	105 mg
928079805130	MASTER MHN-FC 2200W/640 400V XW	2464 kWh	103.5 mg
928075705130	MASTER MHN-FC 1000W/740 230V XW	1144 kWh	85 mg

Operating and Electrical (1/2)

Order Code	Full Product Name	Lamp			
		Current (EM) (Nom)	Voltage (Max)	Voltage (Min)	Voltage (Nom)
928070405130	MASTER MHN-FC 2000W/740 400V XW	10.11 A	235 V	205 V	222 V
928079805130	MASTER MHN-FC 2200W/640 400V XW	11.00 A	242 V	213 V	230 V

Order Code	Full Product Name	Lamp			
		Current (EM) (Nom)	Voltage (Max)	Voltage (Min)	Voltage (Nom)
928075705130	MASTER MHN-FC 1000W/740 230V XW	8.9 A	145 V	115 V	130 V

Operating and Electrical (2/2)

Order Code	Full Product Name	Power (Rated) (Nom)
928070405130	MASTER MHN-FC 2000W/740 400V XW	2032.0 W

MASTER MHN-FC

Order Code	Full Product Name	Power (Rated) (Nom)
928079805130	MASTER MHN-FC 2200W/640 400V XW	2240.0 W

Order Code	Full Product Name	Power (Rated) (Nom)
928075705130	MASTER MHN-FC 1000W/740 230V XW	1040.0 W

General Information

Order Code	Full Product Name	Life To 10%	Life To 20%	Life To 50%	Life To 5%
		Failures (Nom)	Failures (Nom)	Failures (Nom)	Failures (Nom)
928070405130	MASTER MHN-FC 2000W/740 400V XW	8000 h	9500 h	12000 h	7000 h
928079805130	MASTER MHN-FC 2200W/640 400V XW	5200 h	6500 h	9300 h	4140 h

Order Code	Full Product Name	Life To 10%	Life To 20%	Life To 50%	Life To 5%
		Failures (Nom)	Failures (Nom)	Failures (Nom)	Failures (Nom)
928075705130	MASTER MHN-FC 1000W/740 230V XW	8000 h	9500 h	12000 h	7000 h

Light Technical (1/2)

Order Code	Full Product Name	Chromaticity	Chromaticity	Correlated Color	
		Coordinate X (Nom)	Coordinate Y (Nom)	Code	Temperature (Nom)
928070405130	MASTER MHN-FC 2000W/740 400V XW	380	419	740	4200 K
928079805130	MASTER MHN-FC	382	400	640	4100 K

Order Code	Full Product Name	Chromaticity	Chromaticity	Correlated Color	
		Coordinate X (Nom)	Coordinate Y (Nom)	Code	Temperature (Nom)
	2200W/640 400V XW				
928075705130	MASTER MHN-FC 1000W/740 230V XW	374	366	740	4100 K

Light Technical (2/2)

Order Code	Full Product Name	Color	Color	Luminous	Luminous	Luminous
		Rendering Index (Min)	Rendering Index (Nom)	Efficacy (rated) (Nom)	Flux (Rated) (Min)	Flux (Rated) (Nom)
928070405130	MASTER MHN-FC 2000W/740 400V XW	-	60	102 lm/W	190000 lm	210000 lm
928079805130	MASTER MHN-FC 2200W/640	56	60	105 lm/W	208800 lm	232000 lm

Order Code	Full Product Name	Color	Color	Luminous	Luminous	Luminous
		Rendering Index (Min)	Rendering Index (Nom)	Efficacy (rated) (Nom)	Flux (Rated) (Min)	Flux (Rated) (Nom)
	40 400V XW					
928075705130	MASTER MHN-FC 1000W/740 230V XW	62	65	91 lm/W	88000 lm	93000 lm

