



# PrimaVision Economy (35, 50 and 70 W) for CDM - The cost-effective solution

## PrimaVision Economy for CDM lamps

Single CDM lamp operation, single HID electronic gear – improves cost effectiveness and increases luminaire design flexibility

### 优点

- Cost-effective, plus design flexibility
- Optimal lamp performance thanks to minimal lamp power tolerance
- Lamp life increased by up to 30% for CDM lamps

### 特点

- Minimal lamp power spread
- Low gear energy losses
- Lamp end-of-life detection
- High Tambient and Tcase temperatures
- Lifetime of 30,000 hours

### 应用

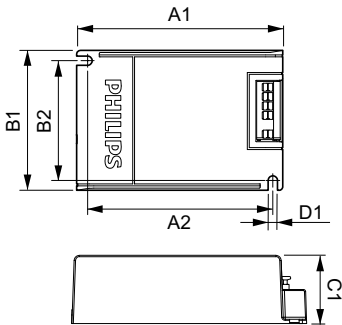
- 35, 50 and 70 W: accent and decorative lighting for shops, public spaces, lobbies and offices
- Suitable for indoor use only
- Available in standard (S) and independent (I) versions

# PrimaVision Economy for CDM lamps

## Versions



## 二维绘图



Product	D1	C1	A1	A2	B1	B2
HID-PV E 70 /S CDM 220-240V	4.9 mm	32.2 mm	109.6 mm	98.5 mm	74.4 mm	63.7 mm
HID-PV E 35 /S CDM 220-240V	4.9 mm	32.2 mm	109.6 mm	98.5 mm	74.4 mm	63.7 mm

### 運作和電氣

輸入頻率	50 至 60 Hz
輸入電壓	220-240 V

### 基本資訊

燈具數	1 piece/unit
燈具類型	CDM

### 機械和殼體

外罩	/S
----	----

## 基本資訊

Order Code	Full Product Name	MCB 產品數量 (16 A B 型)(標稱)
913700680766	HID-PV E 35 /S CDM 220-240V	24

Order Code	Full Product Name	MCB 產品數量 (16 A B 型)(標稱)
913700680966	HID-PV E 70 /S CDM 220-240V	20

## 系統特性

Order Code	Full Product Name	額定安定器 - 燈具功率
913700680766	HID-PV E 35 /S CDM 220-240V	35 W

Order Code	Full Product Name	額定安定器 - 燈具功率
913700680966	HID-PV E 70 /S CDM 220-240V	70 W

## PrimaVision Economy for CDM lamps

