



# PrimaVision Economy (35, 50 and 70 W) for CDM – The cost- effective solution

## PrimaVision Economy for CDM lamps

Single CDM lamp operation, single HID electronic gear – improves cost effectiveness and increases luminaire design flexibility

### Benefits

- Cost-effective, plus design flexibility
- Optimal lamp performance thanks to minimal lamp power tolerance
- Lamp life increased by up to 30% for CDM lamps

### Features

- Minimal lamp power spread
- Low gear energy losses
- Lamp end-of-life detection
- High Tambient and Tcase temperatures
- Lifetime of 30,000 hours

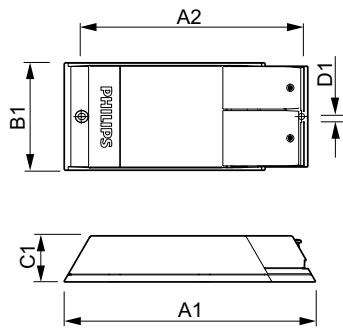
### Application

- 35, 50 and 70 W: accent and decorative lighting for shops, public spaces, lobbies and offices
- Suitable for indoor use only
- Available in standard (S) and independent (I) versions

# PrimaVision Economy for CDM lamps

## Dimensional drawing

A1



Product	D1	C1	A1	A2	B1	B2
HID-PV E 70 /S CDM 220-240V	4.9 mm	32.2 mm	109.6 mm	98.5 mm	74.4 mm	63.7 mm
HID-PV E 35 /S CDM 220-240V	4.9 mm	32.2 mm	109.6 mm	98.5 mm	74.4 mm	63.7 mm

Product	D1	C1	A1	A2	B1
HID-PV E 35 /I CDM 220-240V	4.8 mm	34.7 mm	189.2 mm	170.7 mm	83.5 mm
HID-PV E 70 /I CDM 220-240V	4.8 mm	34.7 mm	189.2 mm	170.7 mm	83.5 mm

