



# PrimaVision Economy (35 and 70 W) for CDM – The cost- effective solution

## PrimaVision Economy for CDM lamps

Single CDM lamp operation, single HID electronic gear – improves cost effectiveness and increases luminaire design flexibility

### Benefits

- Cost-effective, plus design flexibility
- Optimal lamp performance thanks to minimal lamp power tolerance
- Lamp life increased by up to 30% for CDM lamps

### Features

- Minimal lamp power spread
- Low gear energy losses
- Lamp end-of-life detection
- High Tambient and Tcase temperatures
- Lifetime of 40,000 hours

### Application

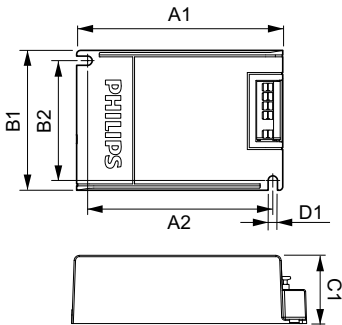
- 35 and 70 W: accent and decorative lighting for shops, public spaces, lobbies and offices
- Suitable for indoor use only
- Available in standard (S) and independent (I) versions

# PrimaVision Economy for CDM lamps

## Versions



## Dimensional drawing



Product	D1	C1	A1	A2	B1	B2
HID-PV E 35 /S CDM 220-240V	4.9 mm	32.2 mm	109.6 mm	98.5 mm	74.4 mm	63.7 mm
HID-PV E 70 /S CDM 220-240V	4.9 mm	32.2 mm	109.6 mm	98.5 mm	74.4 mm	63.7 mm

### Operating and Electrical

Input Frequency	50 to 60 Hz
Input Voltage	220 to 240 V

### General Information

Number Of Lamps	1 piece/unit
Lamp Type	CDM

### Mechanical and Housing

Housing	/S
---------	----

## General Information

Order Code	Full Product Name	Number Of Products On MCB (16A Type B) (Nom)
913700680766	HID-PV E 35 /S CDM 220-240V	24

Order Code	Full Product Name	Number Of Products On MCB (16A Type B) (Nom)
913700680966	HID-PV E 70 /S CDM 220-240V	20

## System characteristics

Order Code	Full Product Name	Rated Ballast-Lamp Power
913700680766	HID-PV E 35 /S CDM 220-240V	35 W

Order Code	Full Product Name	Rated Ballast-Lamp Power
913700680966	HID-PV E 70 /S CDM 220-240V	70 W

## PrimaVision Economy for CDM lamps

