

HID-PrimaVision (Xtreme) for CDM Elite MW - Xtreme drivers for the highest reliability

PrimaVision for CDM Elite MW

Highly reliable electronic drivers for medium-wattage lamps (210-400 W); designed to save energy via integrated one-step dimming and to reduce maintenance costs thanks to 80,000-hour lifetime and integrated lightning protection

Benefits

- Most efficient white-light system in the industry in its power range
- Designed to minimize maintenance costs in outdoor lighting thanks to the 80,000-hour lifetime and integrated
- lightning protection
- Same energy consumption and smooth driving of the lamp regardless of fluctuations in the mains voltage

Features

- Up to 92% system efficiency
- Standard 4 kV/2 kV common/differential mode surge protection
- Xtreme lifetime 80,000 hours (90% survival $T_c = 80\text{ }^\circ\text{C}$)
- Optional 5 kA / 10 kV lightning strike protection
- 95-97% accuracy on power stabilization if mains voltage remains between 180 and 300 V

PrimaVision for CDM Elite MW

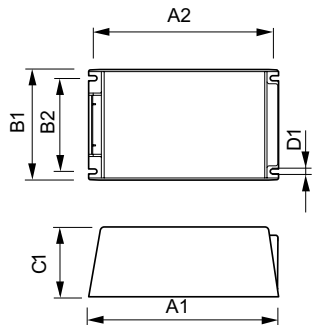
Application

- High-bay shop lighting
- Flood and area lighting
- Road lighting and petrol stations
- Offices and industry

Versions



Dimensional drawing



Product	D1	C1	A1	A2	B1	B2
HID-PV 315 /S CDM 220-240V 50/60Hz	4.2 mm	60.0 mm	215.0 mm	204.5 mm	128.5 mm	111.5 mm

