



High quality and robust performance

PrimaVision Compact for CDM

High-quality, compact and lightweight HID electronic gear for optimal and reliable performance of 20, 35, 50 and 70 W CDM lamps

优点

- Optimal lamp performance thanks to minimal lamp power tolerance
- CDM lamp life increased by up to 30%
- Eliminates all visible lamp flicker

特点

- Minimal lamp power spread
- Low gear energy losses
- Lamp end-of-life detection
- High Tambient and Tcase temperatures
- Long lifetime of 40,000 hours

应用

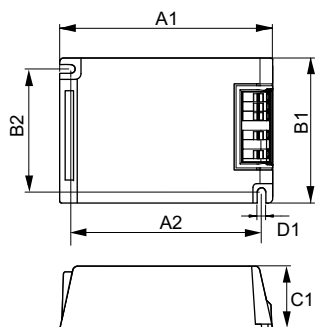
- Accent and decorative lighting for shops, public spaces, lobbies and offices
- Suitable for indoor use only

PrimaVision Compact for CDM

Versions



二维绘图



Product	D1	C1	A1	A2	B1	B2
HID-PV C 35 /S CDM	4.9 mm	32.2	109.6	98.5	74.4	63.7
220-240V 50/60Hz NG		mm	mm	mm	mm	mm

