



HID-PrimaVision Xtreme for CPO - Xtreme drivers for the highest reliability

PrimaVision Xtreme for CPO

Highly reliable electronic drivers for CPO lamps; designed to save energy by offering better light efficiency than magnetic drivers and to reduce maintenance costs thanks to 80,000-hour lifetime and integrated lightning protection

Benefits

- Together with the CPO lamp the driver creates the most efficient white-light system in the industry in its power range
- Up to 15% energy saving due to the high driver efficiency (92%) and better wattage control at overvoltage (compared with magnetic ballasts)
- Minimizes maintenance cost due to the Xtreme lifetime of 80,000 hours and integrated lightning protection

Features

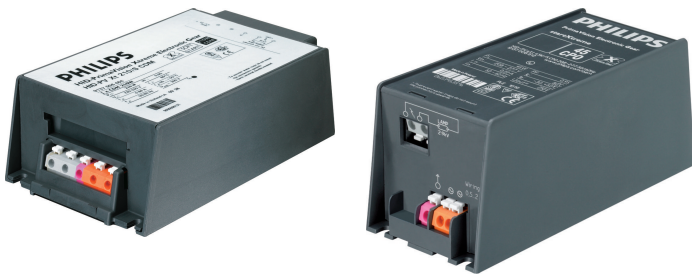
- Xtreme long lifetime of 80,000 hours, with minimum 90% survival at $T_c = 80\text{ }^\circ\text{C}$)
- Xtreme lightning protection 10 kV/5 kA
- Xtreme protection against humidity and vibration
- Better lighting efficiency than magnetic ballasts
- Accurate lamp power stabilization of 95-97% over wide mains-voltage range of 180-300 V

PrimaVision Xtreme for CPO

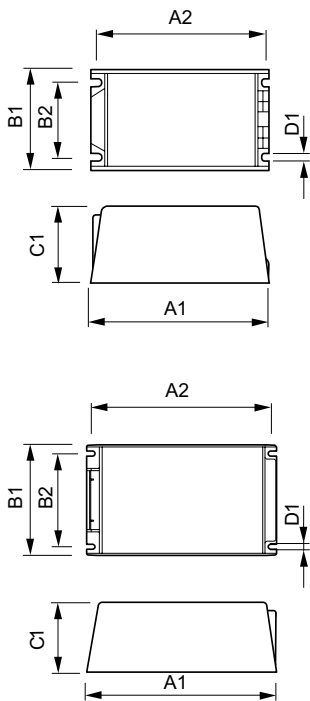
Application

- Residential lighting
- City beautification
- Road/highway lighting

Versions



Dimensional drawing



Product	D1	C1	A1	A2	B1	B2
HID-PV Xt 140 CPO	5.0 mm	65.0	150.0	135.9	65.0	46.8
C1 208-277V		mm	mm	mm	mm	mm
HID-PV Xt 90 CPO C1	5.0 mm	65.0	150.0	135.9	65.0	46.8
208-277V		mm	mm	mm	mm	mm

Product	D1	C1	A1	A2	B1	B2
HID-PV Xt 210	4.8 mm	58.0	169.0	156.0	100.0	81.5
CDMe/CPO C2		mm	mm	mm	mm	mm
208-277V						

PrimaVision Xtreme for CPO

Controls and Dimming

Regulating Level	-
------------------	---

Operating and Electrical

Input Frequency	50 to 60 Hz
Input Voltage	208-240-277 V

General Information

Number Of Lamps	1 piece/unit
-----------------	--------------

General Information

Order Code	Full Product Name	Number Of Products On MCB (16A Type B)	
		(Nom)	Lamp Type
21993400	HID-PV Xt 210 CDMe/CPO C2 208-277V	13	CDMe/CPO

Order Code	Full Product Name	Number Of Products On MCB (16A Type B)	
		(Nom)	Lamp Type
19844400	HID-PV Xt 90 CPO C1 208-277V	5	CPO
19848200	HID-PV Xt 140 CPO C1 208-277V	5	CPO

Mechanical and Housing

Order Code	Full Product Name	Housing
21993400	HID-PV Xt 210 CDMe/CPO C2 208-277V	C2
19844400	HID-PV Xt 90 CPO C1 208-277V	C1

Order Code	Full Product Name	Housing
19848200	HID-PV Xt 140 CPO C1 208-277V	C1

System characteristics

Order Code	Full Product Name	Lamp Power		
		On CDMe/CPO	Lamp Power On CPO	Rated Ballast- Lamp Power
21993400	HID-PV Xt 210 CDMe/CPO C2 208-277V	210 W	-	210 W
19844400	HID-PV Xt 90 CPO C1 208-277V	-	90 W	90 W

Order Code	Full Product Name	Lamp Power		
		On CDMe/CPO	Lamp Power On CPO	Rated Ballast- Lamp Power
19848200	HID-PV Xt 140 CPO C1 208-277V	-	140 W	140 W

