



PrimaVision Power (100W & 150W) for CDM – High power packed in a small size

PrimaVision Power for CDM

PrimaVision Power gear is designed for optimal performance of 100 and 150 W CDM lamps – ideal where high-intensity light is key.

Benefits

- Optimal lamp performance thanks to minimal lamp power tolerance
- Lamp life increased by up to 30% for CDM lamps
- Eliminates all visible lamp flicker

Features

- Loop Through feature (in independent version)
- Low gear energy losses
- Lamp end-of-life detection
- High Tambient and Tcase temperatures
- Long lifetime of 40,000 hours

Application

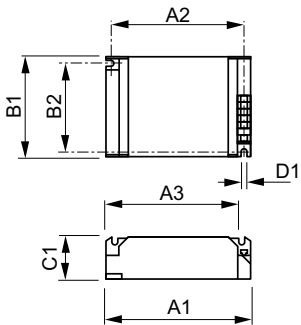
- 100 and 150 W: high-bay area, accent and decorative lighting for shops, public spaces, lobbies and offices
- Suitable for indoor use only

PrimaVision Power for CDM

Versions



Dimensional drawing



Product	D1	C1	A1	A2	B1	B2
HID-PV C 150 /S CDM 220-240V 50/60Hz	4.8 mm	32.0 mm	135.0 mm	123.5 mm	75.0 mm	63.5 mm

