



# PrimaVision SDW-TG (50W & 100W) for SDW-TG - High quality and robust performance

## PrimaVision for SDW-TG

Robust, lightweight and one-piece HID electronic gear for SDW-TG lamps (mini White SON) Lightweight, one-piece electronic gear for 50 and 100 W SDW-TG lamps (mini White SON)

### Benefits

- Optimal lamp performance thanks to minimal lamp power tolerance
- Reduces colour differences between lamps and initial lumen spread
- Performance is independent of mains voltage

### Features

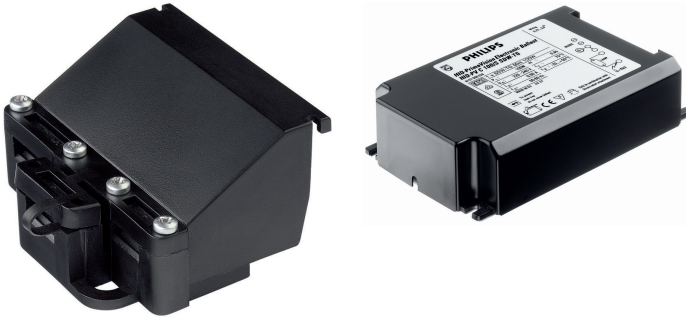
- Available as Standard (/S) version for use in a luminaire, or with separate strain relief for independent use on a (false) ceiling
- Minimal lamp power spread
- Lamp end-of-life detection
- High Tambient and Tcase temperatures
- Long lifetime of 40,000 hours

### Application

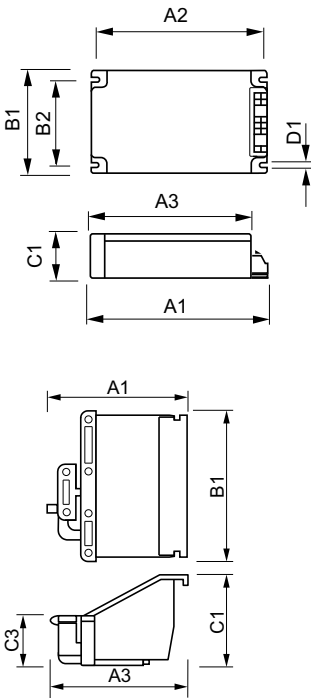
- Shop lighting, for a cozy atmosphere (e.g. in furniture shops) and excellent display of fresh goods (e.g. in butcher's shops, bakeries, florists)
- Suitable for indoor use only

# PrimaVision for SDW-TG

## Versions



## Dimensional drawing



Product	D1	C1	A1	A2	B1	B2
HID-PV 100 /S SDW-	4.5 mm	37.0	150.0	133.6	90.0	70.0
TG 220-240V		mm	mm	mm	mm	mm
50/60Hz						

Product	C1	C3	A1	A3	B1
HID-STRAIN RELIEF	30 mm	16 mm	40 mm	40 mm	62 mm

## General Information

Order Code	Full Product Name	Number Of Products On MCB (16A Type B) (Nom)	Number Of Lamps	Lamp Type
53986130	HID-STRAIN RELIEF	-	-	-

Order Code	Full Product Name	Number Of Products On MCB (16A Type B) (Nom)	Number Of Lamps	Lamp Type
88754900	HID-PV 100 /S SDW-TG 220-240V 50/60Hz	14	1 piece/unit	SDW-TG

## Operating and Electrical

Order Code	Full Product Name	Input Frequency	Input Voltage
53986130	HID-STRAIN RELIEF	-	-

## PrimaVision for SDW-TG

Order Code	Full Product Name	Input Frequency	Input Voltage
88754900	HID-PV 100 /S SDW-TG 220-240V 50/60Hz	50 to 60 Hz	220 to 240 V

### Mechanical and Housing

Order Code	Full Product Name	Housing
53986130	HID-STRAIN RELIEF	-

Order Code	Full Product Name	Housing
88754900	HID-PV 100 /S SDW-TG 220-240V 50/60Hz	/S

### System characteristics

Order Code	Full Product Name	Rated Ballast-Lamp Power
53986130	HID-STRAIN RELIEF	-

Order Code	Full Product Name	Rated Ballast-Lamp Power
88754900	HID-PV 100 /S SDW-TG 220-240V 50/60Hz	100 W

