



Essential LEDtube - Affordable LED solution

Essential LEDtube

Essential LEDtube is an affordable LED tube that is suitable for replacing T8 fluorescent lamps. The product provides a natural lighting effect for use in general lighting applications, as well as instant energy savings – an environmentally friendly solution.

Benefits

- Reduced electricity costs thanks to significant energy savings
- Longer lifetime minimizes re-lamping for reduced maintenance costs
- A better choice for the environment – no mercury

Features

- Affordable LED replacement for T8 fluorescent lamps
- Energy consumption less than half that of normal fluorescent lamps
- 25,000 hours lifetime, double that of normal fluorescent lamps
- No mercury; glass-free tube – no breakage concerns

Application

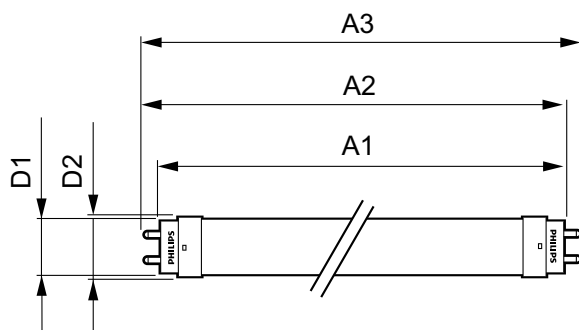
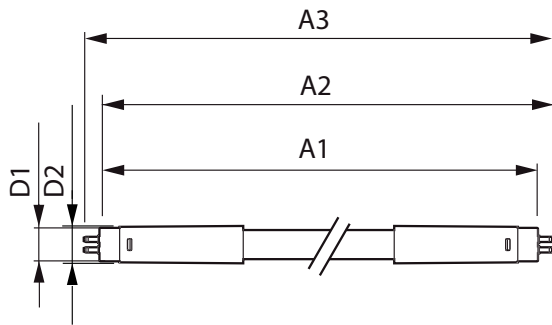
- Retail, offices
- Industry, warehouses, public places, schools, hospitals, car parks

Essential LEDtube

Versions



Dimensional drawing



Product	D1	D2	A1	A2	A3
ESSENTIAL LEDtube 1200mm 16W865 G5 I APR	15.8 mm	19 mm	1149 mm	1156.1 mm	1163.2 mm
ESSENTIAL LEDtube 1200mm 16W840 G5 I APR	15.8 mm	19 mm	1149 mm	1156.1 mm	1163.2 mm
ESSENTIAL LEDtube 600mm 8W865 G5 I APR	15.8 mm	19 mm	549 mm	556.1 mm	563.2 mm
ESSENTIAL LEDtube 600mm 8W840 G5 I APR	15.8 mm	19 mm	549 mm	556.1 mm	563.2 mm

Product	D1	D2	A1	A2	A3	C	D
LEDtube 600mm 8W 765 T8 AP I G	25.68 mm	28 mm	588.5 mm	595.5 mm	602.5 mm	602.5 mm	27.8 mm
LEDtube 1200mm 16W 765 T8 AP I G	25.68 mm	28 mm	1198 mm	1205 mm	1212 mm	1212 mm	27.8 mm
ESSENTIAL LEDtube HO 1200mm 18W865T8 AP	25.7 mm	28 mm	1198 mm	1205 mm	1212 mm		

Essential LEDtube

Controls and Dimming

Dimmable	No
----------	----

Operating and Electrical

Input Frequency	50 to 60 Hz
Starting Time (Nom)	0.5 s

Light Technical

Llmf At End Of Nominal Lifetime (Nom)	70 %
---------------------------------------	------

Temperature

T-Ambient (Max)	45 °C
T-Ambient (Min)	-20 °C
T-Storage (Max)	65 °C
T-Storage (Min)	-40 °C

Approval and Application

Order Code	Full Product Name	Energy Consumption kWh/1000 h	Energy Efficiency Label (EEL)
929001184638	LEDtube 1200mm 16W 765 T8 AP I G	16 kWh	A+
929001184838	LEDtube 600mm 8W 765 T8 AP I G	8 kWh	A+
929001380708	CorePro LEDtube 600mm 8W840 G5 I APR	8 kWh	A++
929001380808	CorePro LEDtube 600mm 8W865 G5 I APR	8 kWh	A++
929001381008	CorePro LEDtube 1200mm 16W840 G5 I APR	16 kWh	A++
929001381108	CorePro LEDtube 1200mm 16W865 G5 I APR	16 kWh	A++
929001383508	CorePro LEDtube HO 1200mm 18W865T8 AP	18 kWh	A+

Operating and Electrical

Order Code	Full Product Name	Voltage (Nom)	Power (Rated) (Nom)
929001184638	LEDtube 1200mm 16W 765 T8 AP I G	220-240 V	16 W
929001184838	LEDtube 600mm 8W 765 T8 AP I G	220-240 V	8 W
929001380708	CorePro LEDtube 600mm 8W840 G5 I APR	100-240 V	8 W
929001380808	CorePro LEDtube 600mm 8W865 G5 I APR	100-240 V	8 W

Order Code	Full Product Name	Voltage (Nom)	Power (Rated) (Nom)
929001381008	CorePro LEDtube 1200mm 16W840 G5 I APR	100-240 V	16 W
929001381108	CorePro LEDtube 1200mm 16W865 G5 I APR	100-240 V	16 W
929001383508	CorePro LEDtube HO 1200mm 18W865T8 AP	220-240 V	18 W

General Information

Order Code	Full Product Name	Cap-Base	Nominal Lifetime (Nom)	Rated Lifetime (Hours)	Switching Cycle
929001184638	LEDtube 1200mm 16W 765 T8 AP I G	G13	15000 h	15000 h	50000X
929001184838	LEDtube 600mm 8W 765 T8 AP I G	G13	15000 h	15000 h	50000X
929001380708	CorePro LEDtube 600mm 8W840 G5 I APR	G5	30000 h	30000 h	50000X
929001380808	CorePro LEDtube 600mm 8W865 G5 I APR	G5	30000 h	30000 h	50000X

Order Code	Full Product Name	Cap-Base	Nominal Lifetime (Nom)	Rated Lifetime (Hours)	Switching Cycle
929001381008	CorePro LEDtube 1200mm 16W840 G5 I APR	G5	30000 h	30000 h	50000X
929001381108	CorePro LEDtube 1200mm 16W865 G5 I APR	G5	30000 h	30000 h	50000X
929001383508	CorePro LEDtube HO 1200mm 18W865T8 AP	G13	30000 h	30000 h	200000X

Light Technical (1/2)

Essential LEDtube

Order Code	Full Product Name	Colour Code	Correlated Colour	Colour Rendering	Luminous Flux (Nom)
			Temperature (Nom)	Index (Nom)	
929001184638	LEDtube 1200mm 16W 765 T8 AP I G	765	6500 K	73	1600 lm
929001184838	LEDtube 600mm 8W 765 T8 AP I G	765	6500 K	73	800 lm
929001380708	CorePro LEDtube 600mm 8W840 G5 I APR	840	4000 K	80	1050 lm
929001380808	CorePro LEDtube 600mm 8W865 G5 I APR	865	6500 K	80	1050 lm

Order Code	Full Product Name	Colour Code	Correlated Colour	Colour Rendering	Luminous Flux (Nom)
			Temperature (Nom)	Index (Nom)	
929001381008	CorePro LEDtube 1200mm 16W840 G5 I APR	840	4000 K	80	2100 lm
929001381108	CorePro LEDtube 1200mm 16W865 G5 I APR	865	6500 K	80	2100 lm
929001383508	CorePro LEDtube HO 1200mm 18W865T8 AP	865	6500 K	80	2100 lm

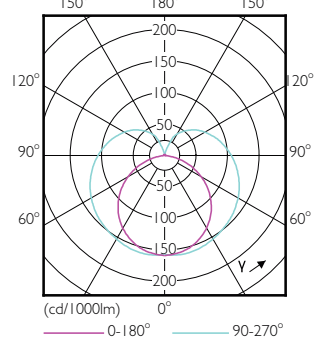
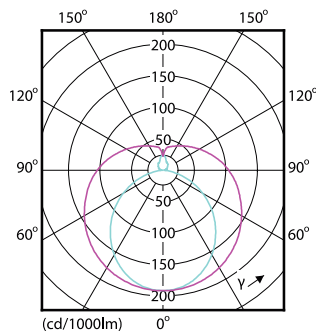
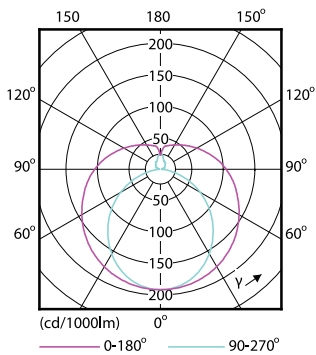
Light Technical (2/2)

Order Code	Full Product Name	Luminous Flux (Rated) (Nom)
929001184638	LEDtube 1200mm 16W 765 T8 AP I G	1600 lm
929001184838	LEDtube 600mm 8W 765 T8 AP I G	800 lm
929001380708	CorePro LEDtube 600mm 8W840 G5 I APR	1050 lm
929001380808	CorePro LEDtube 600mm 8W865 G5 I APR	1050 lm

Order Code	Full Product Name	Luminous Flux (Rated) (Nom)
929001381008	CorePro LEDtube 1200mm 16W840 G5 I APR	2100 lm
929001381108	CorePro LEDtube 1200mm 16W865 G5 I APR	2100 lm
929001383508	CorePro LEDtube HO 1200mm 18W865T8 AP	2100 lm

Temperature

Order Code	Full Product Name	T-Case Maximum (Nom)
929001184638	LEDtube 1200mm 16W 765 T8 AP I G	60 °C
929001184838	LEDtube 600mm 8W 765 T8 AP I G	60 °C
929001380708	CorePro LEDtube 600mm 8W840 G5 I APR	70 °C
929001380808	CorePro LEDtube 600mm 8W865 G5 I APR	70 °C
929001381008	CorePro LEDtube 1200mm 16W840 G5 I APR	70 °C
929001381108	CorePro LEDtube 1200mm 16W865 G5 I APR	70 °C
929001383508	CorePro LEDtube HO 1200mm 18W865T8 AP	65 °C



Essential LEDtube

