



Essential LEDtube - Affordable LED solution

Essential LEDtube

Essential LEDtube is an affordable LED tube that is suitable for replacing T8 fluorescent lamps. The product provides a natural lighting effect for use in general lighting applications, as well as instant energy savings – an environmentally friendly solution.

Benefits

- Reduced electricity costs thanks to significant energy savings
- Longer lifetime minimizes re-lamping for reduced maintenance costs
- A better choice for the environment – no mercury

Features

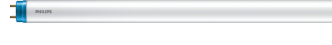
- Affordable LED replacement for T8 fluorescent lamps
- Energy consumption less than half that of normal fluorescent lamps
- 25,000 hours lifetime, double that of normal fluorescent lamps
- No mercury; glass-free tube – no breakage concerns

Application

- Retail, offices
- Industry, warehouses, public places, schools, hospitals, car parks

Essential LEDtube

Versions

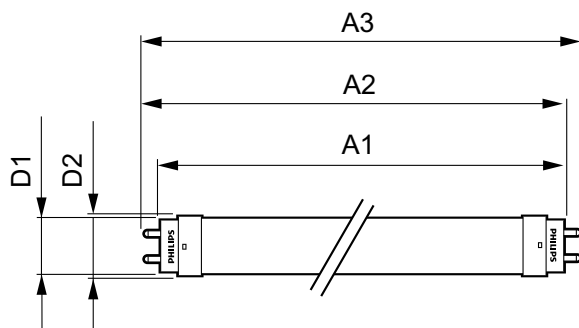
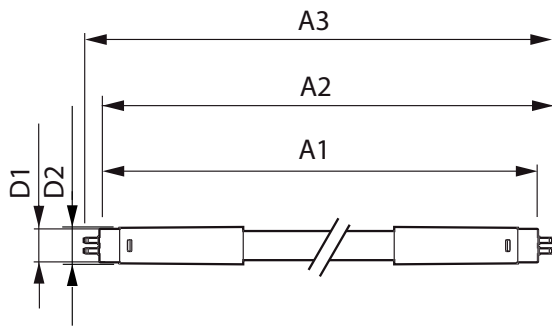


G13

G5

G13

Dimensional drawing



| Product | D1 | D2 | A1 | A2 | A3 |
|--|---------|-------|---------|-----------|-----------|
| ESSENTIAL LEDtube 1200mm 16W865 G5 I APR | 15.8 mm | 19 mm | 1149 mm | 1156.1 mm | 1163.2 mm |
| ESSENTIAL LEDtube 1200mm 16W830 G5 I APR | 15.8 mm | 19 mm | 1149 mm | 1156.1 mm | 1163.2 mm |
| ESSENTIAL LEDtube 1200mm 16W840 G5 I APR | 15.8 mm | 19 mm | 1149 mm | 1156.1 mm | 1163.2 mm |
| ESSENTIAL LEDtube 600mm 8W865 G5 I APR | 15.8 mm | 19 mm | 549 mm | 556.1 mm | 563.2 mm |
| ESSENTIAL LEDtube 600mm 8W830 G5 I APR | 15.8 mm | 19 mm | 549 mm | 556.1 mm | 563.2 mm |
| ESSENTIAL LEDtube 600mm 8W840 G5 I APR | 15.8 mm | 19 mm | 549 mm | 556.1 mm | 563.2 mm |

| Product | D1 | D2 | A1 | A2 | A3 | C | D |
|---|----------|-------|----------|----------|----------|----------|---------|
| LEDtube 600mm 8W 765 T8 AP I G | 25.68 mm | 28 mm | 588.5 mm | 595.5 mm | 602.5 mm | 602.5 mm | 27.8 mm |
| LEDtube 1200mm 16W 740 T8 AP I G | 25.68 mm | 28 mm | 1198 mm | 1205 mm | 1212 mm | 1212 mm | 27.8 mm |
| LEDtube 600mm 8W 740 T8 AP I G | 25.68 mm | 28 mm | 588.5 mm | 595.5 mm | 602.5 mm | 602.5 mm | 27.8 mm |
| LEDtube 1200mm 16W 765 T8 AP I G | 25.68 mm | 28 mm | 1198 mm | 1205 mm | 1212 mm | 1212 mm | 27.8 mm |
| LEDtube HO 600mm 10W 765 T8 AP I G | 25.7 mm | 28 mm | 588.5 mm | 595.5 mm | 602.5 mm | 602.5 mm | 27.8 mm |
| LEDtube HO 1200mm 20W 765 T8 AP I G | 25.7 mm | 28 mm | 1198 mm | 1205 mm | 1212 mm | 1212 mm | 27.8 mm |
| LEDtube HO 600mm 10W 740 T8 AP I G | 25.7 mm | 28 mm | 588.5 mm | 595.5 mm | 602.5 mm | 602.5 mm | 27.8 mm |
| LEDtube HO 1200mm 20W 740 T8 AP I G | 25.7 mm | 28 mm | 1198 mm | 1205 mm | 1212 mm | 1212 mm | 27.8 mm |
| ESSENTIAL LEDtube HO 1200mm 18W865T8 AP | 25.7 mm | 28 mm | 1198 mm | 1205 mm | 1212 mm | 1212 mm | 27.8 mm |

Essential LEDtube

Controls and Dimming

| | |
|----------|----|
| Dimmable | No |
|----------|----|

Operating and Electrical

| | |
|---------------------|-------------|
| Input Frequency | 50 to 60 Hz |
| Starting Time (Nom) | 0.5 s |

Light Technical

| | |
|---------------------------------------|------|
| Llmf At End Of Nominal Lifetime (Nom) | 70 % |
|---------------------------------------|------|

Temperature

| | |
|-----------------|--------|
| T-Ambient (Max) | 45 °C |
| T-Ambient (Min) | -20 °C |
| T-Storage (Max) | 65 °C |
| T-Storage (Min) | -40 °C |

Approval and Application

| Order Code | Full Product Name | Energy Consumption kWh/1000 h | Energy Efficiency Label (EEL) |
|--------------|--|-------------------------------|-------------------------------|
| 929001184538 | LEDtube 1200mm 16W 740 T8 AP I G | 16 kWh | A+ |
| 929001184638 | LEDtube 1200mm 16W 765 T8 AP I G | 16 kWh | A+ |
| 929001184738 | LEDtube 600mm 8W 740 T8 AP I G | 8 kWh | A+ |
| 929001184838 | LEDtube 600mm 8W 765 T8 AP I G | 8 kWh | A+ |
| 929001277208 | LEDtube HO 1200mm 20W 740 T8 AP I G | 20 kWh | A+ |
| 929001277308 | LEDtube HO 1200mm 20W 765 T8 AP I G | 20 kWh | A+ |
| 929001277408 | LEDtube HO 600mm 10W 740 T8 AP I G | 10 kWh | A+ |
| 929001277508 | LEDtube HO 600mm 10W 765 T8 AP I G | 10 kWh | A+ |
| 929001380608 | ESSENTIAL LEDtube 600mm 8W830 G5 I APR | 8 kWh | A++ |
| 929001380708 | ESSENTIAL LEDtube 600mm 8W840 G5 I APR | 8 kWh | A++ |
| 929001380808 | ESSENTIAL LEDtube 600mm 8W865 G5 I APR | 8 kWh | A++ |
| 929001380908 | ESSENTIAL LEDtube 1200mm 16W830 G5 I APR | 16 kWh | A++ |
| 929001381008 | ESSENTIAL LEDtube 1200mm 16W840 G5 I APR | 16 kWh | A++ |
| 929001381108 | ESSENTIAL LEDtube 1200mm 16W865 G5 I APR | 16 kWh | A++ |
| 929001383508 | CorePro LEDtube HO 1200mm 18W865T8 AP | 18 kWh | A+ |

Operating and Electrical

| Order Code | Full Product Name | Voltage (Nom) | Power (Rated) (Nom) |
|--------------|--|---------------|---------------------|
| 929001184538 | LEDtube 1200mm 16W 740 T8 AP I G | 220-240 V | 16 W |
| 929001184638 | LEDtube 1200mm 16W 765 T8 AP I G | 220-240 V | 16 W |
| 929001184738 | LEDtube 600mm 8W 740 T8 AP I G | 220-240 V | 8 W |
| 929001184838 | LEDtube 600mm 8W 765 T8 AP I G | 220-240 V | 8 W |
| 929001277208 | LEDtube HO 1200mm 20W 740 T8 AP I G | 220-240 V | 20 W |
| 929001277308 | LEDtube HO 1200mm 20W 765 T8 AP I G | 220-240 V | 20 W |
| 929001277408 | LEDtube HO 600mm 10W 740 T8 AP I G | 220-240 V | 10 W |
| 929001277508 | LEDtube HO 600mm 10W 765 T8 AP I G | 220-240 V | 10 W |
| 929001380608 | ESSENTIAL LEDtube 600mm 8W830 G5 I APR | 100-240 V | 8 W |

| Order Code | Full Product Name | Voltage (Nom) | Power (Rated) (Nom) |
|--------------|--|---------------|---------------------|
| 929001380708 | ESSENTIAL LEDtube 600mm 8W840 G5 I APR | 100-240 V | 8 W |
| 929001380808 | ESSENTIAL LEDtube 600mm 8W865 G5 I APR | 100-240 V | 8 W |
| 929001380908 | ESSENTIAL LEDtube 1200mm 16W830 G5 I APR | 100-240 V | 16 W |
| 929001381008 | ESSENTIAL LEDtube 1200mm 16W840 G5 I APR | 100-240 V | 16 W |
| 929001381108 | ESSENTIAL LEDtube 1200mm 16W865 G5 I APR | 100-240 V | 16 W |
| 929001383508 | CorePro LEDtube HO 1200mm 18W865T8 AP | 220-240 V | 18 W |

General Information

| Order Code | Full Product Name | Cap-Base | Nominal Lifetime (Nom) | Rated Lifetime (Hours) | Switching Cycle |
|--------------|----------------------------------|----------|------------------------|------------------------|-----------------|
| 929001184538 | LEDtube 1200mm 16W 740 T8 AP I G | G13 | 15000 h | 15000 h | 50000X |
| 929001184638 | LEDtube 1200mm 16W 765 T8 AP I G | G13 | 15000 h | 15000 h | 50000X |
| 929001184738 | LEDtube 600mm 8W 740 T8 AP I G | G13 | 15000 h | 15000 h | 50000X |

| Order Code | Full Product Name | Cap-Base | Nominal Lifetime (Nom) | Rated Lifetime (Hours) | Switching Cycle |
|--------------|-------------------------------------|----------|------------------------|------------------------|-----------------|
| 929001184838 | LEDtube 600mm 8W 765 T8 AP I G | G13 | 15000 h | 15000 h | 50000X |
| 929001277208 | LEDtube HO 1200mm 20W 740 T8 AP I G | G13 | 15000 h | 15000 h | 50000X |
| 929001277308 | LEDtube HO 1200mm 20W 765 T8 AP I G | G13 | 15000 h | 15000 h | 50000X |

Essential LEDtube

| Order Code | Full Product Name | Cap-Base | Nominal Lifetime (Nom) | Rated Lifetime (Hours) | Switching Cycle |
|--------------|--|----------|------------------------|------------------------|-----------------|
| 929001277408 | LEDtube HO 600mm 10W 740 T8 AP I G | G13 | 15000 h | 15000 h | 50000X |
| 929001277508 | LEDtube HO 600mm 10W 765 T8 AP I G | G13 | 15000 h | 15000 h | 50000X |
| 929001380608 | ESSENTIAL LEDtube 600mm 8W830 G5 I APR | G5 | 30000 h | 30000 h | 50000X |
| 929001380708 | ESSENTIAL LEDtube 600mm 8W840 G5 I APR | G5 | 30000 h | 30000 h | 50000X |
| 929001380808 | ESSENTIAL LEDtube 600mm 8W865 G5 I APR | G5 | 30000 h | 30000 h | 50000X |

| Order Code | Full Product Name | Cap-Base | Nominal Lifetime (Nom) | Rated Lifetime (Hours) | Switching Cycle |
|--------------|--|----------|------------------------|------------------------|-----------------|
| 929001380908 | ESSENTIAL LEDtube 1200mm 16W830 G5 I APR | G5 | 30000 h | 30000 h | 50000X |
| 929001381008 | ESSENTIAL LEDtube 1200mm 16W840 G5 I APR | G5 | 30000 h | 30000 h | 50000X |
| 929001381108 | ESSENTIAL LEDtube 1200mm 16W865 G5 I APR | G5 | 30000 h | 30000 h | 50000X |
| 929001383508 | CorePro LEDtube HO 1200mm 18W865T8 AP | G13 | 30000 h | 30000 h | 200000X |

Light Technical (1/2)

| Order Code | Full Product Name | Color Code | Correlated Color Temperature (Nom) | Color Rendering Index (Nom) | Luminous Flux (Nom) |
|--------------|--|------------|------------------------------------|-----------------------------|---------------------|
| 929001184538 | LEDtube 1200mm 16W 740 T8 AP I G | 740 | 4000 K | 73 | 1600 lm |
| 929001184638 | LEDtube 1200mm 16W 765 T8 AP I G | 765 | 6500 K | 73 | 1600 lm |
| 929001184738 | LEDtube 600mm 8W 740 T8 AP I G | 740 | 4000 K | 73 | 800 lm |
| 929001184838 | LEDtube 600mm 8W 765 T8 AP I G | 765 | 6500 K | 73 | 800 lm |
| 929001277208 | LEDtube HO 1200mm 20W 740 T8 AP I G | 740 | 4000 K | 70 | 2100 lm |
| 929001277308 | LEDtube HO 1200mm 20W 765 T8 AP I G | 765 | 6500 K | 70 | 2100 lm |
| 929001277408 | LEDtube HO 600mm 10W 740 T8 AP I G | 740 | 4000 K | 70 | 1050 lm |
| 929001277508 | LEDtube HO 600mm 10W 765 T8 AP I G | 765 | 6500 K | 70 | 1050 lm |
| 929001380608 | ESSENTIAL LEDtube 600mm 8W830 G5 I APR | 830 | 3000 K | 80 | 1000 lm |

| Order Code | Full Product Name | Color Code | Correlated Color Temperature (Nom) | Color Rendering Index (Nom) | Luminous Flux (Nom) |
|--------------|--|------------|------------------------------------|-----------------------------|---------------------|
| 929001380708 | ESSENTIAL LEDtube 600mm 8W840 G5 I APR | 841 | 4000 K | 80 | 1050 lm |
| 929001380808 | ESSENTIAL LEDtube 600mm 8W865 G5 I APR | 865 | 6500 K | 80 | 1050 lm |
| 929001380908 | ESSENTIAL LEDtube 1200mm 16W830 G5 I APR | 830 | 3000 K | 80 | 2000 lm |
| 929001381008 | ESSENTIAL LEDtube 1200mm 16W840 G5 I APR | 841 | 4000 K | 80 | 2100 lm |
| 929001381108 | ESSENTIAL LEDtube 1200mm 16W865 G5 I APR | 865 | 6500 K | 80 | 2100 lm |
| 929001383508 | CorePro LEDtube HO 1200mm 18W865T8 AP | 865 | 6500 K | 80 | 2100 lm |

Light Technical (2/2)

| Order Code | Full Product Name | Luminous Flux (Rated) (Nom) |
|--------------|----------------------------------|-----------------------------|
| 929001184538 | LEDtube 1200mm 16W 740 T8 AP I G | 1600 lm |

| Order Code | Full Product Name | Luminous Flux (Rated) (Nom) |
|--------------|----------------------------------|-----------------------------|
| 929001184638 | LEDtube 1200mm 16W 765 T8 AP I G | 1600 lm |

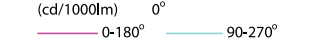
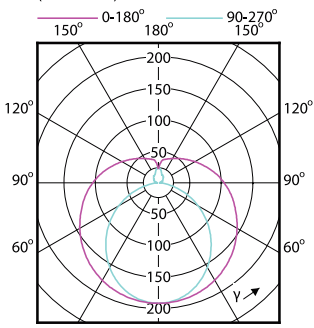
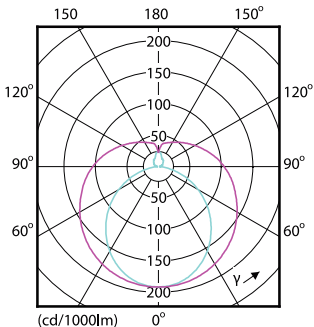
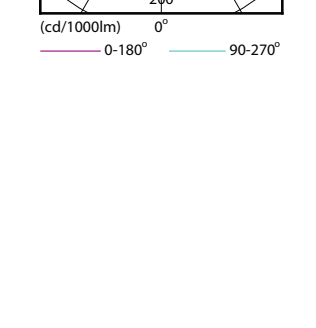
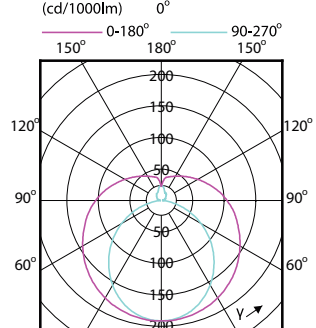
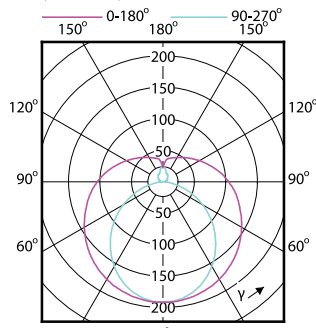
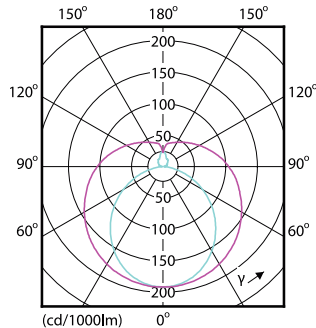
Essential LEDtube

| Order Code | Full Product Name | Luminous Flux (Rated) (Nom) |
|--------------|--|-----------------------------|
| 929001184738 | LEDtube 600mm 8W 740 T8 AP I G | 800 lm |
| 929001184838 | LEDtube 600mm 8W 765 T8 AP I G | 800 lm |
| 929001277208 | LEDtube HO 1200mm 20W 740 T8 AP I G | 2100 lm |
| 929001277308 | LEDtube HO 1200mm 20W 765 T8 AP I G | 2100 lm |
| 929001277408 | LEDtube HO 600mm 10W 740 T8 AP I G | 1050 lm |
| 929001277508 | LEDtube HO 600mm 10W 765 T8 AP I G | 1050 lm |
| 929001380608 | ESSENTIAL LEDtube 600mm 8W830 G5 I APR | 1000 lm |

| Order Code | Full Product Name | Luminous Flux (Rated) (Nom) |
|--------------|--|-----------------------------|
| 929001380708 | ESSENTIAL LEDtube 600mm 8W840 G5 I APR | 1050 lm |
| 929001380808 | ESSENTIAL LEDtube 600mm 8W865 G5 I APR | 1050 lm |
| 929001380908 | ESSENTIAL LEDtube 1200mm 16W830 G5 I APR | 2000 lm |
| 929001381008 | ESSENTIAL LEDtube 1200mm 16W840 G5 I APR | 2100 lm |
| 929001381108 | ESSENTIAL LEDtube 1200mm 16W865 G5 I APR | 2100 lm |
| 929001383508 | CorePro LEDtube HO 1200mm 18W865T8 AP | 2100 lm |

Temperature

| Order Code | Full Product Name | T-Case Maximum (Nom) |
|--------------|--|----------------------|
| 929001184538 | LEDtube 1200mm 16W 740 T8 AP I G | 60 °C |
| 929001184638 | LEDtube 1200mm 16W 765 T8 AP I G | 60 °C |
| 929001184738 | LEDtube 600mm 8W 740 T8 AP I G | 60 °C |
| 929001184838 | LEDtube 600mm 8W 765 T8 AP I G | 60 °C |
| 929001277208 | LEDtube HO 1200mm 20W 740 T8 AP I G | 65 °C |
| 929001277308 | LEDtube HO 1200mm 20W 765 T8 AP I G | 65 °C |
| 929001277408 | LEDtube HO 600mm 10W 740 T8 AP I G | 65 °C |
| 929001277508 | LEDtube HO 600mm 10W 765 T8 AP I G | 65 °C |
| 929001380608 | ESSENTIAL LEDtube 600mm 8W830 G5 I APR | 70 °C |
| 929001380708 | ESSENTIAL LEDtube 600mm 8W840 G5 I APR | 70 °C |
| 929001380808 | ESSENTIAL LEDtube 600mm 8W865 G5 I APR | 70 °C |
| 929001380908 | ESSENTIAL LEDtube 1200mm 16W830 G5 I APR | 70 °C |
| 929001381008 | ESSENTIAL LEDtube 1200mm 16W840 G5 I APR | 70 °C |
| 929001381108 | ESSENTIAL LEDtube 1200mm 16W865 G5 I APR | 70 °C |
| 929001383508 | CorePro LEDtube HO 1200mm 18W865T8 AP | 65 °C |



Essential LEDtube

