



Product Description

Aluline 111

Low-voltage halogen reflector lamp with high-purity aluminium reflector of 111 mm

Benefits

- Glare free, well defined accent lighting with minimum amount of direct glare from the lamp

Features

- Metal cap to shield filament to reduce glare and improve beam shape
- G53 socket and screw or tab terminals allowing for direct wire connection with imating eyelet or receptacle
- UV-block quartz glass

Application

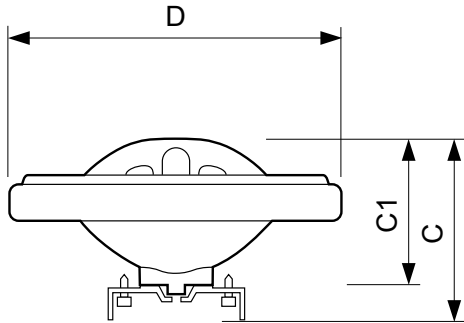
- Excellent light source for general lighting and especially creative accent lighting in shops, restaurants, hotels, galleries, exhibitions and museums

Versions

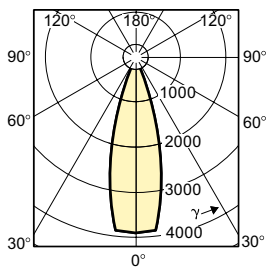


Aluline 111

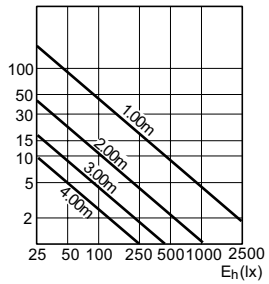
Dimensional drawing



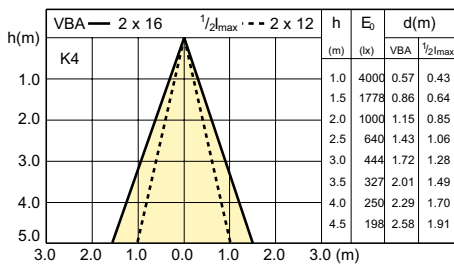
Product	D (max)	C (max)	C1 (max)
Alu111 50W 4000h G53 12V 24D 1CT/6	111 mm	67 mm	51 mm



Accent Diagrams



Beam Diagrams



LDBE_HALUACN_50W_24D-Beam diagram

