



HDK900 Phoenix

Phoenix HDK900

A sturdy long lasting quality electrical gear housing of compact and elegant design, suitable to give together with a range of reflector types and attachments, the right solution for low and high bay lighting requirement.

Features

- It is designed to incorporate low and medium wattage HID lamps
- The gear housing can be combined with standard Philips aluminium reflector and a range of acrylic reflectors.
- For use with any of the following HID lamps: 250W or 400W – HPL-N, SON or HPI-BU (S) lamps.
- The wattage range between 150 – 400 watt for HID lamps. 1000W HID on request
- Coloured gear housings are possible upon request
- The aluminium material is of heat, corrosion and UV resistant type
- The luminaire is delivered standard in unpainted version. Painted versions are available upon request
- IP65 ingress protection rating in the gear housing is secured through the use of a neoprene gasket between the housing.
- The gear box uses Philips standard ballasts and is using silicone cable to improve resistance against the heat inside the housing.
- The luminaire is suitable for indoor and semi-outdoor use at an ambient temperature of max 45°C.
- Luminaires in combination with narrow beam reflectors are ideal for lighting in very highhalls, or halls with high obstacles and or high machines.
- Luminaires in combination with wide beam reflectors are suited for relatively low halls and areas where vertical illuminance is required.
- Luminaires in combination with acrylic refractors are ideal when uplighting is required.
- Each reflector can be fitted with a glass-dust cover for applications industry and humid areas.
- Emergency lighting halogen lamp can be installed for emergency lighting, only available on request.

Phoenix HDK900

Application

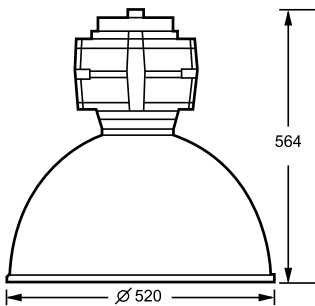
- Industrial areas
- Sports halls
- Commercial areas or other large halls requiring luminaires, suitable for high mounting ceiling.

Versions

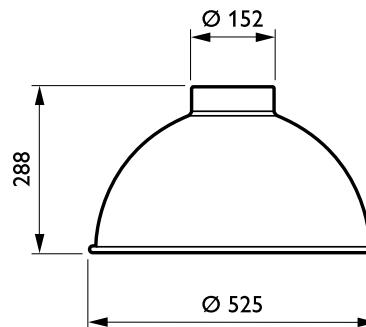
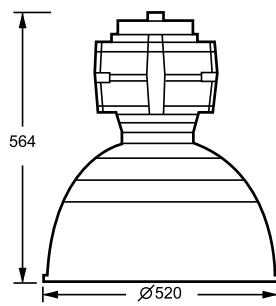


Phoenix HDK/MDK/SDK900 highbay luminaire

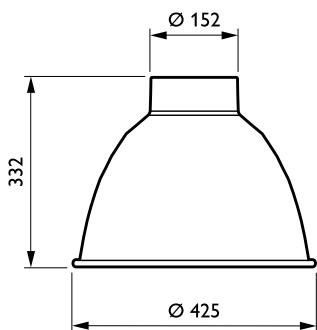
Dimensional drawing



Phoenix HDK/MDK/SDK900



Phoenix acc. GPK900



Phoenix acc. GPK900

Phoenix HDK900

Accessories



Ordercode 910225102480

Approval and Application

Ingress protection code IP54

Operating and Electrical

Input Voltage 220

General Information

Compensation circuit Inductive parallel compensated

Country version CN

Gear CONV

Lamp family code HPI-P

Number of light sources 1

Optic type No

General Information

order code	Lamp power	Product Family Code	Lamp system description
910401240480	400	-	Base-Up/internal Starter (BUS)
910401240780	250	MDK900	Base-Up (BU)

