



HF-Essential for TL5/TL-D

HF-Essential for TL5/TL-D

Essentially smart and reliable. HF-Essential is the most cost-effective, slim and affordable ballast to reliably operate a fluorescent lamp. It is also the ideal entry-level product for EM system users who want to enjoy the benefits offered by electronic ballasts. The cost-saving and reliable HF-Essential has an energy efficiency class A2, and its robust design meets all relevant international safety and performance standards. HF-Essential is intended for use with indoor lighting fixtures such as recessed luminaires, which are largely used in office, industrial, hotel, restaurant and other applications.

Benefits

- Automatic restart (after voltage dip or lamp replacement) ensures easy operation and hassle-free re-lamping
- DC emergency operation and EMC compliant to EN 55015 2006 + A1 2007
- Suitable for luminaires in protection class I and, after testing, class II

Features

- Complies with CE and Kema
- Robust design for 45,000 hours lifetime at $T_a=50\text{ }^\circ\text{C}$ and over 6,000 on/off switching operations on one lamp
- Energy efficiency class: A2
- Failure rate of 0.3% per 1,000 hours at $T_c \text{ max} = 75\text{ }^\circ\text{C}$
- Igniter and capacitor not required; flicker-free and noiseless

Application

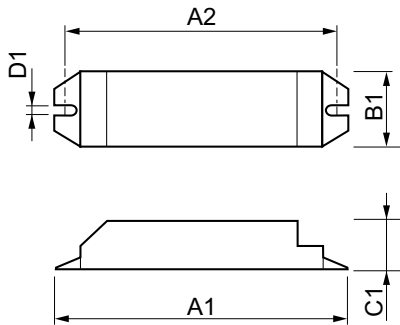
- Ideal for applications where there is a need to reduce the wattage per square meter or to reduce operating costs
- Indoor applications such as office buildings, hospitals, supermarkets, department stores, homes and schools

HF-Essential for TL5/TL-D

Versions



Dimensional drawing



Product	D1	C1	A1	A2	B1
HF-E 118 TL-D 220-240 50/60Hz	4.2 mm	28.0 mm	150.0 mm	136.0 mm	40.0 mm
HF-E 136 TL-D 220-240 50/60Hz	4.2 mm	28.0 mm	150.0 mm	136.0 mm	40.0 mm
HF-E 236 TL-D 220-240 50/60Hz	4.2 mm	30.0 mm	211.0 mm	197.0 mm	40.0 mm
HF-E 418 TL-D 220-240 50/60Hz	4.2 mm	30.0 mm	211.0 mm	197.0 mm	40.0 mm

Operating and Electrical

Input Frequency	50 to 60 Hz
Input Voltage	220 to 240 V
Line Frequency	50 to 60 Hz

Approval and Application

Energy Efficiency Index	A2
-------------------------	----

Mechanical and Housing

Order Code	Full Product Name	Housing
66865700	HF-E 118 TL-D 220-240 50/60Hz	L 150x40x28
66867100	HF-E 136 TL-D 220-240 50/60Hz	L 150x40x28

Order Code	Full Product Name	Housing
66873200	HF-E 236 TL-D 220-240 50/60Hz	L211x40x30
66877000	HF-E 418 TL-D 220-240 50/60Hz	L211x40x30

HF-Essential for TL5/TL-D

