

An energy-efficient solution

HF-Performer III for TL5 lamps

HF-Performer III TL5 is a sustainable, slim and high-frequency electronic ballast for TL5 and TL5 Eco fluorescent lamps. It is ideal for applications where high energy efficiency is required. The HF-Performer III range has a robust design, meets all relevant international safety and performance standards and is energy-efficient (CELMA EEI A2 BAT).

Benefits

- Optimal savings can be achieved using HF-PIII together with TL5 ECO lamps (system solution).
- The programmed start enables the lamp to be switched on and off without reducing useful lamp life.
- DC emergency operation in line with IEC/EN 60598-2-22 luminaire norms
- Suitable for luminaires in protection class I and, after testing, class II

Features

- 50,000-hour lifetime at maximum case temperature, combined with over 60,000 on/off switches on one lamp
- Programmed, flicker-free, pre-heated start (< 1.0 s) which allows the lamp to be switched on and off without reducing useful lamp life
- Active power factor correction to ensure constant light, irrespective of mains-voltage fluctuations
- The unit is protected against excessive mains voltage and incorrect connections
- The universal connector Wago 251 offers the flexibility for horizontal-manual or push-in robot wiring or vertical ALF-robot wiring.

HF-Performer III for TL5 lamps

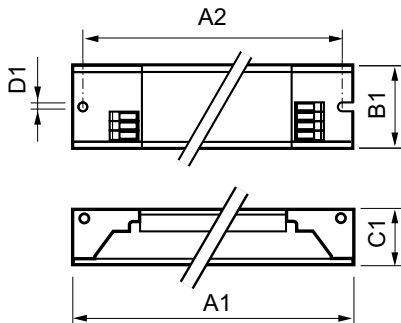
Application

- Used with movement-detection control systems like Philips OccuPlus
- Indoor applications, such as office buildings, hospitals, supermarkets, department stores, industrial premises and schools
- Class I outdoor applications, e.g. industrial premises and parking lot

Versions



Dimensional drawing



Product	D1	C1	A1	A2	B1
HF-P 114-35 TL5 HE III 220-240V	4.2 mm	22.0 mm	360.0 mm	350.0 mm	30.0 mm
HF-P 149 TL5 HO III 220-240V 50/60Hz IDC	4.2 mm	22.0 mm	360.0 mm	350.0 mm	30.0 mm
HF-P 214-35 TL5 HE III 220-240V	4.2 mm	22.0 mm	360.0 mm	350.0 mm	30.0 mm

Approval and Application

Energy Efficiency Index A2 BAT

Operating and Electrical

Input Frequency 50 to 60 Hz
Input Voltage 220 to 240 V

Emergency Operation

Emergency Ballast Lumen Factor (EBLF) (Nom) 100 %

General Information

Number Of Products On MCB (16A Type B) (Nom) 28

Mechanical and Housing

Housing L360x30x22

HF-Performer III for TL5 lamps

General Information

Order Code	Full Product Name	Number Of Lamps	Lamp Type	Order Code	Full Product Name	Number Of Lamps	Lamp Type
913713028066	HF-P 149 TL5 HO III 220-240V 50/60Hz IDC	1 piece/unit	TL5 HO	913713031066	HF-P 1 14-35 TL5 HE III 220-240V	1 piece/unit	TL5 HE
				913713031166	HF-P 2 14-35 TL5 HE III 220-240V	2 piece/unit	TL5 HE

System characteristics

Order Code	Full Product Name	Lamp			Rated
		Power On TL5	Power On TL5 ECO	Power On TL5 HE	Ballast-Lamp Power
913713028066	HF-P 149 TL5 HO III 220-240V 50/60Hz IDC	54.5 W	48.5 W	-	49 W
913713031066	HF-P 1 14-35 TL5 HE III 220-240V	-	-	14.0/36.5 W	14-35 W

Order Code	Full Product Name	Lamp			Rated
		Power On TL5	Power On TL5 ECO	Power On TL5 HE	Ballast-Lamp Power
913713031166	HF-P 2 14-35 TL5 HE III 220-240V	-	-	28.0/70.0 W	14-35 W

