

Unsurpassed energy-efficient and long-lasting solution

HF-Performer III for TL5 lamps

HF-Performer III TL5 ballasts offer maximum versatility and meet all of the necessary commercial grade specifications. They also offer the added benefits of lamp striation reduction technology, making these ballasts compatible with energy-saving TL5 ECO lamps. As such, these ballasts are part of an overall high-efficiency lighting system that may help you or your customers to achieve any international or local energy code you need to comply with. HF-Performer III TL5 ballasts are the ideal choice for a broad range of new construction and retrofit applications within the commercial sector, including general surface mounting or office lighting, parking garages, warehouses, waterproof and other applications.

Benefits

- Exceptional energy efficiency with striation-reduction technology in lighting systems at lower temperatures
- Maximum reliability in system operation
- Multi-power technology for precise operation of multiple lamp types of various wattages

Features

- Highest CELMA Energy Efficiency Index A2 BAT
- Complies with CE, ENEC, EL, VDE-EMC, CCC marks of conformity
- Average nominal service lifetime over 100,000 hours (at Ta 50 °C) with a failure rate $\leq 0.1\%$ per 1,000 hours)
- Optimized lamp preheating for over 50,000 On/Off switch operations without replacement of lamps

HF-Performer III for TL5 lamps

Application

- Suitable for DC operation and emergency lighting installations; full compliance with requirements for emergency lighting according to EN 61347-2-3 -annex J
- Extended lamp life in frequent-switching applications, e.g. where occupancy sensors or motion detectors are used
- For luminaires of protection class I and protection class II used in office buildings, hospitals, supermarkets, department stores, industrial premises and schools

Versions



HF-P 154/155 TL5 HO/PLL III
220-240V IDC

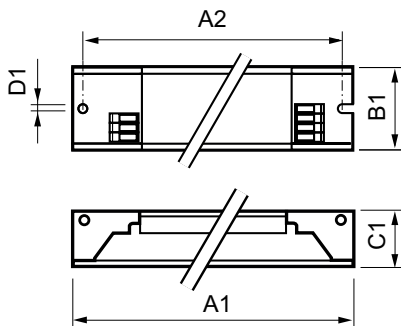


HF-P 2 14-35 TL5 HE III 220-240V
50/60Hz



HF-P 149 TL5 HO III 220-240V
50/60Hz IDC

Dimensional drawing



Product	D1	C1	A1	A2	B1
HF-P 2 14-35 TL5 HE III 220-240V	4.2 mm	22.0 mm	360.0 mm	350.0 mm	30.0 mm
HF-P 1 24/39 TL5 III 220-240V 50/60Hz	4.2 mm	21.0 mm	360.0 mm	350.0 mm	30.0 mm
HF-P 154/155 TL5 HO/PLL III 220-240V IDC	4.2 mm	22.0 mm	360.0 mm	350.0 mm	30.0 mm

HF-Performer III for TL5 lamps

Approval and Application

Energy Efficiency Index A2 BAT

Operating and Electrical

Input Frequency 50 to 60 Hz

Input Voltage 220 to 240 V

Emergency Operation

Emergency Ballast Lumen Factor (EBLF) (Nom) 100 %

General Information

Number Of Products On MCB (16A Type B) (Nom) 28

General Information

Order Code	Full Product Name	Number Of Lamps	Lamp Type
913713028266	HF-P 154/155 TL5 HO/PLL III 220-240V IDC	1 piece/unit	TL5/PL-L
913713031166	HF-P 2 14-35 TL5 HE III 220-240V	2 piece/unit	TL5 HE

Order Code	Full Product Name	Number Of Lamps	Lamp Type
913713034066	HF-P 1 24/39 TL5 III 220-240V 50/60Hz	1 piece/unit	TL5/PL-L

Mechanical and Housing

Order Code	Full Product Name	Housing
913713028266	HF-P 154/155 TL5 HO/PLL III 220-240V IDC	L360x30x22
913713031166	HF-P 2 14-35 TL5 HE III 220-240V	L360x30x22

Order Code	Full Product Name	Housing
913713034066	HF-P 1 24/39 TL5 III 220-240V 50/60Hz	L 360x30x21

System characteristics

Order Code	Full Product Name	Lamp Power On PL-L	Lamp Power On TL5	Lamp Power On TL5 ECO	Lamp Power On TL5 HE	Lamp Power On TL5 HO	Rated Ballast-Lamp Power
913713028266	HF-P 154/155 TL5 HO/PLL III 220-240V IDC	51.5W@55 W	53 W@54 W	51W@50 W	-	-	54/55 W
913713031166	HF-P 2 14-35 TL5 HE III 220-240V	-	-	-	28.0/70.0 W	-	14-35 W
913713034066	HF-P 1 24/39 TL5 III 220-240V 50/60Hz	39.3W@40 W	-	20.5W@1x20 W; 32.5W@1x34 W	-	25W@1x24 W; 35W@1x39 W	24/39 W

