



產品說明

HF-Performer III for TL-D lamps

環保永續、節能效率，TL-D 螢光燈管專用高頻電子安定器

优点

- Exceptional energy efficiency with striation-reduction technology in lighting systems at lower temperatures
- Maximum reliability in system operation
- Provides extended lamp life in frequent-switching applications

特点

- Highest CELMA Energy Efficiency Index A2 BAT
- Complies with CE, ENEC, EL, VDE-EMC, CCC marks of conformity
- Average nominal service lifetime over 100,000 hours (at Ta 50 °C) with a failure rate ≤ 0.1 % per 1,000 hours)
- Optimized lamp preheating for over 50,000 On/Off switch operations without replacement of lamps

应用

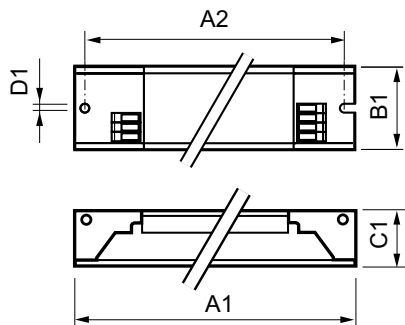
- 適合強調高省電效率的照明應用
- 配合動作偵測控制系統使用，如飛利浦 Philips OccuPlus
- 辦公大樓、醫院、超市、百貨公司、學校
- 等級 I 戶外照明應用，例如工業場所和停車場
- 緊急照明應用

HF-Performer III for TL-D lamps

Versions



二维绘图



Product	D1	C1	A1	A2	B1
HF-P 158 TL-D III 220-240V 50/60Hz IDC	4.2 mm	28.0 mm	280.0 mm	265.0 mm	30.0 mm

