



Unsurpassed energy-efficient and long-lasting solution

HF-Performer III for TL-D lamps

HF-Performer III TL-D III ballasts offer maximum versatility and meet all of the necessary commercial grade specifications. They also offer the added benefits of lamp striation reduction technology, making these ballasts compatible with energy-saving lamps. As such, these ballasts are part of an overall high-efficiency lighting system that may help you or your customers to achieve any international or local energy code you need to comply with. HF-Performer III TL-D III ballasts are the ideal choice for a broad range of new construction and retrofit applications within the commercial sector, including general surface mounting or office lighting, parking garages, warehouses, waterproof and other applications.

Benefits

- Exceptional energy efficiency with striation-reduction technology in lighting systems at lower temperatures
- Maximum reliability in system operation
- Provides extended lamp life in frequent-switching applications

Features

- Highest CELMA Energy Efficiency Index A2 BAT
- Complies with CE, ENEC, EL, VDE-EMC, CCC marks of conformity
- Average nominal service lifetime over 100,000 hours (at Ta 50 °C) with a failure rate ≤ 0.1 % per 1,000 hours)
- Optimized lamp preheating for over 50,000 On/Off switch operations without replacement of lamps

HF-Performer III for TL-D lamps

Application

- Suitable for DC operation and emergency lighting installations; full compliance with requirements for emergency lighting according to EN 61347-2-3 -annex J
- For applications with high switching activity, e.g. where movement-detection control devices are used
- For luminaires of protection class I and protection class II used in office buildings, hospitals, supermarkets, department stores, industrial premises and schools

Versions

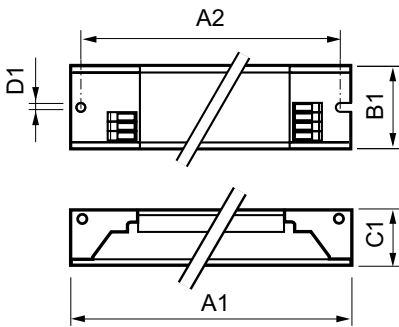


HF-P 136 TL-D III 220-240V 50/60Hz



HF-P 118 TL-D III 220-240V 50/60Hz
IDC

Dimensional drawing



Product	D1	C1	A1	A2	B1
HF-P 118/136 TL-D III 220-240V 50/60 Hz	4.2 mm	28.0 mm	280.0 mm	265.0 mm	30.0 mm
HF-P 336 TL-D III 220-240V 50/60Hz IDC	4.2 mm	28.0 mm	280.0 mm	265.0 mm	40.0 mm

Approval and Application

Energy Efficiency Index A2 BAT

Operating and Electrical

Input Frequency 50 to 60 Hz

Input Voltage 220 to 240 V

Emergency Operation

Emergency Ballast Lumen Factor (EBLF)
(Nom) 100 %

General Information

Lamp Type TL-D

General Information

HF-Performer III for TL-D lamps

Order Code	Full Product Name	Number Of Products	
		On MCB (16A Type B) (Nom)	Number Of Lamps
913713031566	HF-P 118/136 TL-D III 220-240V 50/60 Hz	28	1 piece/unit

Order Code	Full Product Name	Number Of Products	
		On MCB (16A Type B) (Nom)	Number Of Lamps
913713031766	HF-P 336 TL-D III 220-240V 50/60Hz IDC	12	3 piece/unit

Mechanical and Housing

Order Code	Full Product Name	Housing
913713031566	HF-P 118/136 TL-D III 220-240V 50/60 Hz	L 280x30x28

Order Code	Full Product Name	Housing
913713031766	HF-P 336 TL-D III 220-240V 50/60Hz IDC	L 280x40x28

System characteristics

Order Code	Full Product Name	Lamp Power	Lamp Power On	Rated Ballast-
		On PL-L	TL-D	Lamp Power
913713031566	HF-P 118/136 TL-D III 220-240V 50/60 Hz	30.7 W	31.1/16.6 W	36/18 W

Order Code	Full Product Name	Lamp Power	Lamp Power On	Rated Ballast-
		On PL-L	TL-D	Lamp Power
913713031766	HF-P 336 TL-D III 220-240V 50/60Hz IDC	-	100 W	36 W

